

Independent Drive

Authorized Sales & Service
J. HERBERT CORPORATION
Call 1-800-255-0588
407-846-0588 Fax: 846-1066
info@jherbertcorp.com

Visit us online:
www.jherbertcorp.com

Independent Drive System

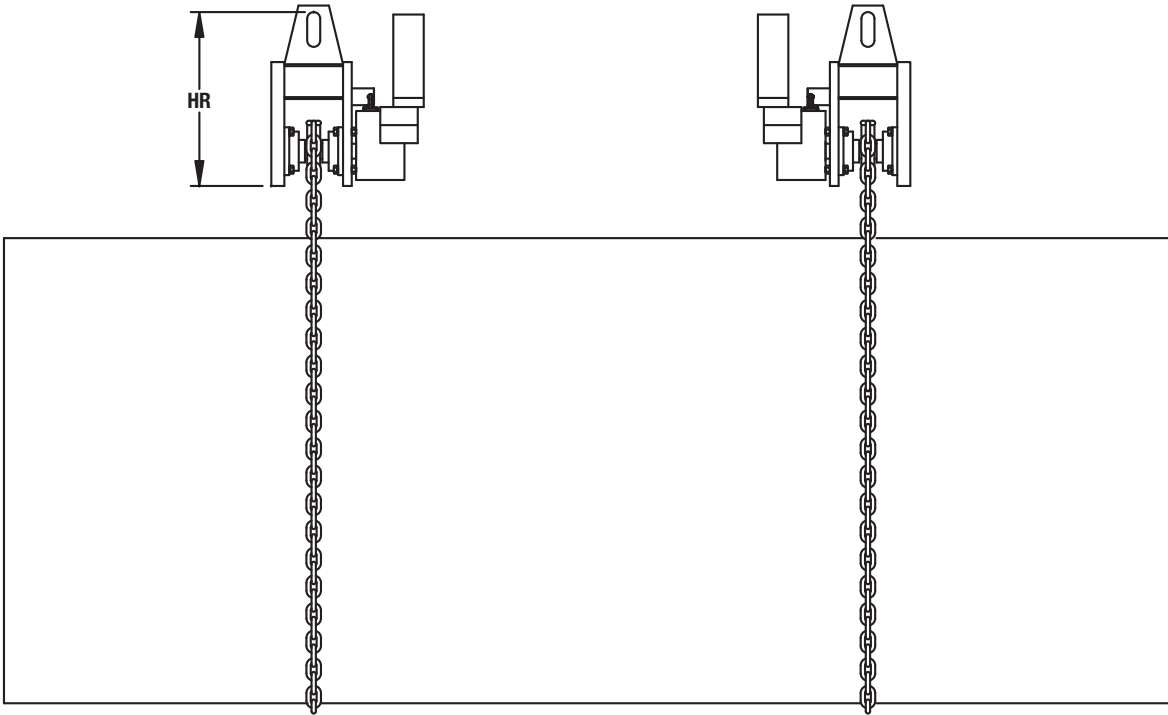


Consists of two powered drive units suspended from two cranes/hoists, with pocketed sheave driving special coil link chain slings that rotate large heavy, bulky items for assembly, welding positioning, and inspection. Drive units can either be operated independently or together, through an operator pendant(s), or remote control.



Independent Drive

To learn how an Independent Drive System can save you time and money, contact us with your application requirements.



PRODUCT FEATURES:

- Two powered drive units for precise control.
- Chain slings have disconnect hardware allowing them to be positioned underneath the load.
- Over travel limit switches prevent chain disconnect hardware from running over chain sprocket.
- Standard models include operator pendant on each unit for independent operation, optional remote control allows for simultaneous operation.

SPECIFICATIONS - Independent Drive

Model Number	Capacity (lbs.)	HR Headroom (in.)	Chain (in.)	Weight Each (lbs.)
2-10ID-0	10000	30	3/8	800
2-20ID-0	20000	40	5/8	1250
2-30ID-0	30000	40	7/8	1600
2-40ID-0	40000	40	7/8	1700
2-60ID-0	60000	40	7/8	1700
2-80ID-0	80000	42	7/8	2000
2-120ID-0	120000	42	1	4000
2-160ID-0	160000	60	1 1/4	5000