

1900 & 2400 Series PowerReel®

Our 1900 Series and 2400 Series PowerReels® handle larger and longer cables and are top-quality, low-cost alternatives to other high-capacity spring reels. These reels offer heavy-duty performance at competitive prices.



1900 Series Reel Shown



1900 and 2400 Series Reels are ideal for:

- Utility trucks
- Large cable-end accessories
- Aviation hangars
- Overhead hoists and cranes (Class A-C)
- Automated material handling
- Truck cranes and ladder trucks

Standard Features

- Excellent performance for industrial indoor and outdoor applications. Built to NEMA 4 standards for wet or dry environments.
- Heavy-duty, all-steel construction
- Two-piece roller guide can be repositioned to four different locations
- Ball stop and ratchet assembly come standard with all "Lift/Drag" models.
- Sealed, lifetime lubricated spring motor canister for easy and safe spring replacement
- A variety of ring amp ratings from 35-150 amps.
- 600 volt rating (1-4 conductors). 250 volts (5 or more conductors) per UL requirements. Operating range: -22°F to 220°F.
- **CSA Certified**

Choosing a 1900-2400 Series Cable Reel:

- Use the Specification Data Sheets on pages 4-5 to determine your needs. Contact the factory for quotations.
- Be sure to specify enough cable - see "Cable Length Needed" on page 5.
- Reels are sized to handle Type SOOW-A, Type W, or Type G-GC cable.

IMPORTANT

If the reel will be paying out and retracting at a very high cycle rate and/or operating in an exceptionally harsh environment you may need Premium Cable - see Appendix VII, page 43 - contact Conductix-Wampfler for details.

Suggested Reel Options For Other Options, see pages 20-31

Option	Purpose	Details on Page:	Spool Size In. (mm)	Part No.
Guide Rail Set	To Protect Spool Flanges	n/a	19 x 5 (483 x 127)	40212A
Guide Rail Set	To Protect Spool Flanges	n/a	24 x 5 (610 x 127)	40212B
Guide Rail Set	To Protect Spool Flanges	n/a	19 x 8 (483 x 203)	40212AA
Guide Rail Set	To Protect Spool Flanges	n/a	24 x 8 (483 x 203)	40212BB
Spool Lock	To Keep the Spool From Rotating	26	n/a	40260A or 40260B
Pivot Base	Allows reel to pivot <360°	24	n/a	40274
Swivel Base	Allows reel to swivel 360°	25	n/a	

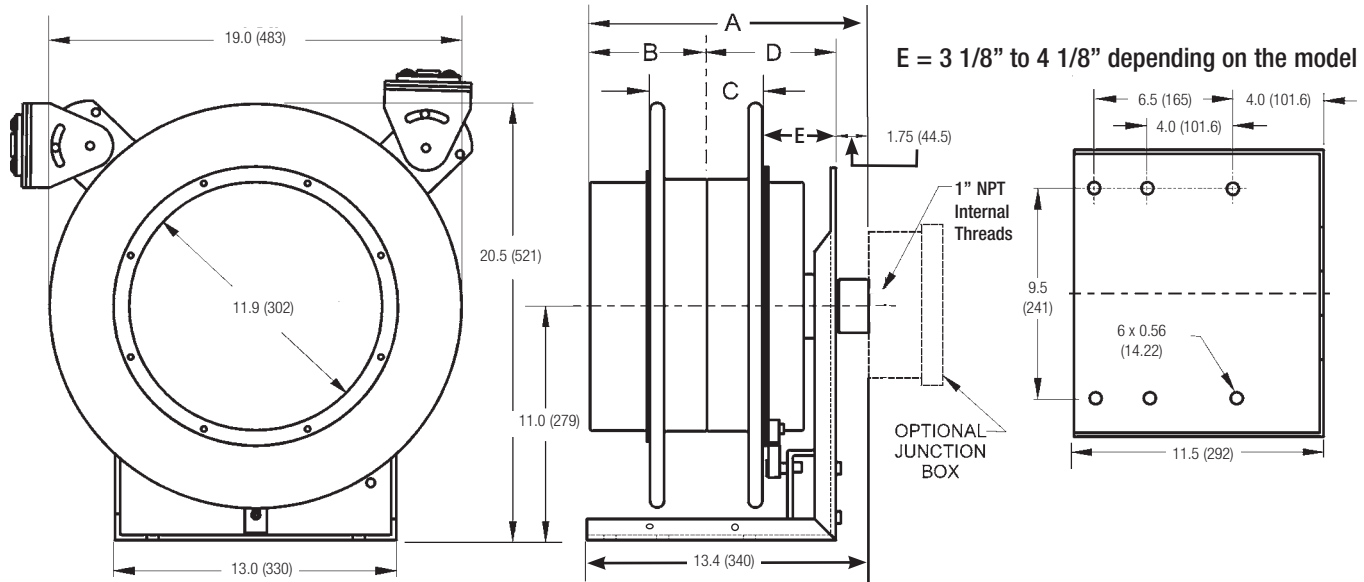
NEMA 4 Junction Boxes

Cable Size	Cable O.D. Inches		Cable O.D. Inches		Cable O.D. Inches	
	w/ 1" NPT	Part No.	w/ 1.25" NPT	Part No.	w/ 1.50" NPT	Part No.
4 Conductor, 16-8 AWG	0.31 - 0.95	40923	n/a	n/a	n/a	n/a
4 Conductor, 6-2 AWG	n/a	n/a	0.875 - 1.245	40924	n/a	n/a
12 Conductor	0.31 - 0.95	40925A	0.875 - 1.245	40925B	n/a	n/a
24 Conductor	0.31 - 0.95	40926A	0.875 - 1.245	40926B	1.156 - 1.495	40926C
30 Conductor	n/a	n/a	0.875 - 1.245	40927B	1.156 - 1.495	40927C

1900 & 2400 Series PowerReel® Dimensions

1900 Series Dimensions

Dimensions A through D will vary depending on the model and can be provided with quote.



2400 Series Dimensions

Dimensions A through D will vary depending on the model and can be provided with quote.

