

Authorized Sales & Service
J. HERBERT CORPORATION
 Call 1-800-255-0588
 407-846-0588 Fax: 846-1066
 info@jherbertcorp.com
 Visit us online:
 www.jherbertcorp.com

DT DIE LIFTING TONGS STANDARD SUPPORT TYPE

PRODUCT FEATURES

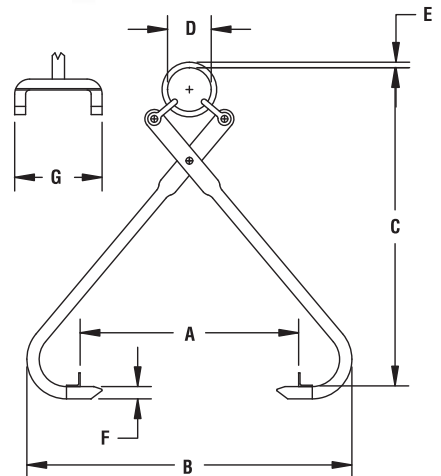
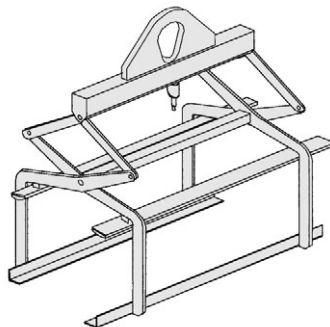
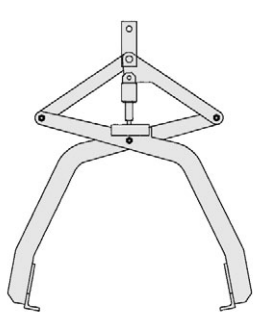
- Broad capacity range.
- Low headroom design.
- Painted safety red.
- Complies with ASME standards.

APPLICATION IDEAS FOR SUPPORTING TONGS

TO LIFT CONSTANT SIZED BOXES,
 CONTAINERS AND CRATES

SUPPORT TONGS are used for constant sized containers. It has an arm design that allows significant height on the lifted item and includes an Auto-Latch mechanism for single person control. This Auto-Latch allows the operator to position, engage, lift, move, place and disengage the lifted item without assistance from another individual or without moving from the crane/hoist control station.

Support Tongs are also available with the Auto-Latch and added length to handle longer loads. The top guide stops simplify the auto-engagement and single operator use.



SPECIFICATIONS

Model Number	Capacity (lbs.)	Dimensions (inches)								Weight (lbs.)
		Max. A	B	C	D	E	F	G	H	
DT120	2000	20	29 3/4	29	4	5/8	1	8	7	29
DT12528	2500	28	40 1/4	39	5	3/4	1 1/4	8	9 1/2	52
DT1538	3000	38	51 3/4	47 1/2	6	7/8	1 1/2	10	10 3/4	86