

# MOTORIZED TROLLEYS



Accolift Motorized Trolleys are rugged in design and built to be flexible right out of the box. Each trolley is adjustable for a beam flange range of 3.25" to 12" with no additional materials required. Side guide rollers are included to promote smooth trolley motion and to minimize wheel and beam flange wear. Wheels are dual tread design for operation on tapered or flat flange beams. Trolleys include drop down lugs and rubber bumpers as standard equipment. Motor includes class F insulation and a disc type motor brake. Motor is rated for 30-minute duty and includes standard thermal protection. Three phase trolleys include a VFD control, 2-button pendant, control transformer and a 30' power cord. Single phase trolleys include a single speed contactor control, 2-button pendant and a 30' power cord.

## Construction Features:

**Motor:** 30-min duty motor with class F insulation, thermal protection and motor brake.

**Three Phase Control:** VFD control programmed for two speed operation.

**Single Phase Control:** Contactor control provided for single speed operation.

**Side Frame:** Side plates are rugged rolled steel.

**Wheels:** Dual tread design for operation on tapered or flat flange beams.

**Bearings:** Shielded, lifetime lubricated, single row ball bearings.

**Suspension Lug:** Pivot mounted suspension lug provides equally distributed load to all wheels.

*Authorized Sales & Service*  
**J. HERBERT CORPORATION**  
 Call 1-800-255-0588  
 407-846-0588 Fax: 846-1066  
 info@jherbertcorp.com  
 Visit us online:  
[www.jherbertcorp.com](http://www.jherbertcorp.com)

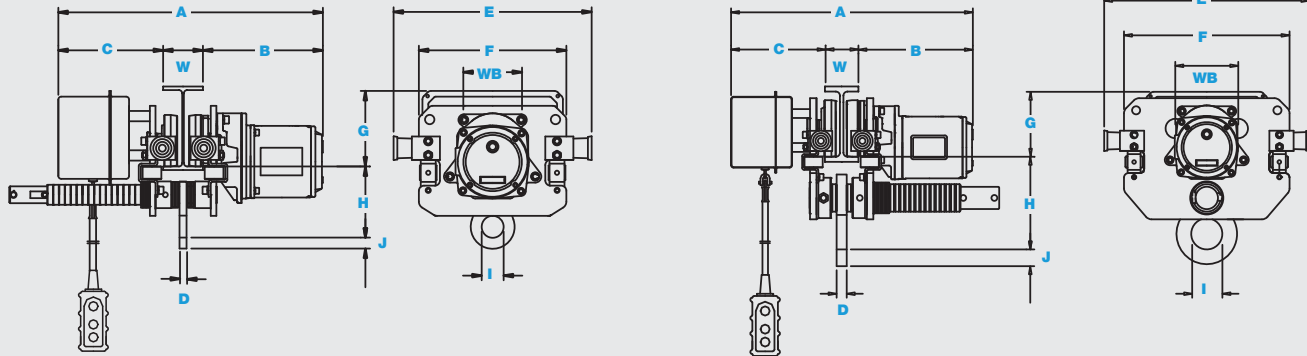
Cap. (Tons)	Model Number	Trolley Speed (fpm)	Push Button Cord Length (ft.)	Power Cord Length (ft.)	Motor				Flange Width Adjustability (in.)	Wheel Diameter	Min. Beam Radius (in.)	Net Wt. (lbs.)
					HP	Amp. Draw						
						115V	208/230V	460V				
1	2130510-VFD	75/25	6	30	0.54	-	3.3/3.0	1.5	3.25 to 12	3.7	32	86
2	2130520-VFD	75/25	6	30	0.54	-	3.3/3.0	1.5	3.25 to 12	4.3	32	101
3	2130530-VFD	65/22	6	30	1	-	4.8/4.4	2.2	3.25 to 12	5	40	165
5	2130550-VFD	65/22	6	30	1	-	4.8/4.4	2.2	3.25 to 12	5.5	72	210

## SINGLE PHASE TROLLEYS:

1	2330510	36	6	30	0.27	7.8	4.3/3.9	-	3.25 to 12	3.7	32	86
2	2330520	36	6	30	0.27	7.8	4.3/3.9	-	3.25 to 12	4.3	32	101

Figure A

Figure B



Dimensions in Inches (Nominal).

Model Number	A W = Beam width	B	C	D	E	F	G	H	I Diameter	J	WB	Figure
2130510-VFD	18.7 + W	10	8.7	0.5	16	11.8	6.5	5.2	1.8	0.8	4.4	A
2130520-VFD	18.9 + W	10.1	8.8	0.6	16.7	12.4	6.4	6	1.8	0.9	4.9	A
2130530-VFD	19.8 + W	10.9	8.9	0.8	18	14.2	6.2	7.2	2.6	1.3	5.5	B
2130550-VFD	20.4 + W	11.2	9.2	1	20	16.1	6.3	9	3	1.4	6.1	B
2330510	18.7 + W	10	8.7	0.5	16	11.8	6.5	5.2	1.8	0.8	4.4	A
2330520	18.9 + W	10.1	8.8	0.6	16.7	12.4	6.4	6	1.8	0.9	4.9	A