

**60**  
years 1954-2014

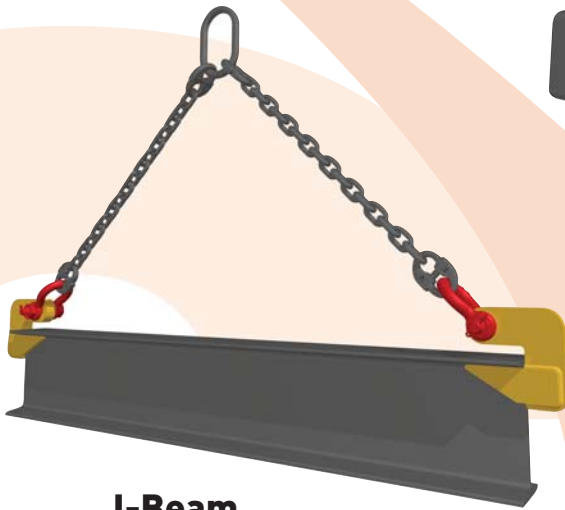
Authorized Sales & Service  
**J. HERBERT CORPORATION**  
Call 1-800-255-0588  
407-846-0588 Fax: 846-1066  
info@jherbertcorp.com  
Visit us online:  
www.jherbertcorp.com

**Caldwell**

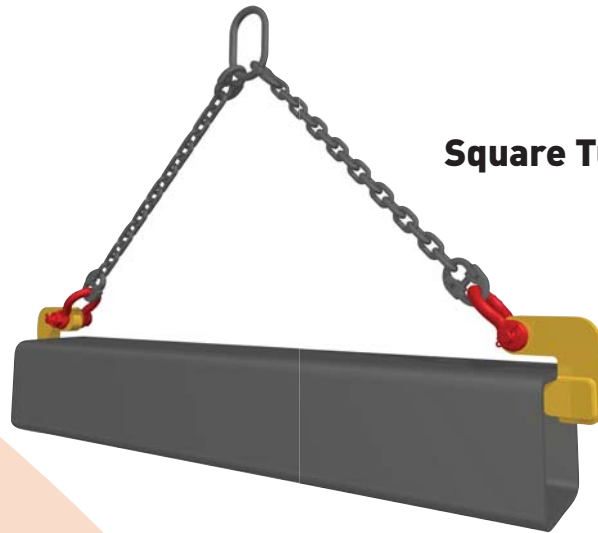
**RIG-MASTER®**

## Load Hooks

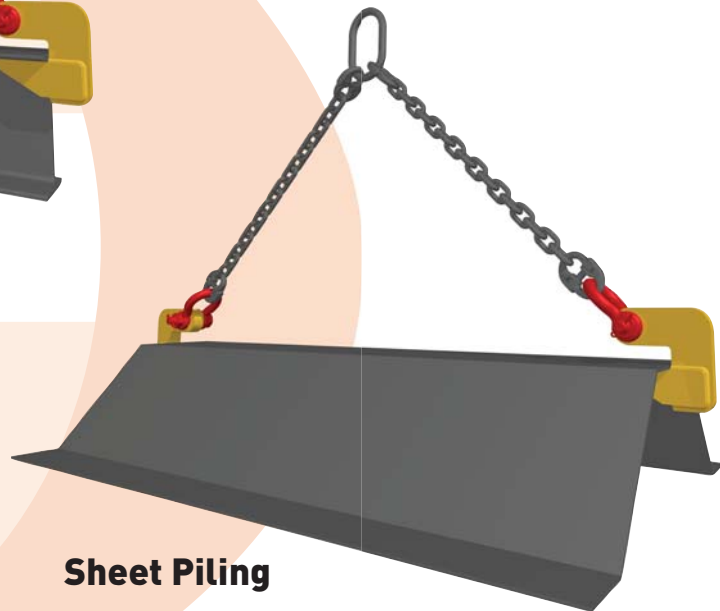
**NEW**



**I-Beam**



**Square Tube**



**Sheet Piling**

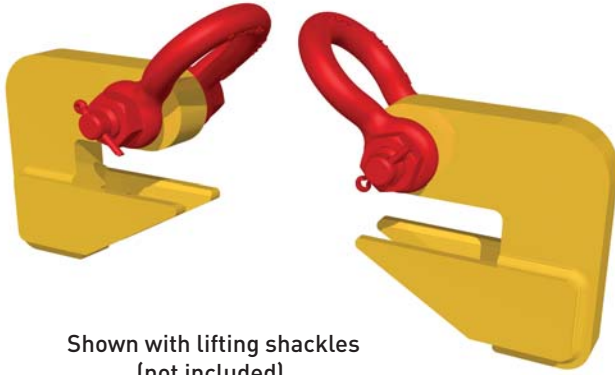
Versatile load hooks are designed to handle a wide range of applications. Unique lifting tines are spaced to accommodate I-Beam web and provide a flat lifting surface to handle other objects such as Sheet Piling, Tube, and Channel. Designed and manufactured to ASME standards.

Caldwell quality. Guaranteed.

[caldwellinc.com](http://caldwellinc.com)



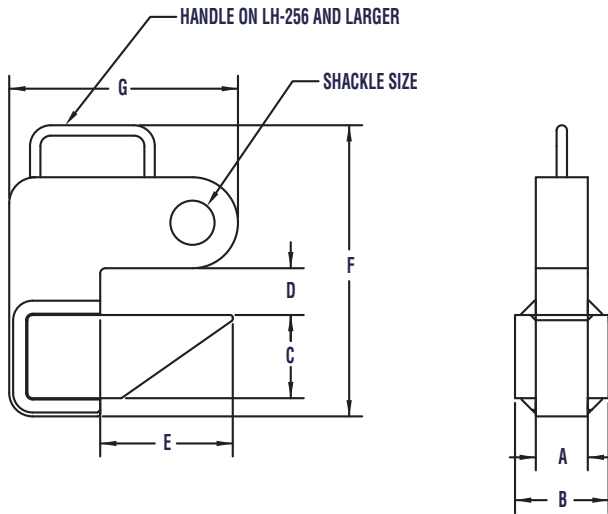
# Load Hooks



Shown with lifting shackles (not included).

### Product Features and Benefits:

- Unique lifting tines are spaced to easily accommodate I-Beam web.
- Flat surface on hooks lifts a wide range of shapes.
- Use in pairs in conjunction with a bridle sling and shackles.
- Capacity shown is for a 45° angle on the lifting system.
- Complies with ASME standards.



Model Number	Capacity Per Pair in Pounds at 45 degrees	Dimensions in inches									Weight Per Pair lbs.
		Shackle Size	Shackle Capacity (tons)	A	B	C	D	E	F	G	
LH-49	4,900	1/2	2	0.56	1.38	1.5	1	2.5	4.4	4.2	3
LH-100	10,000	3/4	4-3/4	0.94	1.75	2	1.25	3.5	5.9	6.8	8
LH-170	17,000	7/8	6-1/2	1.19	2.25	2.25	1.5	3.88	6.7	6.3	11
LH-256	25,600	1 1/8	9-1/2	1.44	2.5	2.88	1.75	4.63	10.4	7.5	20
LH-400	40,000	1 1/2	17	1.94	3.5	3.25	2	5.63	12.2	9.3	42
LH-674	67,400	1 3/4	25	2.44	4.5	4	2.25	6.38	14	8.8	75

Top rigging and shackles are not included.

5055 26th Avenue  
Rockford, IL 61109

800.628.4263  
815.229.5667

815.229.5686 fax  
caldwellinc.com

The Caldwell Group, Inc.  
Quality. Guaranteed.