

L10 Series Radio Remote Control

The L10 Series is a 2-speed transmitter with eight buttons for control of 3-4 motions. FCC 310-320 Mhz AC models only. Each kit includes receiver, two transmitters, four batteries, strap, legend sheet for each transmitter, spare key, spare fuse kit, and instruction manual. This radio has programmable operation; contact Conductix-Wamplfer for details.

L10 Transmitter



Transmitter Specifications

- Very light weight 0.62 lb. (155g) with batteries
- Runs on two standard alkaline batteries
- Very low power consumption ensures long battery life
- Includes low power indicator
- Modulation: FM
- Internal antenna
- Jammed button detection
- Shock resistant

L10 Receiver



Receiver Specifications

- Multiple supply voltages: AC Type: 48/110/220 plus or minus 10%, 50/60 Hz. (Default 110 Selected)
- Independent common configuration for mixed control voltage applications
- Power-on/mainline contact
- Internal LED display of power and contact closure status
- Sensitivity: Approximately -105 dBm
- Pre-wired cable, 6 feet long (1.83m)
- Control relay rating: 10A @ 125 VAC; 5A @ 250 VAC; 8A @ 30 VAC
- Single shock mount designed for demanding mobile and industrial applications
- NEMA 4 (IP65)

L10 Radio Kit

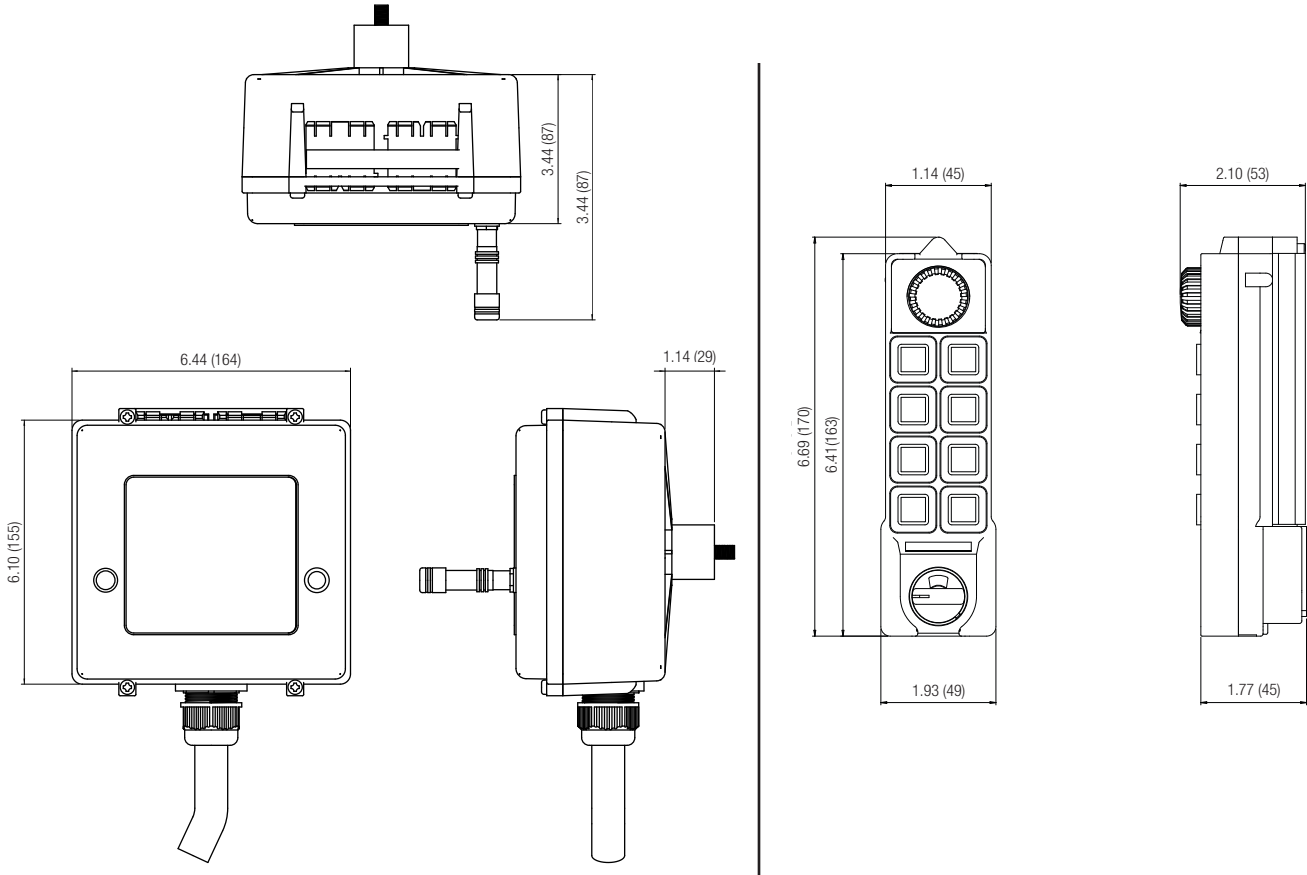
The L10 Series Kit includes four (4) batteries, spare key, spare fuse kit, instruction manual, and a legend sheet for each transmitter. AC only.

Operation Description	No. of Transmitters	Part No.
Eight 2-speed buttons, E-stop, key switch, and On/Off Up to 4 motion two speed control with 0 to 2 programmable auxiliary outputs, alarm output, mainline output.	2	700DL10

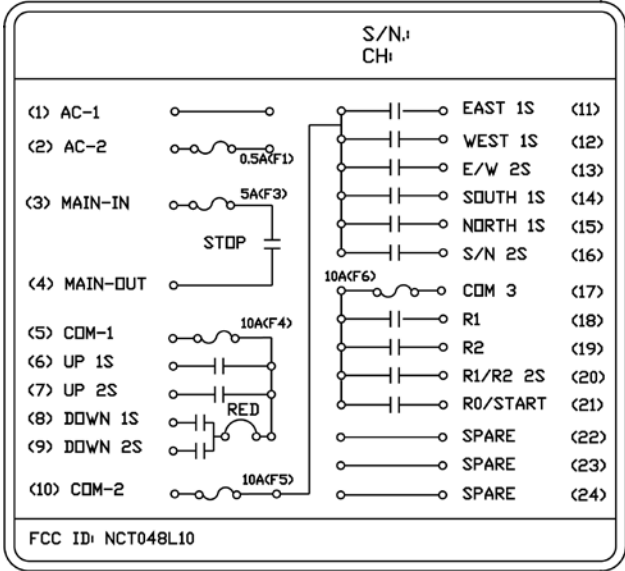
Please Note: All transmitters will require the Serial Number for proper matching to receiver for programming.
 L Series radios will also need Channel Number 1-38 specified at time of order.

L10 Series Dimensions and Wiring Diagram

Dimensions



Wiring Diagram



Please Note: Default wiring diagram shown. Custom programming might alter relay outputs.

Visit www.conductix.us for the most current information.

L12 Series Radio Remote Control

The L12 Series is a 2-speed transmitter with twelve buttons for control of up to 5 motions. FCC 310-320 Mhz AC models only. Each kit includes receiver, two transmitters, four batteries, strap, legend sheet for each transmitter, spare key, spare fuse kit, and instruction manual. This radio has programmable operation; contact Conductix-Wamplfer to discuss your application needs.

L12 Transmitter



Transmitter specifications

- Very light weight; 1.2 lb (0.55 kg) with batteries
- Runs on 2 standard alkaline batteries
- Very low power consumption ensures long battery life
- Includes low power indicator
- Modulation: FM
- Jammed button detection
- Shock resistant

L12 Receiver



Receiver specifications

- Multiple supply voltages: AC Type: 48/110/220, plus or minus 10%, 50/60 Hz. (Default 110 Selected)
- Independent common configuration for mixed control voltage applications
- Power-on/mainline contact
- Internal LED display of power and contact closure status
- Sensitivity: Approximately -105 dBm
- Pre-wired with 6 feet (1.83m) of cable
- Control relay rating: 10A @125 VAC; 5A @ 250 VAC; 8A @ 30 VAC
- 4-point shock mount designed for demanding mobile and industrial applications
- NEMA 4 (IP65)

L12 Radio Kit

The L12 Series Kit includes four (4) batteries, spare key, spare fuse kit, instruction manual, and a legend sheet for each transmitter. AC only.

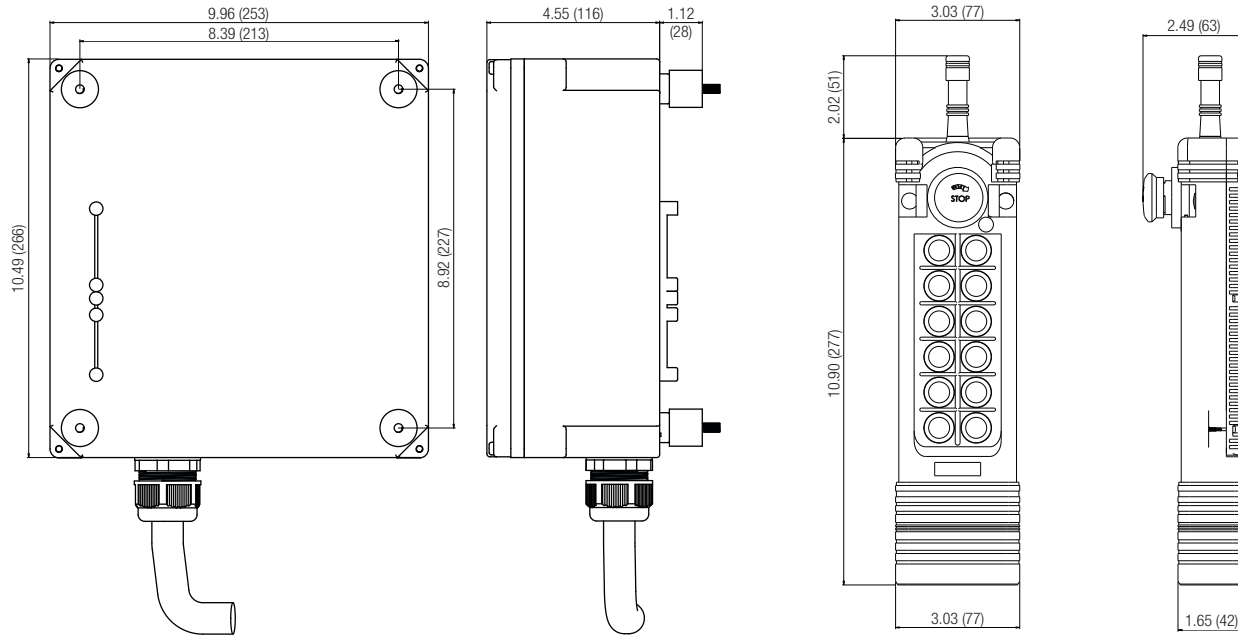
Operation Description	No. of Transmitters	Part No.
Twelve 2-Speed buttons, with E-Stop, Key Switch, and On/Off. Up to 5 motion two speed control with 2 to 7 programmable auxiliary outputs, alarm output, mainline output.	2	700DL12

Please Note: All transmitters will require the Serial Number for proper matching to receiver for programming.

L Series radios will also need Channel Number 1-38 specified at time of order.

L12 Series Dimensions and Wiring Diagram

Dimensions

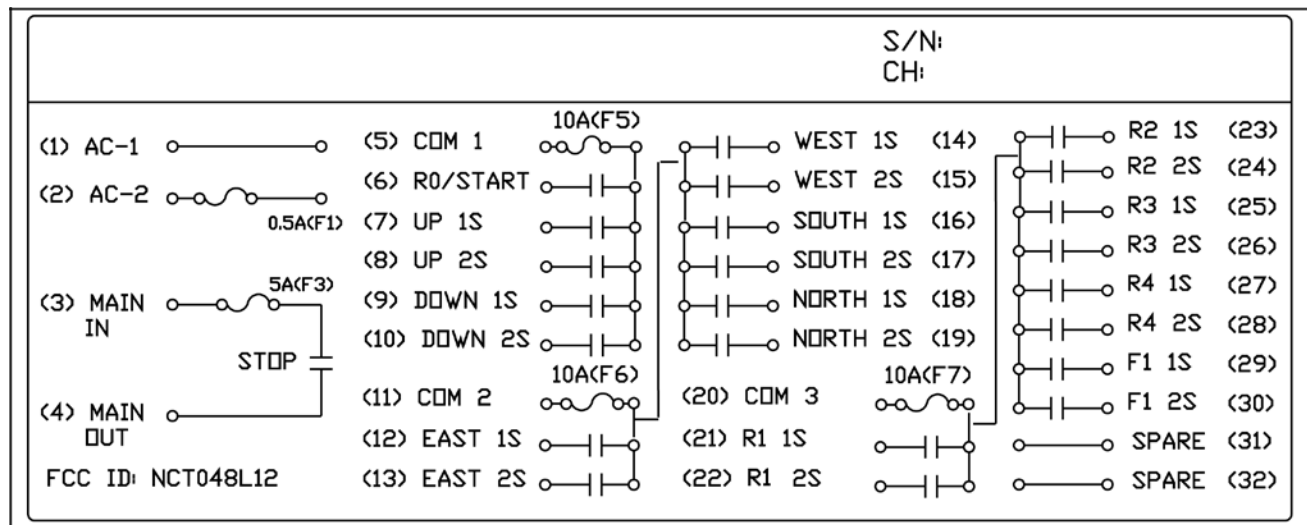


Weight: 6.6 Lbs
(less cable)

Weight: 1.2 Lbs
(including batteries)

32 conductor 16 AWG with fork terminals 20" of loose conductors exposed beyond PVC jacket

Wiring Diagram



Please Note: Default wiring diagram shown. Custom programming might alter relay outputs.

L40 Series Radio Remote Control

The L40 Series is a "belly box" style transmitter unit with 5-speeds, dual joystick. Up to eight motions using A/B switches. FCC 310-320 Mhz AC models only.

L40 Transmitter



P.N. 701L40101

Transmitter specifications

- Very light weight; 1.9 lb (0.86 kg) with batteries
- Runs on 4 standard alkaline batteries
- Very low power consumption ensures long battery life
- Includes low power indicator
- Modulation: FM
- Internal Antenna
- Jammed joystick detection
- Shock resistant
- 2 Toggle Switches (A-Both-B or A-Off-B)
- Optional momentary toggle switches to replace maintained toggle switches that come with each transmitter
- 2 Dual Axis Joysticks (can be Gated)

L40 Receiver



Receiver specifications

- Multiple supply voltages: AC Type: 48/110, 110/220, plus or minus 10%, 50/60 Hz. (Default 48/110, 110 selected)
- Independent common configuration for mixed control voltage applications
- Power-on/mainline contact
- LED display of power and contact closure status
- Sensitivity: Approximately -105 dBm
- Two pre-wired cables, each 6 feet long (1.83 m) cable
- Control relay rating: 10A @125 VAC; 5A @ 250 VAC; 8A @ 30 VAC
- 4-point shock mount designed for demanding mobile and industrial applications
- 40 dynamically assigned relays
- NEMA 4 (IP65)

L40 Radio Kit

The L40 Series Kit includes eight (8) batteries, spare key, spare fuse kit, instruction manual, and a legend sheet for each transmitter. AC only.

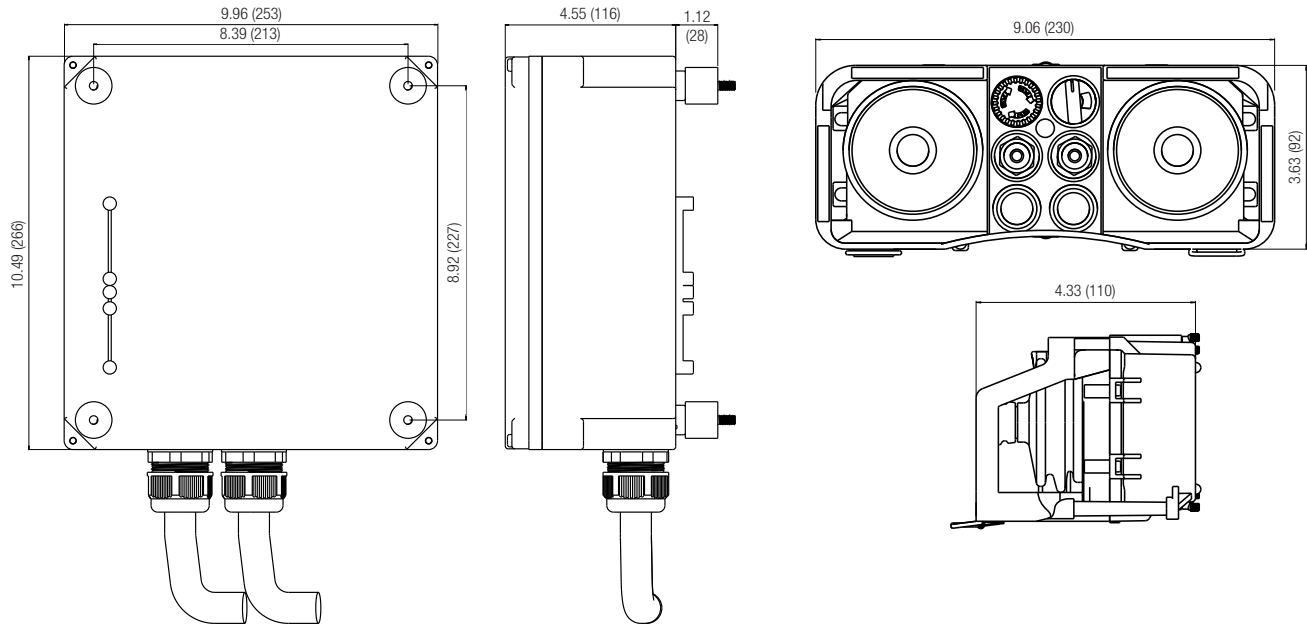
Operation Description	No. of Transmitters	Part No.
Dual joystick, 5 speed controls with E-stop, key switch, 2 toggles, and two push buttons. Up to 8 motions through the use of A-B-Both switches. 2 programmable auxiliary outputs, mainline output.	2	700DL40

Please Note: All transmitters will require the Serial Number for proper matching to receiver for programming.

L Series radios will also need Channel Number 1-38 specified at time of order.

L40 Series Dimensions and Wiring Diagram

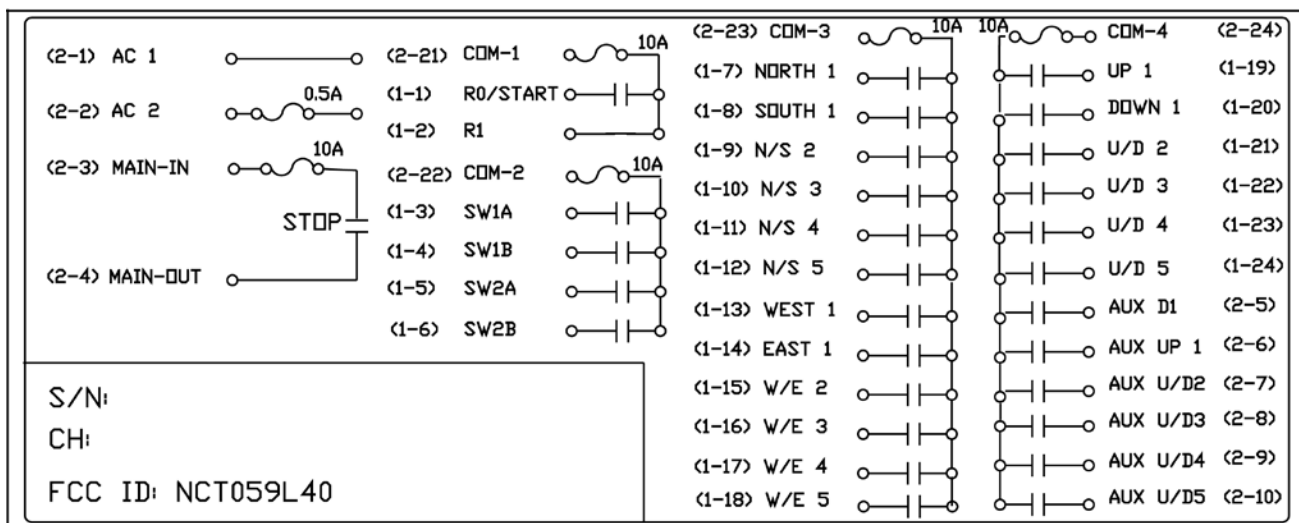
Dimensions



Weight: 6.6 lbs
(less cable)

24 conductors, 16 AWG with fork terminals
 20" of loose conductors exposed PVC jacket

Wiring Diagram



Please Note: Default wiring diagram shown. Custom programming will alter relay outputs.