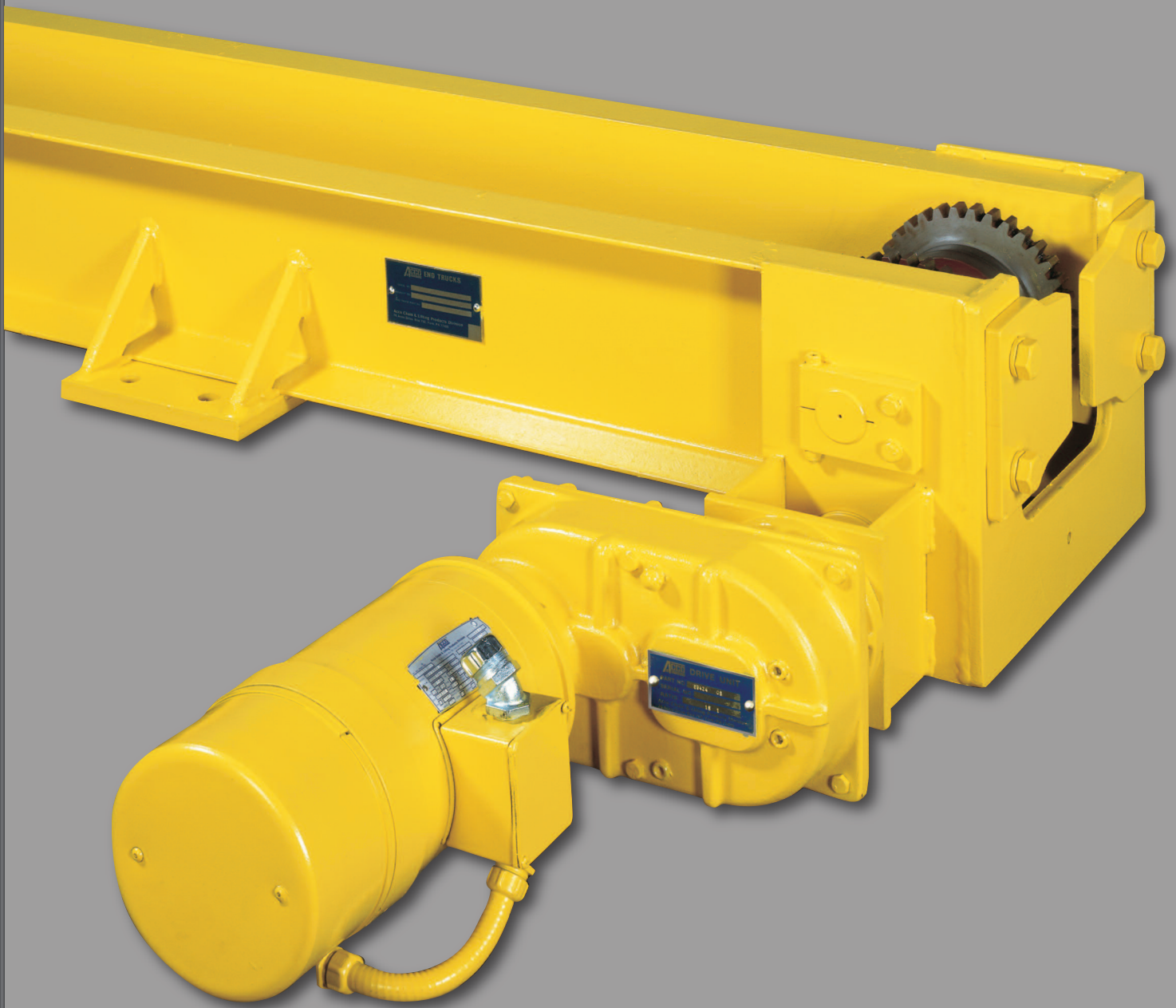


Authorized Sales & Service
J. HERBERT CORPORATION
Call 1-800-255-0588
407-846-0588 Fax: 846-1066
info@jherbertcorp.com
Visit us online:
www.jherbertcorp.com



WRIGHT®

CRANE COMPONENTS

UNDER RUNNING SERIES 425

WRIGHT® end trucks, crane drives and controls provide years of worry free operation.

Engineered to fit virtually any application

WRIGHT® interchangeable components allow you to customize a crane to fit your requirements. Choose from the vast selection of single components to configure your system, or pick from one of our crane kit selections which include end trucks, crane drives and controls. To learn how to pick a kit that's right for you, follow the instructions at the far right under "How to order a crane kit."

Quality and durability beyond your expectations

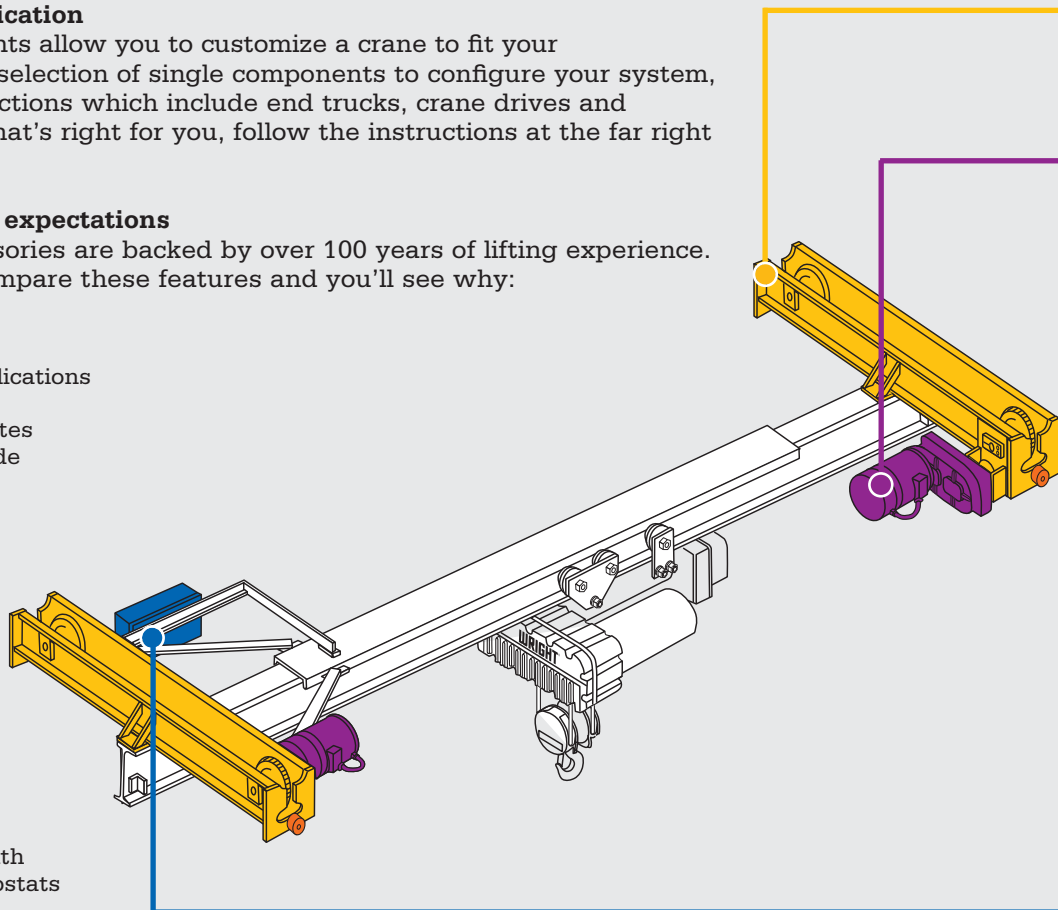
WRIGHT® crane products and accessories are backed by over 100 years of lifting experience. Simply put, they are built to last. Compare these features and you'll see why:

End Truck Features:

- Push, hand geared and dual motor applications
- Bolted girder connection plates
- Flange type gear reducer mounting plates
- Dual tread wheels for standard and wide flange shapes
- Hardened wheels
- Heavy duty construction
- Rubber bumpers
- Rail sweeps

Crane Drive Features:

- Single speed motors
- Direct bolt flange mounting
- Cast aluminum gasketed housing
- Adjustable A.C. disc type brakes
- Case hardened gearing
- 30 min., Class "F" insulation, UL & CSA approved motors
- U.S. manufactured motors protected with automatic reset normally closed thermostats



Options:

Hand Geared Components

Components to power your crane manually by hand.

Prod. Number	Dimensions
6432050	Hand Geared Kit
48158-1	Hand Chain
4250310	Shaft Support
6402010	Shaft Coupling

Capacity Plates

Metal plates to display the maximum working limit of your crane, two plates needed per crane.

Prod. Number	Dimensions
6400310	12" x 12"
6400320	24" x 24"

Additional Options:

- Runway beams wider than specified
- Special wheelbase dimensions
- Flat tread and bronze wheels
- 208 or 575 volt power supplies
- Class "H" motor insulation
- Thermal overload relay
- 200 VA control transformer
- 60 amp fusible disconnect switch
- CMMA Class "D" braking resistors for variable frequency drive

END TRUCKS

Product Number	Capacity	Max. Span	Runway Flange Widths	Wheel Diameter	Wheelbase	Max. Truck Load	Truck Wt./Pair
4250600	3 Ton	35 Ft.	3 to 5-1/2"	4"	52-1/2"	11,000 Lbs.	468 Lbs.
4250610	3 Ton	50 Ft.	3 to 5-1/2"	4"	75"	11,800 Lbs.	530 Lbs.
4250620	5 Ton	35 Ft.	4 to 6-1/2"	5"	52-1/2"	16,000 Lbs.	701 Lbs.
4250630	5 Ton	50 Ft.	4 to 6-1/2"	5"	75"	18,000 Lbs.	787 Lbs.
4250640	10 Ton	35 Ft.	5 to 8"	6"	52-1/2"	28,900 Lbs.	1095 Lbs.
4250650	10 Ton	50 Ft.	5 to 8"	6"	75"	30,800 Lbs.	1174 Lbs.

* Calculated Truck Loads must include:

1. Live load impact allowance of 1/2% of lifting speed in FPM, but not less than 15% when used with an electric powered hoist.
2. Dead load impact allowance of 10% (includes weight of crane, hoist, and attachments).

CRANE DRIVES

Gearbox Ratio	Motor HP	Capacity	Travel Speed	Max. Span	Motor/Brake Volt.	Product No.	Wt./Pair																																																																																																												
23:1	.50	3 Ton	45 FPM	50 Ft.	230/460	4050020	128 Lbs.																																																																																																												
		5-10 Ton	40 FPM	50 Ft.				15:1	.50	3 Ton	75 FPM	50 Ft.	230/460	4050090	128 Lbs.	5 Ton	65 FPM	50 Ft.	10 Ton	65 FPM	35 Ft.	10:1	.75	10 Ton	65 FPM	50 Ft.	230/460	4050160	130 Lbs.	10:1	.50	3 Ton	110 FPM	50 Ft.	230/460	4050230	128 Lbs.	.75	5 Ton	95 FPM	50 Ft.	230/460	4050300	130 Lbs.	10 Ton	95 FPM	35 Ft.	1.00	10 Ton	95 FPM	50 Ft.	230/460	4050370	132 Lbs.	VARIABLE FREQUENCY DRIVES								23:1 VFD	.50	3 Ton	45 FPM MAX.	50 Ft.	230/460	4050020	128 Lbs.	5-10 Ton	40 FPM MAX.	50 Ft.	15:1 VFD	.50	3 Ton	75 FPM MAX.	50 Ft.	230/460	4050090	128 Lbs.	5 Ton	65 FPM MAX.	50 Ft.	10 Ton	65 FPM MAX.	35 Ft.	10:1 VFD	.75	10 Ton	65 FPM MAX.	50 Ft.	230/460	4050160	130 Lbs.	10:1 VFD	.50	3 Ton	110 FPM MAX.	50 Ft.	230/460	4050230	128 Lbs.	.75	5 Ton	95 MAX MAX.	50 Ft.	230/460	4050300	130 Lbs.	10 Ton	95 FPM MAX.	35 Ft.	1.00	10 Ton
15:1	.50	3 Ton	75 FPM	50 Ft.	230/460	4050090	128 Lbs.																																																																																																												
		5 Ton	65 FPM	50 Ft.																																																																																																															
		10 Ton	65 FPM	35 Ft.																																																																																																															
10:1	.75	10 Ton	65 FPM	50 Ft.	230/460	4050160	130 Lbs.																																																																																																												
		10:1	.50	3 Ton				110 FPM	50 Ft.	230/460	4050230	128 Lbs.																																																																																																							
	.75	5 Ton	95 FPM	50 Ft.	230/460	4050300	130 Lbs.																																																																																																												
		10 Ton	95 FPM	35 Ft.																																																																																																															
1.00	10 Ton	95 FPM	50 Ft.	230/460	4050370	132 Lbs.																																																																																																													
VARIABLE FREQUENCY DRIVES																																																																																																																			
23:1 VFD	.50	3 Ton	45 FPM MAX.	50 Ft.	230/460	4050020	128 Lbs.																																																																																																												
		5-10 Ton	40 FPM MAX.	50 Ft.																																																																																																															
15:1 VFD	.50	3 Ton	75 FPM MAX.	50 Ft.	230/460	4050090	128 Lbs.																																																																																																												
		5 Ton	65 FPM MAX.	50 Ft.																																																																																																															
		10 Ton	65 FPM MAX.	35 Ft.																																																																																																															
10:1 VFD	.75	10 Ton	65 FPM MAX.	50 Ft.	230/460	4050160	130 Lbs.																																																																																																												
		10:1 VFD	.50	3 Ton				110 FPM MAX.	50 Ft.	230/460	4050230	128 Lbs.																																																																																																							
	.75	5 Ton	95 MAX MAX.	50 Ft.	230/460	4050300	130 Lbs.																																																																																																												
		10 Ton	95 FPM MAX.	35 Ft.																																																																																																															
1.00	10 Ton	95 FPM MAX.	50 Ft.	230/460	4050370	132 Lbs.																																																																																																													

Authorized Sales & Service
J. HERBERT CORPORATION
 Call 1-800-255-0588
 407-846-0588 Fax: 846-1066
 info@jherbertcorp.com

Visit us online:
www.jherbertcorp.com

CONTROLS

Product Number	Descr.	Mainline Cntor. Size	Max. HP & Voltage	Max. Amp Rating	Wt.
Bridge Controls With ACM:					
4030600	Single Speed	C	1 @ 230	4	58 Lbs.
4030620	Single Speed	C	3 @ 230	8	60 Lbs.
4030770	Single Speed	C	2 @ 460	4	58 Lbs.
4030790	Single Speed	C	5 @ 460	8	60 Lbs.
Bridge Controls With Variable Frequency Drives:					
4030870	Inverter	C	1 @ 230	5	83 Lbs.
4030880	Inverter	C	2 @ 230	8	83 Lbs.
4030890	Inverter	C	3 @ 230	11	83 Lbs.
4030850	Inverter	C	2 @ 460	3.4	83 Lbs.
4030860	Inverter	C	3 @ 460	4.8	83 Lbs.

STANDARD VOLTAGE: 230/460-3-60.
 AVAILABLE OPTIONAL VOLTAGE: 208/575-3-60.

Control Kits

Single speed control kits consist of a reversing contactor, 100 VA control transformer (115 volt is standard), mainline contactor, ACM, and fuse block (less fuses). All of these features are enclosed in a NEMA 4/12 steel cabinet with a hinged door and a 30 amp through the door manual disconnect switch.

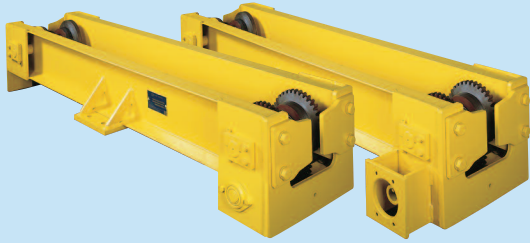


PLEASE SPECIFY VOLTAGE WHEN ORDERING.

The following options are available:

- 208 or 575 volt operation
- 60 amp fusible disconnect switch
- 200 VA control transformer
- Thermal overload relay
- CMMA Class "D" resistors for variable frequency drive

Here's why WRIGHT® Components are the right components for you:

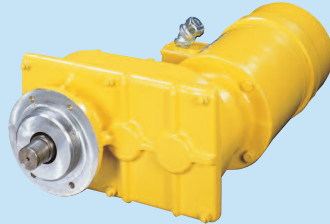


Heavy Duty End Trucks

WRIGHT® End Trucks are manufactured of structural channels, jig welded and bored to provide true alignment of wheels, axles and drives. Wheels are flanged, hardened alloy steel with machined dual treads for operation on American Standard or Flat Flange beams. Wheels are equipped with lifetime lubricated ball bearings, two in each wheel.

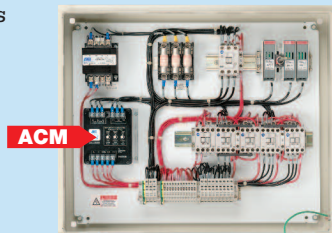
Dual Crane Drive Units

The economical, reliable and compact Drive Units are flange mounted with case hardened spur gearing, in line disc type A.C. brakes and crane duty motors with Class "F" insulation. Motors are rated for 30 minute duty and are single speed.



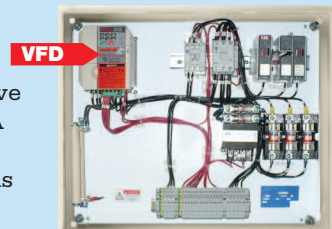
ACM (Acceleration Control Module)

The WRIGHT® ACM control is a solid state control that supplements single speed, three phase bridge motor controls to regulate the starting torque and acceleration. It checks the initial rush of current to the motor, and allows smooth acceleration from start to full rated speed.



VFD (Variable Frequency Drive)

The variable frequency drive control kits have the same features as the single speed control kit only the reversing contactor and ACM are replaced with an Electromotive IMPULSE G+ Mini and CMAA Class "C" braking resistors. Thermal overload protection is also included. The VFD is factory preset at 2 speed for a 3:1 speed ratio.



How to order a crane kit

WRIGHT® Crane Components come in a "pre-packaged kit" that includes end trucks, crane drives and controls you'll need for common crane applications. Each kit has an order number that is customized by the options and requirements that you want your crane to have.

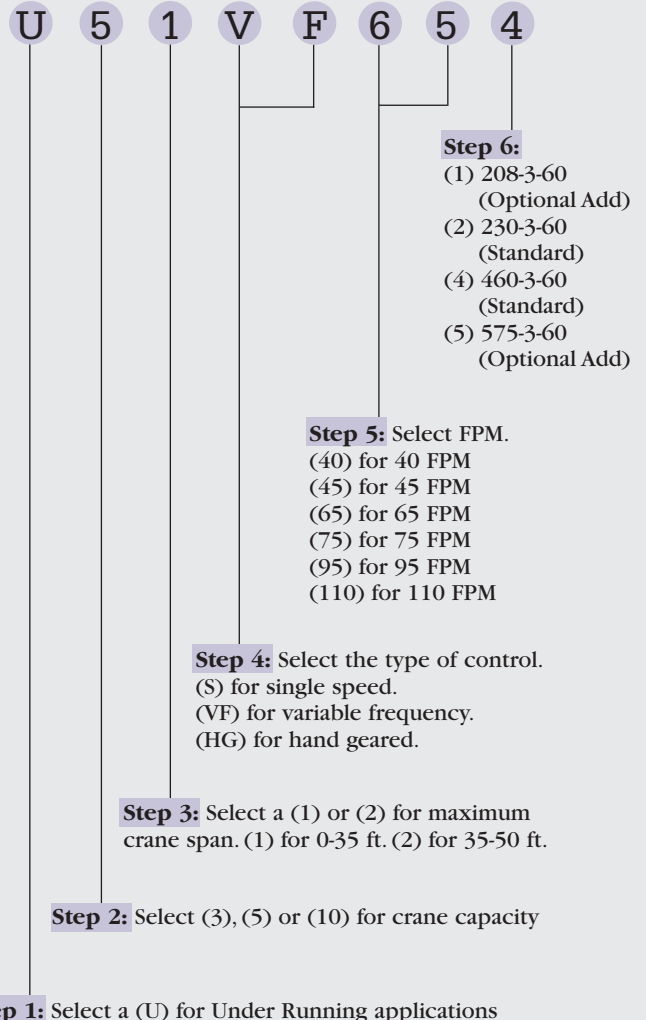
To determine which crane kit is right for you, use the chart below. Each digit in the order number is determined by choosing what options you'll need. When you have completed, you should have a 6 to 9 digit order number. Then call your local distributor and give them the order number for your custom crane kit.

Crane kits include:

- End Trucks
- Dual Crane Drives
- Control Kit
- Mounting Hardware
- Operation and Maintenance Manual

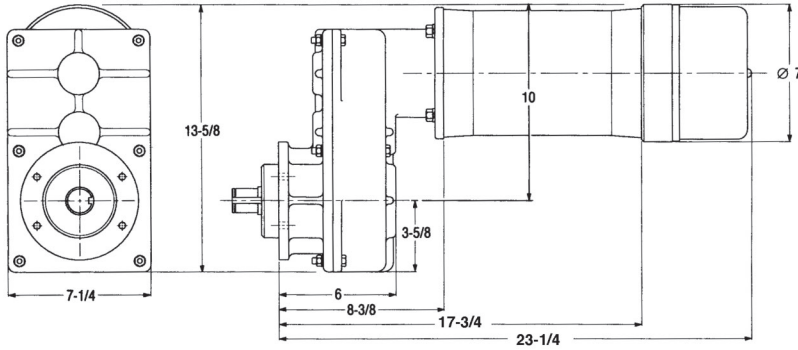
Authorized Sales & Service
J. HERBERT CORPORATION
 Call 1-800-255-0588
 407-846-0588 Fax: 846-1066
 info@jherbertcorp.com
 Visit us online:
www.jherbertcorp.com

Sample crane kit order number:

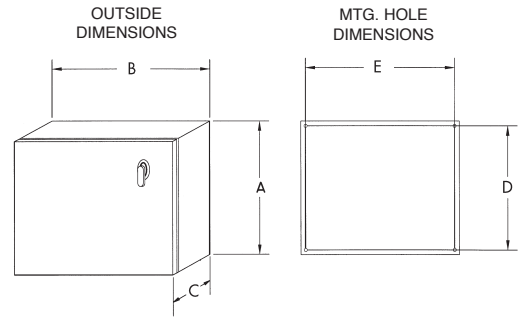


Our example shows an Under Running crane with a 5 ton capacity and a 0-35 foot span. It has variable frequency controls, can travel 65 feet per minute, and is set for 460 volt.

CRANE DRIVE DIMENSIONS



ENCLOSURE DIMENSIONS



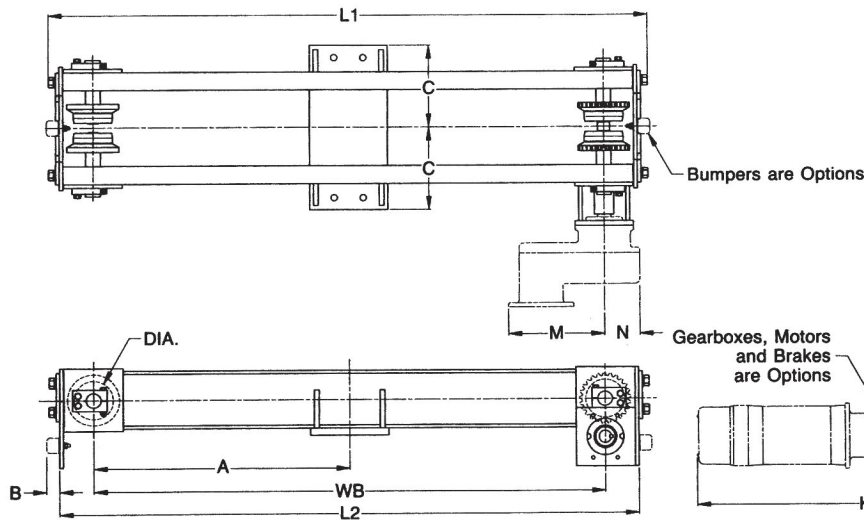
Single Speed

A	B	C	D	E	Mtg. Hole
20"	24"	8"	18-1/2"	22-1/2"	7/16"

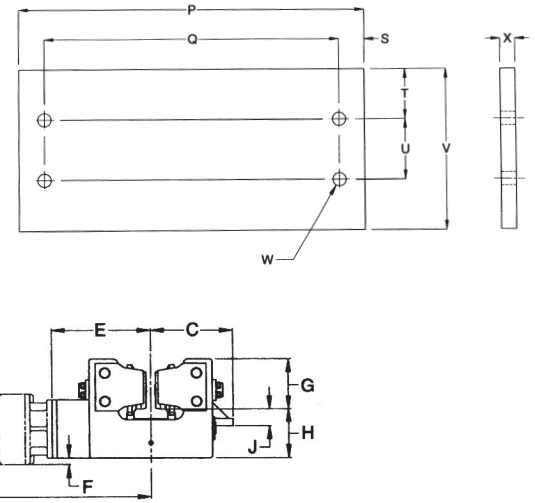
Variable Frequency Inverter Control

A	B	C	D	E	Mtg. Hole
20"	30"	8"	18-1/2"	28-1/2"	7/16"

END TRUCK DIMENSIONS



GIRDER CONNECTION PLATE DIMENSIONS



NUMBER	L1	L2	WB	A	C	DIA.	E	F	G	H	J	M	N
4250600	61.63"	59.38"	52.5"	26.25"	8.50"	4"	10.30"	0.63"	5.25"	5.00"	1.75"	9.85"	3.63"
4250610	84.13"	81.88"	75.0"	37.50"	8.50"	4"	10.30"	0.63"	5.25"	5.00"	1.75"	9.85"	3.63"
4250620	64.25"	61.50"	52.5"	26.25"	9.63"	5"	11.39"	0.63"	6.75"	5.50"	2.25"	9.85"	3.63"
4250630	86.75"	84.00"	75.0"	37.50"	9.63"	5"	11.39"	0.63"	6.75"	5.50"	2.25"	9.85"	3.63"
4250640	67.25"	63.75"	52.5"	26.25"	11.38"	6"	12.60"	0.63"	8.25"	6.00"	3.00"	9.85"	3.63"
4250650	89.75"	86.25"	75.0"	37.50"	11.38"	6"	12.60"	0.63"	8.25"	6.00"	3.00"	9.85"	3.63"

B	PRODUCT NO. 6450010 BUMPER KIT	1.34"
	PRODUCT NO. 6450020 BUMPER KIT	1.66"

K	CAPACITY	SINGLE SPEED DRIVE	VFD DRIVE
	3 TON	33.36"	33.36"
	5 TON	34.45"	34.45"
	10 TON	35.66"	35.66"

CAPACITY	P	Q	S	T	U	V	W	X
3 TON	17"	14-1/2"	1-1/4"	2-1/2"	3"	8"	Ø 21/32"	3/4"
5 TON	19-1/4"	16-3/4"	1-1/4"	2-1/4"	3-1/2"	8"	Ø 25/32"	3/4"
10 TON	22-3/4"	19-3/4"	1-1/2"	2-1/2"	4"	9"	Ø 1-1/32"	1"

WRIGHT® Hoists are the best choice for high volume, heavy lifting.



SPEEDWAY® HOISTS THE NEW CENTURY SERIES®

Capacities of 1 to 5 tons. Long lifts up to 107 feet. High speeds up to 40 FPM.

Low cost, rugged and dependable smaller capacity hoists for production work. Designed for operating 30 minutes of each hour with a maximum of 300 starts an hour.

Compare these features:

- H-4 Duty Classification (ASME HST-4M)
- Machine cut, case hardened, alloy steel gears
- Largest oil bath in the industry
- Mechanical load brake
- U.S. manufactured motors
- Motor thermostats
- Disc type motor brake
- Easy maintenance of gears
- Machined steel sheaves



Cross Mount

WORK-RATED® HOISTS THE NEW CENTURY SERIES®

Four frame sizes in capacities of 1 to 25 tons.

Cross-mounted close-headroom hoists from WRIGHT®. Close-headroom allows for the ultimate flexibility in material handling.

Compare these features:

- H-4 Duty Classification (ASME HST-4M)
- Machine cut, case hardened, alloy steel gears
- Largest oil bath in the industry
- Overload cutoff
- Mechanical load brake
- U.S. manufactured motors
- Motor thermostats
- Disc type motor brake
- Easy maintenance of gears
- Machined steel sheaves



Top Running Trolley Hoist



ACCO Material Handling Solutions
76 Acco Drive, Box 792, York, PA 17405-0792
717-741-4863, 800-967-7333, FAX 800-715-8897
E-mail: info@accomhs.com
www.accomhs.com

Authorized Sales & Service
J. HERBERT CORPORATION
Call 1-800-255-0588
407-846-0588 Fax: 846-1066
info@jherbertcorp.com
Visit us online:
www.jherbertcorp.com