

# Mansaver®

- Parallelogram style lifters for all applications.
- Designed for safety and ease of use.
- Available in any require load capacity.

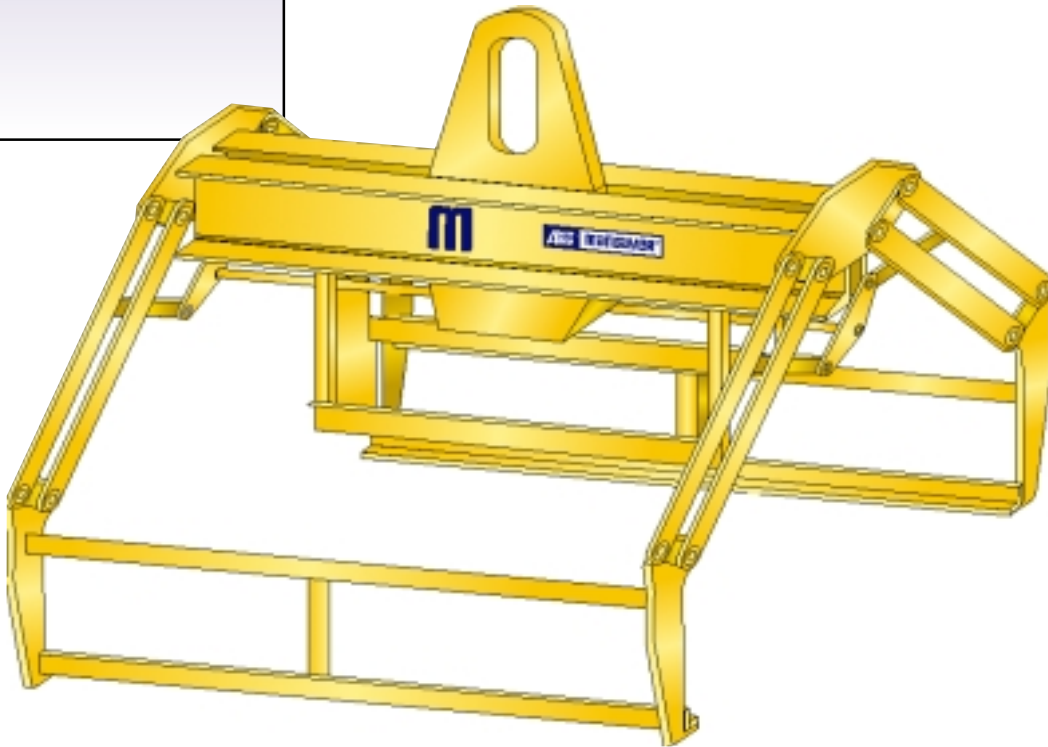
## G1141 Parallelogram Sheet Lifters

### G1141 PARALLELOGRAM SHEET LIFTERS

Mansaver® parallelogram sheet lifters are offered in standard configurations or special designs.

This type of sheet lifter save valuable floor space by allowing closer stackings of loads than possible with telescoping style lifters. They are available with motorized or manual drive systems. Other common options include powered rotation and sheet support end hooks.

All ACCO G1141 lifters conform to ASME B30.20 specifications for below-the-hook lifting devices. Standard paint is ACCO safety yellow machine enamel.



- G1141 motorized lifter

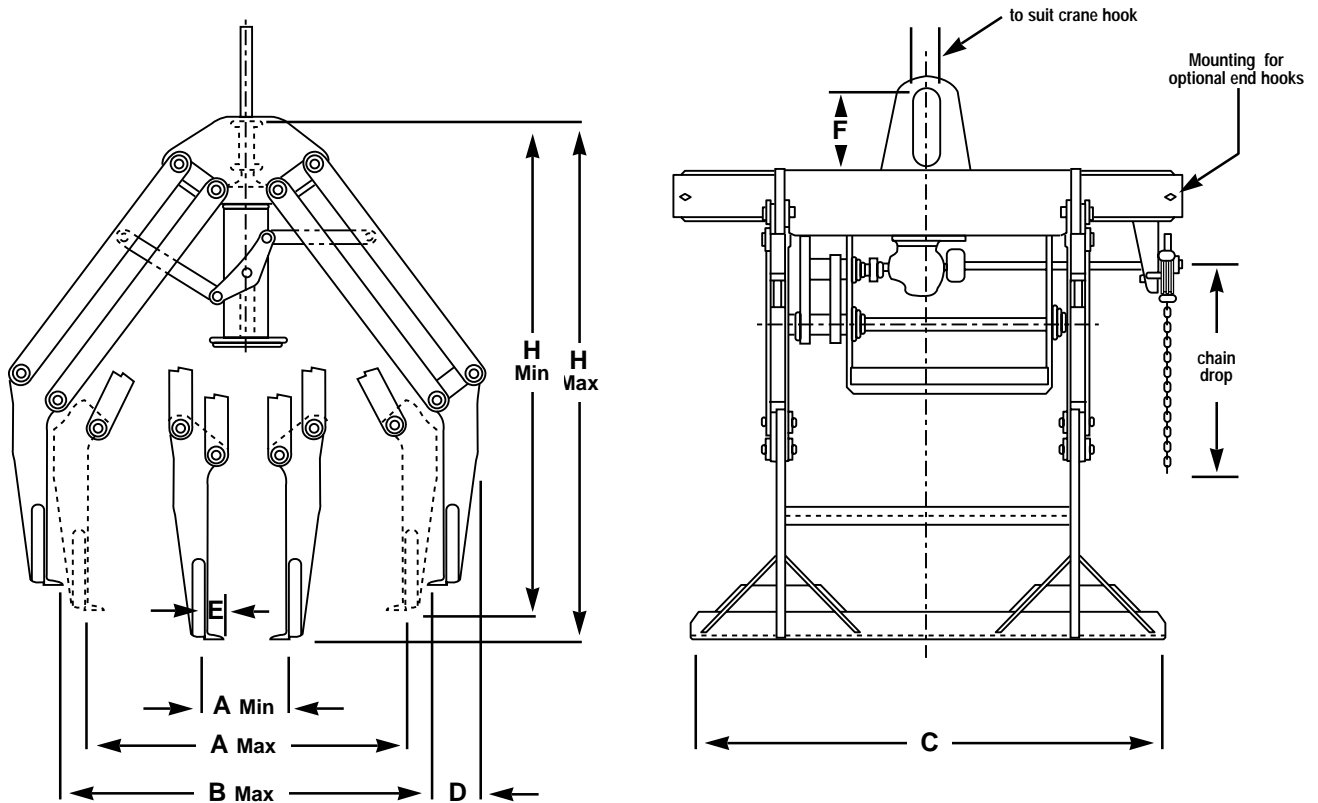
*Authorized Sales & Service*  
**J. HERBERT CORPORATION**  
Call 1-800-255-0588  
407-846-0588 Fax: 846-1066  
info@jherbertcorp.com  
**Visit us online:**  
www.jherbertcorp.com

**ACCO® 5.1.1**

# G1141 Parallelogram Sheet Lifters

Capacity in Tons	Load Width		Opening	Lifter Height		Leg Depth	Leg Width	Toe	Lifter Wt. 96" Angle (lbs.)
	A Min.	A Max.	B Max.	H Min.	H Max.	L	D	E	
7-1/2	18	78	82	79	89	24	8	3	2900
10	18	78	82	86	96	30	12	5-1/2	3100
15	18	78	82	94	104	36	12-1/2	5-3/8	4600
20	18	78	82	104	114	42	12-1/2	5-1/4	5100
25	18	78	82	112	122	50	12-1/2	5-1/8	5600

All dimensions shown are in inches and are approximate.





# G1141 Parallelogram Sheet Lifters

## Selection Guide

All Mansaver® G1141 parallelogram sheet lifters are designed to perform specific lifting tasks in conjunction with other lifting equipment. Please supply available application information and submit to the Mansaver® sales department for pricing and further assistance in equipment choice.

All ACCO MANSAYER® Products meet or exceed ANSI B.30.20\* for "Below The Hook" lifting devices.  
 All ACCO MANSAYER® Products have a one year warranty on workmanship and materials.\*\*  
 \* Please refer to ANSI Standards B.30.20 and B.30.9 for all lifting applications and guidelines.  
 \*\* Consult the factory for further details.

### LOAD INFORMATION:

Load description (sheet, plate, other): \_\_\_\_\_

Load dimension or range of dimensions: \_\_\_\_\_

Available space under load: \_\_\_\_\_

Maximum load weight: \_\_\_\_\_

### LIFTER INFORMATION:

Required lifter capacity: \_\_\_\_\_

Capacity of the hoist lifter will used with: \_\_\_\_\_

Lifter type (manual, powered, rotating, other): \_\_\_\_\_

Lifter suspension (single, double, sheaves): \_\_\_\_\_

Options (end hooks, special paint, other): \_\_\_\_\_

Lifting Hoist Hook Information on reverse side

Clear Form

Authorized Sales & Service  
**J. HERBERT CORPORATION**  
 Call 1-800-255-0588  
 407-846-0588 Fax: 846-1066  
 info@jherbertcorp.com  
 Visit us online:  
 www.jherbertcorp.com



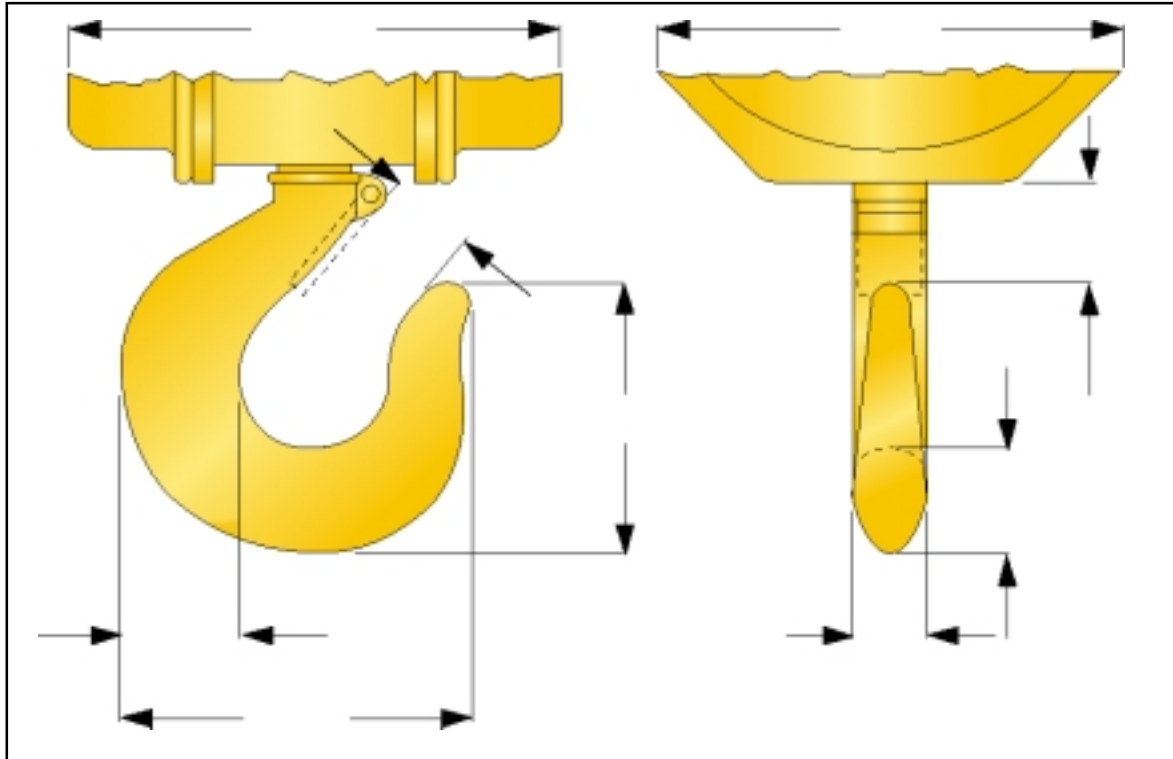
**mansaver<sup>®</sup>**

*"The Lifting Power You Need."*

# G1141 Parallelogram Sheet Lifters

## Lifting Hoist Hook Information

*(Please Fill Out Completely)*



**Acco<sup>®</sup> Acco Chain & Lifting Products Division**

76 Acco Drive, Box 792, York, PA 17405  
Telephone 800-967-7333 Fax 800-715-8897  
www.accolifting.com

PART OF THE **FKI** GROUP OF COMPANIES

**Acco<sup>®</sup> 5.1.4**

*Authorized Sales & Service*

**J. HERBERT CORPORATION**  
Call 1-800-255-0588  
407-846-0588 Fax: 846-1066  
info@jherbertcorp.com

Visit us online:  
www.jherbertcorp.com