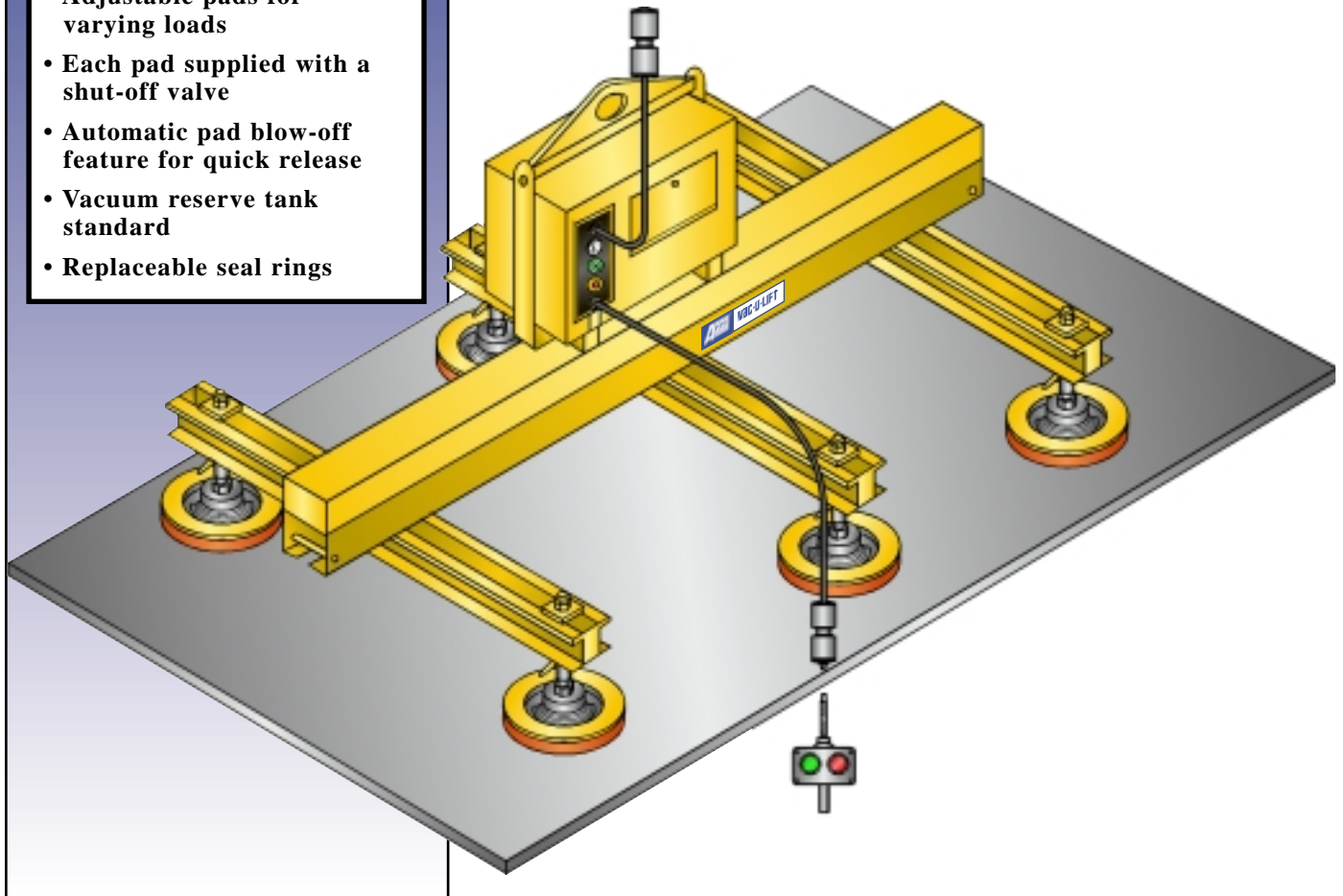


VAC-U-LIFT®

5600 Series

STANDARD VACUUM LIFTER

- Capacities to 5600 lbs.
- Adjustable pads for varying loads
- Each pad supplied with a shut-off valve
- Automatic pad blow-off feature for quick release
- Vacuum reserve tank standard
- Replaceable seal rings



The Heavy-Duty, Versatile, Modular Lifter for Loads up to 5600 lbs.

The 5600 Series Standard Vac-U-Lift Vacuum Lifter is designed for the efficient handling of a large variety of non-porous loads weighing up to 5600 lbs. Such materials as steel, aluminum, glass, polished granite, non-porous stone, slate, smooth concrete, hardboard, plastic sheet, and many types of irregular shaped objects may be handled.

Load beams, cross arms, and pads are easy to attach, remove, or adjust to accommodate changes in material size or shape. The entire Power Pac can be quickly disconnected to change load beams or accessories between operations. Depending on handling

constraints, the entire Power Pac may be remotely mounted.

In case of an inadvertent power interruption, a reserve vacuum tank takes over which can hold the load up to 30 minutes under normal conditions with non-porous materials.

Time to attach lifter to loads is between 3 and 10 seconds, depending on number and type of pads.

Extremely-low Maintenance Requirements

The modular design of the 5600 Series Lifter, plus readily-available standard, interchangeable components, means

simple, low-cost maintenance. The air filter is easily accessible for cleaning, and change-over between operation is fast, simple, and requires no special tools.

Authorized Sales & Service
J. HERBERT CORPORATION
Call 1-800-255-0588
407-846-0588 Fax: 846-1066
info@jherbertcorp.com

Visit us online:
www.jherbertcorp.com

** Product specifications on reverse side*

5600 Series

STANDARD VACUUM LIFTER

Specifications

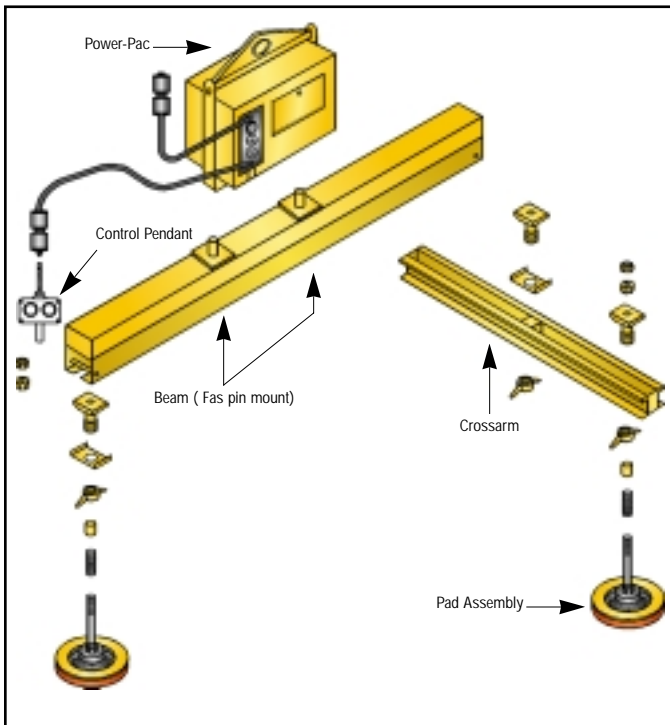
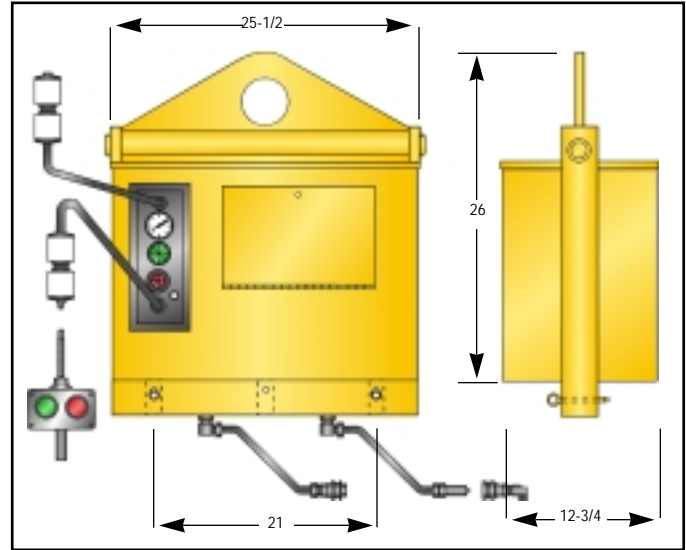
5600 Power Pac

Equipped with 3 ft pigtail power cord with twist lock connector for a variety of AC power sources; 10 ft two-button push button station; 3/4 hp, 1800 rpm integral electric motor; 10 cfm, oil-less, rotary vane vacuum pump; 4-way vacuum control valve; air line filter; vacuum gauge; vacuum switch; reserve valve; 680 in.³ reserve tank for positive holding in case of power failure; red/green vacuum level visual indicator lights; on-off power switch and other related controls and accessories. Releasing the vacuum and allowing removal of the pads from the load is accomplished by forcing air to the vacuum pads.

- Weight: 210 lbs.
- 1000 watt power draw
- Power sources available:
 - 115 volt, single-phase, 60 hertz, 18.0 F.L.A.
 - 230 volt, three-phase, 60 hertz, 4.0 F.L.A.
 - 460 volt, three-phase, 60 hertz, 2.0 F.L.A.
 - 575 volt, three-phase, 60 hertz, 1.6 F.L.A.

Headroom Requirements

Single pad unit:	32"
Single row of pads:	50"
With cross arms:	52"



Load Beam

All load beams are standard structural formed steel, all-welded construction with fas-pin connection for the Power Pac. Cross arms or pads can be adjusted along the beam length to match load requirements. A vacuum reserve tank is incorporated into the beam for positive holding in case of power failure.

- Standard beam lengths are 6', 8', 10', 12', and 14'.
- Longer beams available for special applications.

Cross Arms

All cross arms are standard structural formed steel construction. They provide full pad adjustment along cross arms and can be locked in position to match load requirements.

- Standard cross arm lengths are 4', 5', and 6'.

Pads

For further information on pads, refer to: Vac-U-Lift Standard Vacuum Pad Selection Guide.

Canadian Standards Association

This equipment is in compliance with all applicable requirements.

Optional Accessories

For further information on optional accessories, refer to: Vac-U-Lift Accessories Page.

ACCO® Acco Chain & Lifting Products Division
76 Acco Drive, Box 792, York, PA 17405
Telephone 800-967-7333 Fax 800-715-8897
www.accolifting.com

PART OF THE **FKI** GROUP OF COMPANIES

Authorized Sales & Service
J. HERBERT CORPORATION
Call 1-800-255-0588
407-846-0588 Fax: 846-1066
info@jherbertcorp.com
Visit us online:
www.jherbertcorp.com