



Authorized Sales & Service
J. HERBERT CORPORATION
Call 1-800-255-0588
407-846-0588 Fax: 846-1066
info@jherbertcorp.com
Visit us online:
www.jherbertcorp.com

PALLET LIFTERS

Pallet lifters are versatile tools for loading, unloading, and transporting materials of various kinds and sizes. Pallet lifters maximize the efficiency of overhead material handling systems and are especially helpful in areas that have narrow storage aisles or are inaccessible with fork lift trucks.

Bushman pallet lifters hang level when empty and when properly loaded. They feature high strength steel forks and welded steel construction that provide maximum strength, low unit weight and years of reliable service. All Bushman pallet lifters meet or exceed the requirements of the ASME B30.20 and ASME BTH-1 Standards.

Available options include:

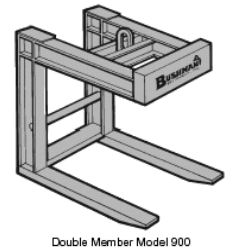
- Low headroom designs.
- Hand wheel or motorized fork adjustments.
- Multiple fork units for unique load configurations.



SINGLE MEMBER PALLET LIFTERS



The Model 900 fixed fork pallet lifter utilizes stationary forks to handle palletized loads of various configurations.



Pallet lifter forks entering a pallet



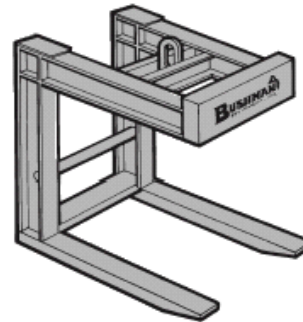
Loaded pallet lifter hangs level

DOUBLE MEMBER PALLET LIFTERS



Bushman builds higher capacity pallet lifters with a double vertical member.

They also have stationary forks to handle palletized loads of various configurations.

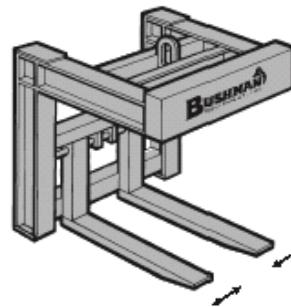


Double Member Model 900

Double member pallet lifters work well in facilities with narrow aisles.

MODEL 901 ADJUSTABLE FORK PALLET LIFTER

Adjustable fork pallet lifters enable the operator to use one lifter to handle pallets of various configurations by sliding the forks to the desired position.



Model 901
Adjustable Fork Pallet Lifter

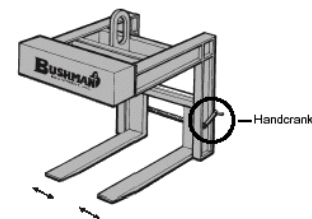


Single member pallet lifter with adjustable forks

MODEL H-901 ADJUSTABLE FORK PALLET LIFTER



The model H-901, an adjustable fork pallet lifter, permits the operator to move the forks with a hand wheel or hand crank. This ergonomic feature improves operator efficiency and safety. This option is highly recommended for pallet lifters with capacities over 6,000 pounds and is standard on all models over 10 tons. The fork adjustment mechanism can also be motorized. For information about special options and sizes, please call the factory or your local sales representative.



Model H-901
Adjustable Fork Pallet Lifter With Handcrank

SPECIALTY PALLET LIFTERS



This motorized 30-ton capacity unit lifts pin-pallets for an auto maker. It has adjustable forks and motorized rotation.



Combo C-hook and pallet lifter
This versatile unit handles coils and palletized materials. It can be motorized or manually operated.



Telescopic pallet lifter
Whether motorized or manual, telescopic pallet lifters handle palletized slit coils.



Combination coil/pallet lifter
A Mexican steel maker purchased five combination coil/pallet lifters. They can lift 30-ton coils eye-horizontal or up to 15-ton coils on pallets eye-vertical.



Pallet forks down, coil lifter up



Coil lifter down, pallet forks up

Authorized Sales & Service
J. HERBERT CORPORATION
Call 1-800-255-0588
407-846-0588 Fax: 846-1066
info@jherbertcorp.com
Visit us online:
www.jherbertcorp.com

MORE SPECIALTY PALLET LIFTERS



Multi-fork pallet lifter

This pallet lifter was designed to provide an automotive stamping facility with a safe and efficient way to handle large stacks of steel sheet. The facility had experienced slippage when moving extra long steel sheets to processing equipment. Each fork assembly can be relocated and locked in its new position to accommodate potential changes in the load configuration.



An electric motor adjusts the forks on this lifter



Pallet lifter modified to lift billets

Authorized Sales & Service

J. HERBERT CORPORATION

Call 1-800-255-0588
407-846-0588 Fax: 846-1066
info@jherbertcorp.com

Visit us online:
www.jherbertcorp.com

USA

Bushman Equipment Inc.
P.O. Box 309
Butler, WI 53007-0309

W133 N4960 Campbell Drive
Menomonee Falls, WI 53051

Phone: (800) 338-7810
(262) 790-4200
Fax: (262) 790-4202

CANADA

Avon Engineering

1680 Brampton Street
Hamilton, ON L8H 3S1

Phone: (800) 844-8117
(905) 689-7994
Fax: (905) 689-8472