

# Valustar electric chain hoist

Designed specifically for general commercial applications. This compact, lightweight hoist features:

- Fully machined and heat treated liftwheel with hardened chain guides for smooth chain operation and reduced chain wear
- Standard lift 10, 15 & 20 ft.
- 5 ft. power cord length
- Heavy-duty caliper type AC brake
- Rugged NEMA 4 control station, 115 volt control circuit
- Easy to install and maintain
- Hoist alloy load chain for smooth operation and maximum chain life
- Efficient regenerative braking system to avoid heat generation in power train
- Enclosed hoist duty motor
- Gear train lifetime lubricated with non-oxidizing grease
- Latch type hooks
- Hook suspension standard
- Fully machined and heat treated gear train
- Standard overload Protector device
- H3 duty-1 phase; H-4 duty-3 phase
- Lifetime warranty
- Metric rated
- Made in U.S.A.

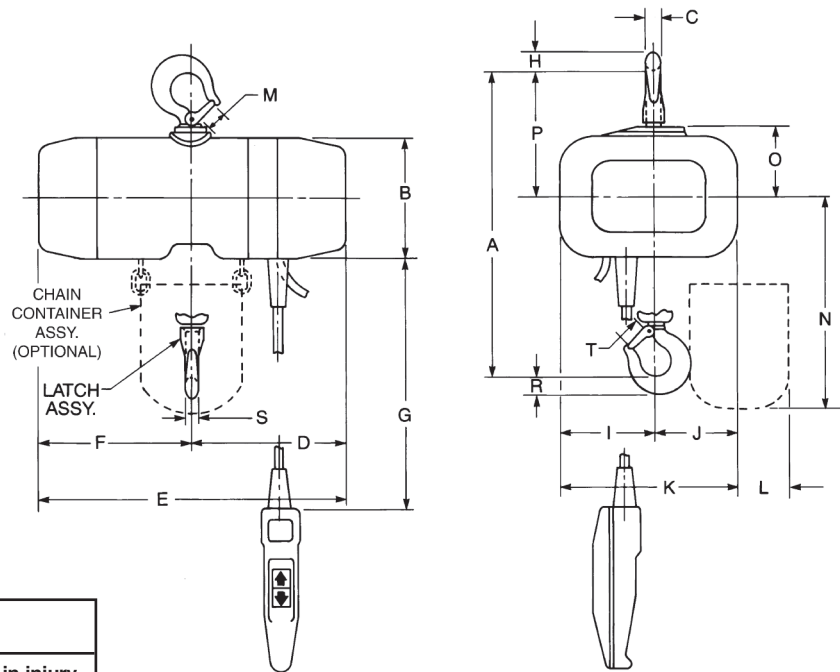


## Specifications

	Product code		Model	Max. capacity tons	Hoist lifting speed FPM	Reeving	Approximate shipping wt. (lbs.)	
	115-1-60	230/460 3-60					115-1-60	230/460 3-60
<b>Single speed 10' lift</b>	2401	2402	WB	1/4	16	single	54	58
	2403	2404	WF	1/2	16	single	60	58
	2405	2406	WH	1	8	double	70	68
	2407	2408	WL	1	16	single	105	106
	2409	2410	WR	2	8	double	130	122
<b>Single speed 15' lift</b>	2401B	2402B	WB	1/4	16	single	64	62
	2403B	2404B	WF	1/2	16	single	64	62
	2405B	2406B	WH	1	8	double	77	75
	2407B	2408B	WL	1	16	single	111	112
	2409B	2410B	WR	2	8	double	136	128
<b>Single speed 20' lift</b>	2401C	2402C	WB	1/4	16	single	68	66
	2403C	2404C	WF	1/2	16	single	68	66
	2405C	2406C	WH	1	8	double	84	82
	2407C	2408C	WL	1	16	single	116	117
	2409C	2410C	WR	2	8	double	150	142

Longer lifts and modifications available. Apply for details.

# Valustar -Specifications



**\*WARNING**

**Overloading and improper use can result in injury.**

**To avoid injury:**

- Do not exceed working load limit, load rating capacity
- Do not use to lift people or loads over people.
- use only alloy chain for overhead lifting.
- Read and follow all instructions.

## Clearance dimensions (in.)

Rated capacity\* (tons)

Dimension	1/4	1/2	1/2	1	1/2	1	2
	Model WB	Model WF	Model WE	Model WH	Model WJ	Model WL	Model WR
A	14 <sup>1</sup> / <sub>4</sub>	14 <sup>1</sup> / <sub>4</sub>	17 <sup>7</sup> / <sub>8</sub>	17 <sup>7</sup> / <sub>8</sub>	15 <sup>9</sup> / <sub>16</sub>	15 <sup>9</sup> / <sub>16</sub>	22 <sup>1</sup> / <sub>2</sub>
B	6 <sup>1</sup> / <sub>8</sub>	6 <sup>1</sup> / <sub>8</sub>	6 <sup>1</sup> / <sub>8</sub>	6 <sup>1</sup> / <sub>8</sub>	7 <sup>5</sup> / <sub>8</sub>	7 <sup>5</sup> / <sub>8</sub>	7 <sup>5</sup> / <sub>8</sub>
C	1 <sup>1</sup> / <sub>16</sub>	1 <sup>1</sup> / <sub>16</sub>	7 <sup>7</sup> / <sub>8</sub>	7 <sup>7</sup> / <sub>8</sub>	7 <sup>7</sup> / <sub>8</sub>	7 <sup>7</sup> / <sub>8</sub>	1 <sup>1</sup> / <sub>8</sub>
D	8	8	8	8	9	9	9
E	16 <sup>1</sup> / <sub>16</sub>	16 <sup>1</sup> / <sub>16</sub>	16 <sup>1</sup> / <sub>16</sub>	16 <sup>1</sup> / <sub>16</sub>	20 <sup>3</sup> / <sub>16</sub>	20 <sup>3</sup> / <sub>16</sub>	20 <sup>3</sup> / <sub>16</sub>
F	8 <sup>1</sup> / <sub>16</sub>	8 <sup>1</sup> / <sub>16</sub>	8 <sup>1</sup> / <sub>16</sub>	8 <sup>1</sup> / <sub>16</sub>	11 <sup>3</sup> / <sub>16</sub>	11 <sup>3</sup> / <sub>16</sub>	11 <sup>3</sup> / <sub>16</sub>
G**	6'-3"	6'-3"	6'-3"	6'-3"	6'-3"	6'-3"	6'-3"
H	1	1	1 <sup>3</sup> / <sub>16</sub>	1 <sup>3</sup> / <sub>16</sub>	1 <sup>3</sup> / <sub>16</sub>	1 <sup>3</sup> / <sub>16</sub>	1 <sup>1</sup> / <sub>2</sub>
I	4 <sup>13</sup> / <sub>16</sub>	4 <sup>13</sup> / <sub>16</sub>	3 <sup>7</sup> / <sub>8</sub>	3 <sup>7</sup> / <sub>8</sub>	7 <sup>1</sup> / <sub>4</sub>	7 <sup>1</sup> / <sub>4</sub>	6 <sup>3</sup> / <sub>16</sub>
J	3 <sup>15</sup> / <sub>16</sub>	3 <sup>15</sup> / <sub>16</sub>	4 <sup>7</sup> / <sub>8</sub>	4 <sup>7</sup> / <sub>8</sub>	5 <sup>7</sup> / <sub>16</sub>	5 <sup>7</sup> / <sub>16</sub>	6 <sup>1</sup> / <sub>2</sub>
K	8 <sup>3</sup> / <sub>4</sub>	8 <sup>3</sup> / <sub>4</sub>	8 <sup>3</sup> / <sub>4</sub>	8 <sup>3</sup> / <sub>4</sub>	12 <sup>11</sup> / <sub>16</sub>	12 <sup>11</sup> / <sub>16</sub>	12 <sup>11</sup> / <sub>16</sub>
L	1 <sup>1</sup> / <sub>16</sub>	1 <sup>1</sup> / <sub>16</sub>	1 <sup>1</sup> / <sub>16</sub>	1 <sup>1</sup> / <sub>16</sub>	7 <sup>1</sup> / <sub>16</sub>	7 <sup>1</sup> / <sub>16</sub>	7 <sup>1</sup> / <sub>16</sub>
M	1	1	1 <sup>1</sup> / <sub>8</sub>	1 <sup>1</sup> / <sub>8</sub>	1 <sup>1</sup> / <sub>8</sub>	1 <sup>1</sup> / <sub>8</sub>	1 <sup>5</sup> / <sub>16</sub>
N**	12 <sup>15</sup> / <sub>16</sub>	12 <sup>15</sup> / <sub>16</sub>	15 <sup>15</sup> / <sub>16</sub>	15 <sup>15</sup> / <sub>16</sub>	16 <sup>11</sup> / <sub>16</sub>	16 <sup>11</sup> / <sub>16</sub>	22 <sup>11</sup> / <sub>16</sub>
O	3 <sup>9</sup> / <sub>16</sub>	3 <sup>9</sup> / <sub>16</sub>	3 <sup>9</sup> / <sub>16</sub>	3 <sup>9</sup> / <sub>16</sub>	4	4	4
P	6 <sup>9</sup> / <sub>16</sub>	6 <sup>3</sup> / <sub>16</sub>	6 <sup>1</sup> / <sub>2</sub>	6 <sup>1</sup> / <sub>2</sub>	6 <sup>7</sup> / <sub>8</sub>	6 <sup>7</sup> / <sub>8</sub>	7 <sup>3</sup> / <sub>8</sub>
R	1	1	1 <sup>3</sup> / <sub>16</sub>	1 <sup>3</sup> / <sub>16</sub>	1 <sup>3</sup> / <sub>16</sub>	1 <sup>3</sup> / <sub>16</sub>	1 <sup>1</sup> / <sub>2</sub>
S	1 <sup>1</sup> / <sub>16</sub>	1 <sup>1</sup> / <sub>16</sub>	7 <sup>7</sup> / <sub>8</sub>	7 <sup>7</sup> / <sub>8</sub>	7 <sup>7</sup> / <sub>8</sub>	7 <sup>7</sup> / <sub>8</sub>	1 <sup>1</sup> / <sub>8</sub>
T	1	1	1 <sup>1</sup> / <sub>8</sub>	1 <sup>1</sup> / <sub>8</sub>	1 <sup>1</sup> / <sub>8</sub>	1 <sup>1</sup> / <sub>8</sub>	1 <sup>5</sup> / <sub>16</sub>

\*\* Based on 10 foot lift units