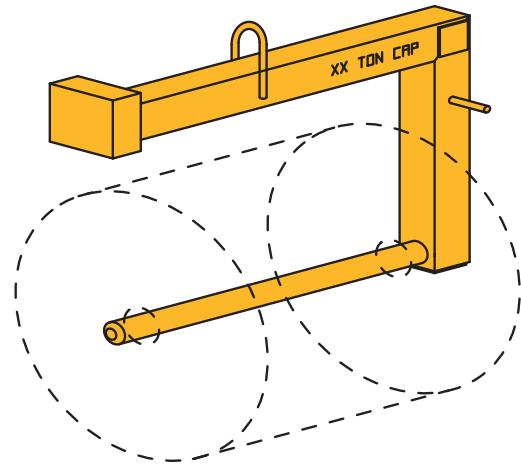


## ROLL LIFTING C-HOOKS

The CM Cady Roll Lifting C-Hook is designed to handle rolls by inserting a round arm into the roll I.D. This unit is counter balanced to hang level when empty for ease of insertion into the roll core. Guide handle is standard. Lifter parking stand can be furnished if required.

**CAPACITIES** UP TO 5 TONS



## ROLL POSITIONERS

The CM Cady Low Platform Roll Upender/Downender allows rolls to be repositioned by 90° rotation. The low platform is desirable in those applications where headroom is restricted. Hydraulic controls are standard.

**CAPACITIES** UP TO 7 1/2 TONS

### The Heavy Duty Roll Positioner

is available with a mechanical drive. This model requires additional platform height.

**CAPACITIES** UP TO 30 TONS

