

# **mansaver**<sup>®</sup>

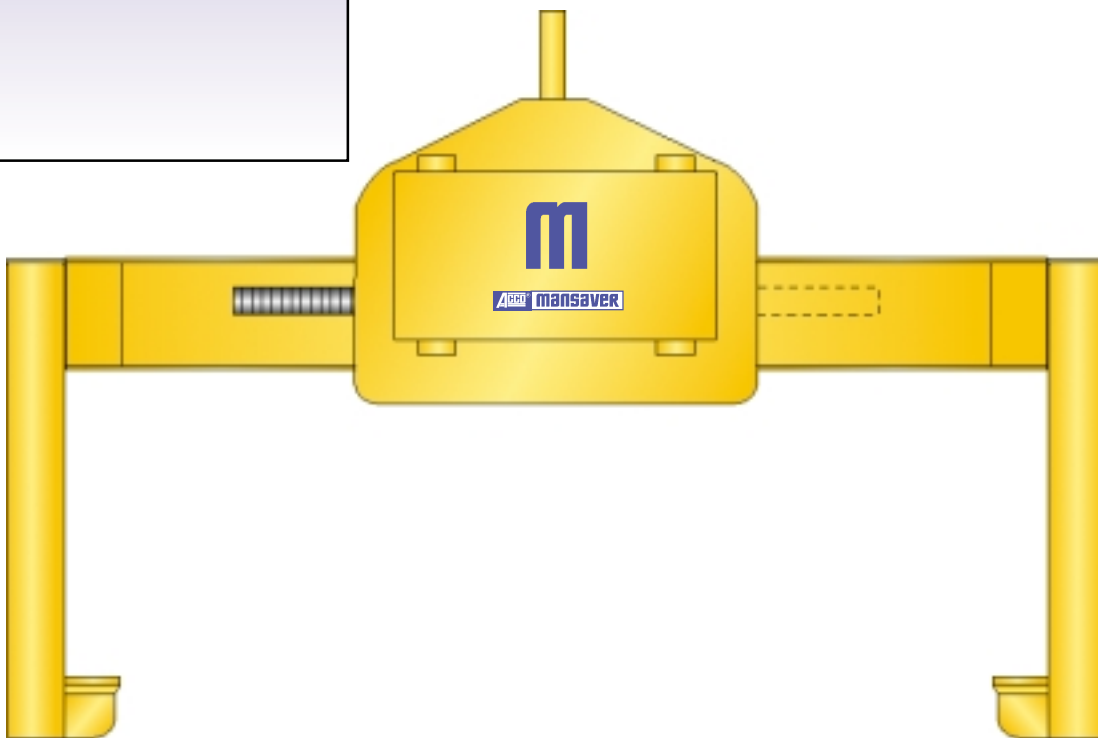
- Telescoping coil grabs for all applications.
- Designed for safety and ease of use.
- Available in any required load capacity.

# G1362 Coil Grabs

## G1362 TELESCOPING COIL GRABS

Mansaver<sup>®</sup> offers G1362 telescoping coil grabs in both standard configurations or special designs to meet the requirements of your lifting applications.

Telescoping coil grabs handle a wide range of coil sizes and minimize coil damage. All ACCO lifters conform to ASME B30.20 standards for below-the-hook lifters. Standard paint is ACCO safety yellow machine enamel.



- Motorized coil grab
- Plate type bail

*Authorized Sales & Service*

**J. HERBERT CORPORATION**

Call 1-800-255-0588

407-846-0588 Fax: 846-1066

info@jherbertcorp.com

Visit us online:

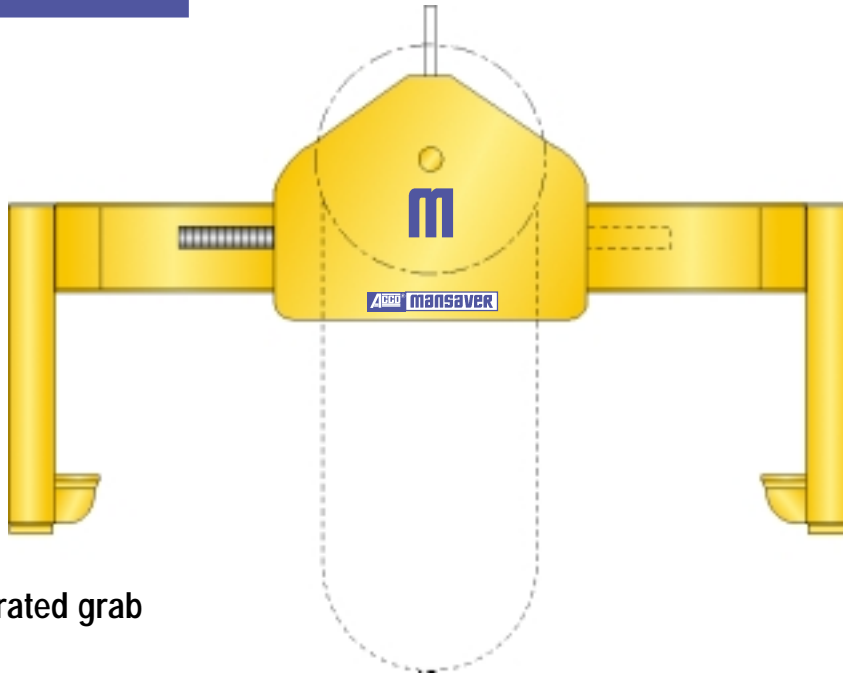
[www.jherbertcorp.com](http://www.jherbertcorp.com)

**ACCO**<sup>®</sup> 4.2.1

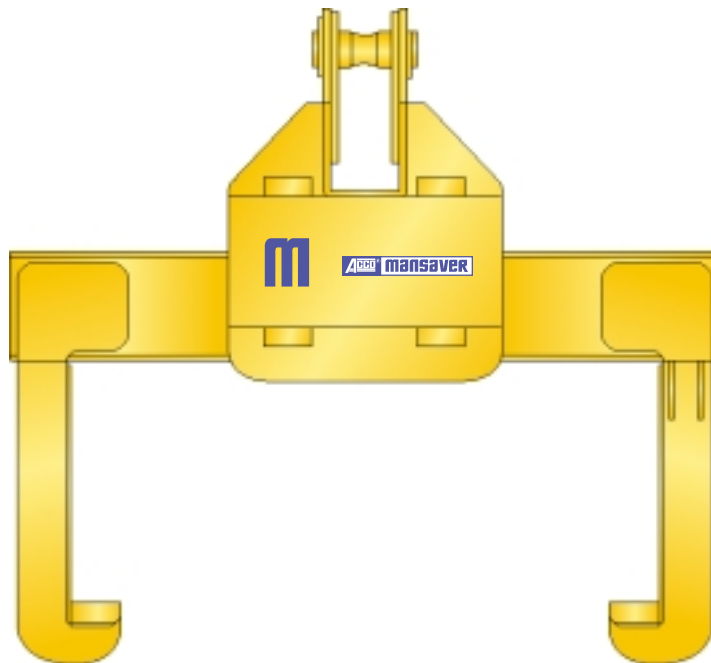
**mansaver®**

*"The Lifting Power You Need."*

# G1362 Coil Grabs



- Chainwheel operated grab
- Plate type bail



- Motorized grab with pin style bail
- Bail pins can be designed for easy replacement

**4.2.2** 

*Authorized Sales & Service*  
**J. HERBERT CORPORATION**  
Call 1-800-255-0588  
407-846-0588 Fax: 846-1066  
info@jherbertcorp.com

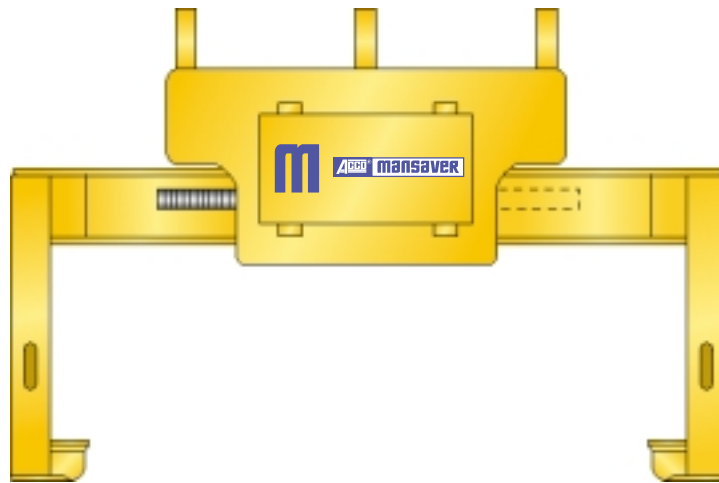
Visit us online:  
[www.jherbertcorp.com](http://www.jherbertcorp.com)

© 2000 FKI Industries Inc. 6991-0018 JGD 2M 0600 Printed in U.S.A.

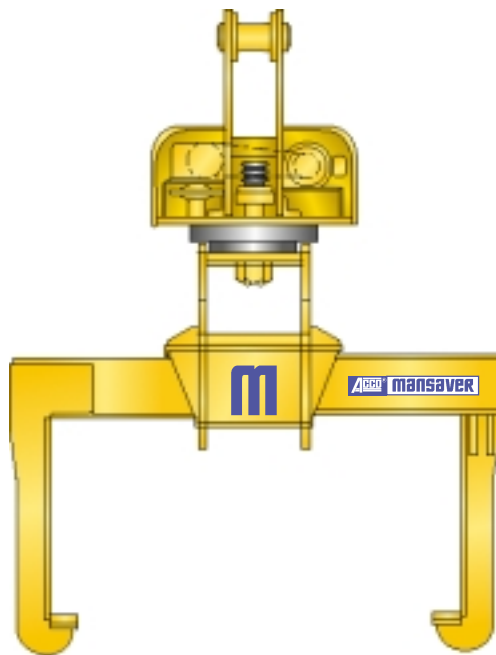
**mansaver**<sup>®</sup>

*"The Lifting Power You Need."*

# G1362 Coil Grabs



- Motorized grab with (3) lifting bails



- Motorized grab with power rotation
- Rotation can be continuous or stop to stop

*Authorized Sales & Service*  
**J. HERBERT CORPORATION**  
Call 1-800-255-0588  
407-846-0588 Fax: 846-1066  
info@jherbertcorp.com  
**Visit us online:**  
[www.jherbertcorp.com](http://www.jherbertcorp.com)

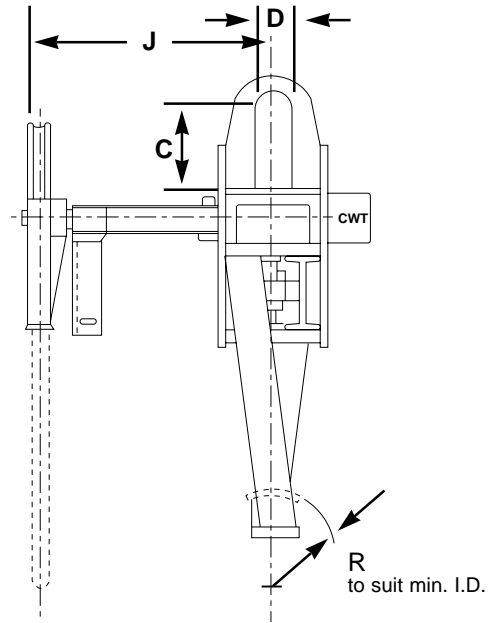
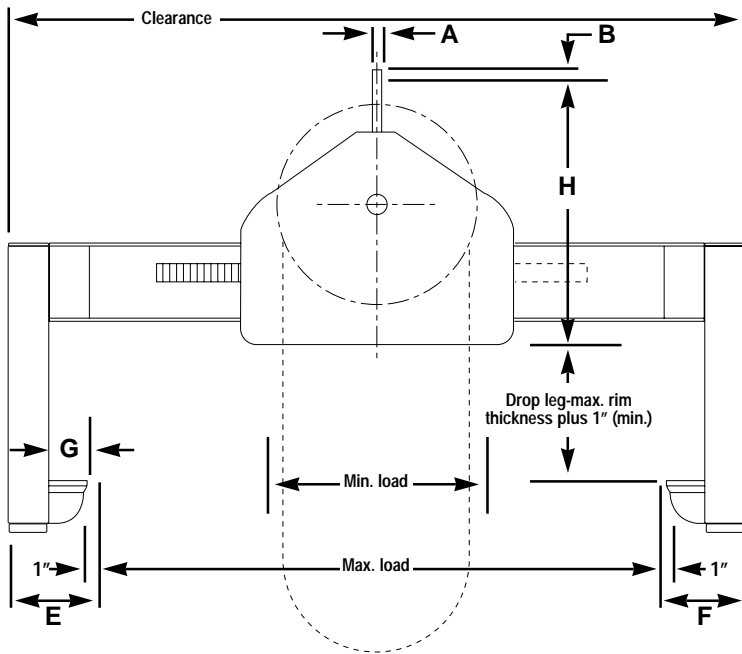
**ABCO**<sup>®</sup> 4.2.3

# mansaver®

"The Lifting Power You Need."

## G1362 Coil Grabs

### Telescopic Coil Lifters (Manual)



#### DIMENSIONS:

CAPACITY	A	B	C	D	E	F	G	H	J
5 TON	1-1/4	2	8	3	6	7	3	22	20
10 TON	1-3/4	2-3/4	12	4	8	9	4	32	24
15 TON	2	3-1/4	12	4	10	11	5	34	30

All dimensions shown are in inches and are approximate.

4.2.4 

Authorized Sales & Service  
**J. HERBERT CORPORATION**

Call 1-800-255-0588  
407-846-0588 Fax: 846-1066  
info@jherbertcorp.com

Visit us online:  
www.jherbertcorp.com

© 2000 FKI Industries Inc. 6991-0018 JGD 2M 0600 Printed in U.S.A.

**mansaver**<sup>®</sup>

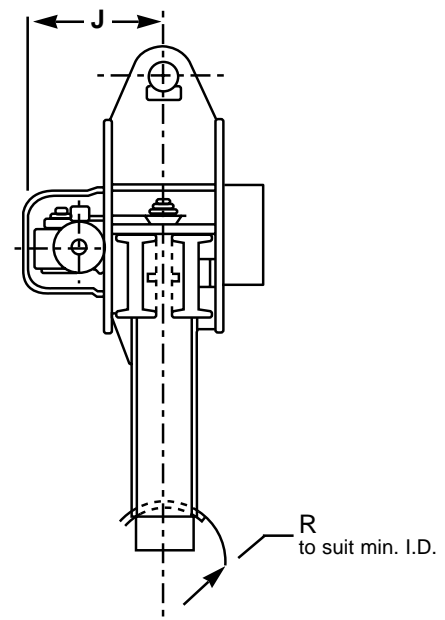
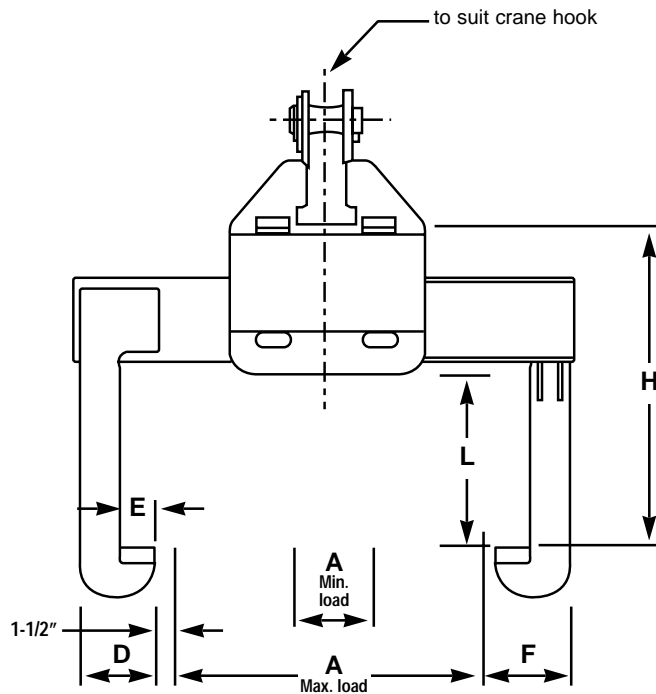
*"The Lifting Power You Need."*

# G1362 Coil Grabs

## Telescopic Coil Lifters (Motorized)

Capacity in Tons	Coil Width		Std. Drop Leg L	Leg Width D	Toe Length E	Lifter Height H	J	Est. Weight Lbs.
	Min. A	Max. A						
7-1/2	16	48	25	8	4	45	18	1,200
10	16	48	25	8	4	45	18	1,400
15	20	60	25	10	5	45	18	1,700
20	24	72	30	11	5	45	18	2,500
25	24	72	30	11	5	55	26	4,000
30	24	72	30	12-1/2	6	58	26	5,500
35	24	72	30	12-1/2	6	58	26	6,200
40	24	78	33	15-1/2	6	64	28	6,500
45	24	78	33	15-1/2	6	64	28	7,500

All dimensions shown are in inches and are approximate.



Authorized Sales & Service

**J. HERBERT CORPORATION**

Call 1-800-255-0588

407-846-0588 Fax: 846-1066

info@jherbertcorp.com

Visit us online:

www.jherbertcorp.com

**ABCO**<sup>®</sup> 4.2.5

# **mansaver**<sup>®</sup>

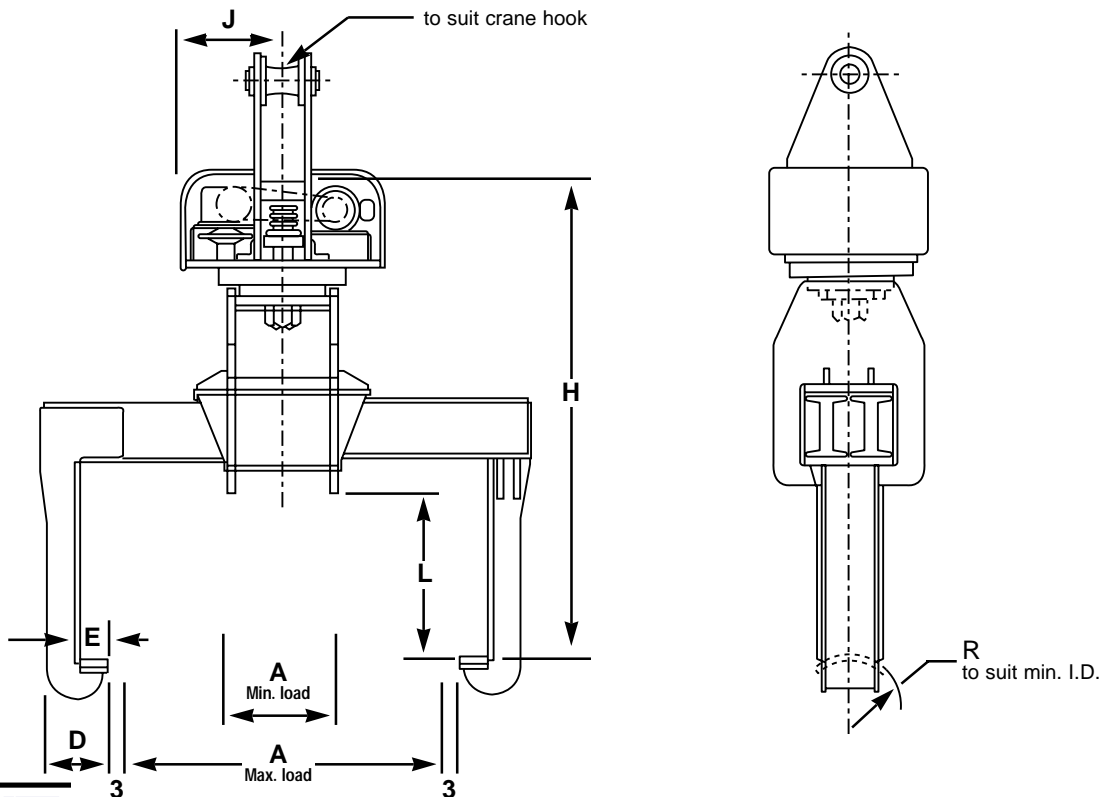
*"The Lifting Power You Need."*

## G1362 Coil Grabs

### Standard Telescopic Coil Lifters with Rotation

Capacity in Tons	Coil Width		Std. Drop Leg L	Leg Width D	Toe Length E	Lifter Height H	J	Est. Weight Lbs.
	Min. A	Max. A						
7-1/2	16	48	25	8	4	58	18	2,200
10	16	48	25	8	4	58	18	2,500
15	20	60	25	10	5	62	18	3,200
20	24	72	30	11	5	62	18	4,200
25	24	72	30	11	5	89	18	5,200
30	24	72	30	12-1/2	6	92	18	6,700
35	24	72	30	12-1/2	6	92	22	7,400
40	24	78	33	15-1/2	6	95	22	8,000
45	24	78	33	15-1/2	6	95	22	9,000

All dimensions shown are in inches and are approximate.



**4.2.6** **ACCO**<sup>®</sup>

Authorized Sales & Service  
**J. HERBERT CORPORATION**  
 Call 1-800-255-0588  
 407-846-0588 Fax: 846-1066  
 info@jherbertcorp.com  
 Visit us online:  
 www.jherbertcorp.com

© 2000 FKI Industries Inc. 6991-0018 JGD 2M 0600 Printed in U.S.A.



# G1362 Coil Grabs

## Selection Guide

All Mansaver® G1362 telescoping coil grabs are designed to perform specific lifting tasks in conjunction with other lifting equipment. The grab examples and standard model descriptions on the preceding pages are intended to assist in determining what grab is best suited to your lifting task. Please supply available application information and submit to the ACCO Mansaver® sales department for pricing and further assistance in equipment choice.

All ACCO MANSAYER® Products meet or exceed ANSI B.30.20\* for "Below The Hook" lifting devices.  
 All ACCO MANSAYER® Products have a one year warranty on workmanship and materials.\*\*  
 \* Please refer to ANSI Standards B.30.20 and B.30.9 for all lifting applications and guidelines.  
 \*\* Consult the factory for further details.

### LOAD INFORMATION:

Load description (steel, aluminum, or other coils): \_\_\_\_\_

I.D. range: \_\_\_\_\_

O.D. range: \_\_\_\_\_

Face width range: \_\_\_\_\_

Maximum load weight: \_\_\_\_\_

### GRAB INFORMATION:

Required grab capacity: \_\_\_\_\_

Capacity of the hoist the grab will used with: \_\_\_\_\_

Lifter type (manual, powered, rotating, other): \_\_\_\_\_

Lifter suspension (pin or plate, double, sheaves): \_\_\_\_\_

Options (load weight readout, special limit switches, other): \_\_\_\_\_

Lifting Hoist Hook Information on reverse side

**Clear Form**

*Authorized Sales & Service*  
**J. HERBERT CORPORATION**  
 Call 1-800-255-0588  
 407-846-0588 Fax: 846-1066  
 info@jherbertcorp.com  
 Visit us online:  
 www.jherbertcorp.com



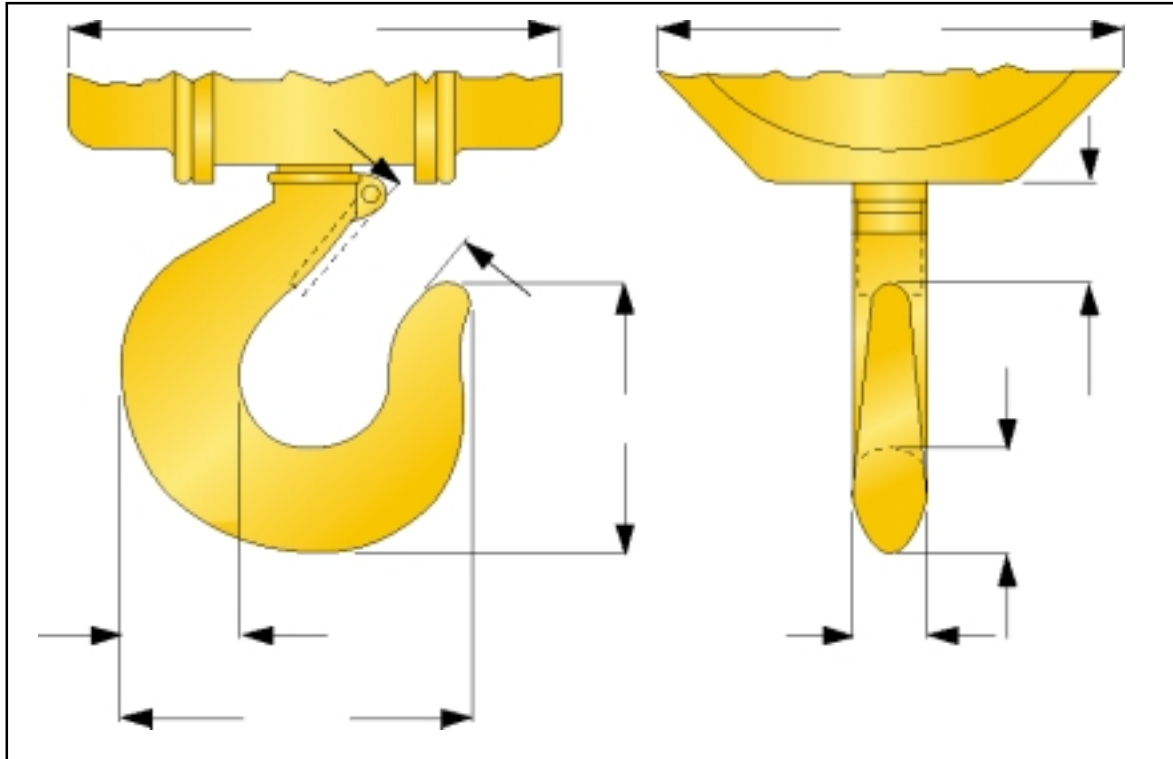
**mansaver<sup>®</sup>**

*"The Lifting Power You Need."*

# G1362 Coil Grabs

## Lifting Hoist Hook Information

*(Please Fill Out Completely)*



**Acco<sup>®</sup> Acco Chain & Lifting Products Division**

76 Acco Drive, Box 792, York, PA 17405  
Telephone 800-967-7333 Fax 800-715-8897  
www.accolifting.com

PART OF THE **FKI** GROUP OF COMPANIES

**Acco<sup>®</sup> 4.2.8**

*Authorized Sales & Service*

**J. HERBERT CORPORATION**

Call 1-800-255-0588  
407-846-0588 Fax: 846-1066  
info@jherbertcorp.com

Visit us online:  
www.jherbertcorp.com