

## ACCOLIFT® HOISTS - FEATURES



### Weston Style Mechanical Load Brake

Weston Style Mechanical Load Brake, working in conjunction with disc type motor brake, provides a dual braking system for load lowering control. Mechanical Load Brake can easily be inspected thru the inspection port provided on the top of the gearbox.



### Hoist Motor Brake

Hoist motor brake is a direct acting DC rectified brake with exceptional stopping power providing cooler operating temperatures for the motor. Electric brake is designed for easy access and simple maintenance.



### Overload Alert

Overload Alert is a current sensing device that stops the up motion of the hoist and sets off an audible alarm when the hoist motor draws too many amps due to an overload condition. When the hoist is lowered, the alarm stops and the overload device is reset.



### Push Button Control

Compact design to enable one-handed operation. Rated NEMA 4 protection. Mushroom on/off button included. Push button cable has strain relief built in to prevent cable damage.



### Electric Control Panel

Single speed hoists are reconnectable for 208/230/460V power supply. Controls are housed in a NEMA12 enclosure. Standard control transformer output is 115V with an option available for 48V. Standard power supply cord length is 15'.



### Variable Frequency Drive

VFD hoists are available programmed for 2-speed operation. VFD hoists can be supplied for 230-1-60, 208/230-3-60 and 460-3-60 power supplies. Inverter provides run time for maintenance operations.



### Heavy-Duty Hoist Motor

The hoist motor is a high torque design and is rated 30-minute duty. Class F motor insulation and standard thermal motor protection is included.



### Load Sheave / Chain Guide

Full floating chain guide assures proper engagement of chain on load sheave. Load Sheave features 4 or 5 pockets (depending on model) for better distribution of the load.



### Load Chain

Grade 80 load chain is case hardened and has a high resistance to wear and corrosion. All hoists are stocked with 20 feet of lift. Longer lifts are available per requirement. Nickel Plated load chain and Stainless Steel load chain is available as an option.



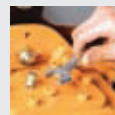
### Hooks

Load hook is a forged carbon steel hook with a heavy-duty hook latch. Thrust bearing in load hook allows 360° rotation to prevent twisting of load chain. Top hook, for hook suspended hoists, is nonrotating. Bullard hooks, Stainless Steel hooks and Bronze hooks are available for some models as an option. Contact factory.



### Chain Container

Chain container is standard equipment and is either molded with thick polypropylene material or fabricated from steel to securely contain the chain and chain lubricant. Optional canvas containers and engineered containers for long lift applications are available as an option.



### Gear Box / Oil Lubrication

The gearbox utilizes an alloy steel helical and spur gear reduction. An access port is included on the top of the gear box to allow visual inspection of the mechanical load brake. Lubrication is easily maintained from the top of the hoist.



### Push / Pull Trolley

Trolley is adjustable for a range of 3.25" to 12" flange widths with no additional materials required. Side guide rollers are included to promote smooth trolley motion and to minimize wheel and beam wear. Wheels are dual tread design for operation on tapered or flat flange beams. Trolleys include drop down lugs and rubber bumpers as standard equipment.



### Motorized Trolley

Trolley is adjustable for a range of 3.25"\* to 12" flange widths with no additional materials required. Side guide rollers are included to promote smooth trolley motion and to minimize wheel and beam wear. Wheels are dual tread design for operation on tapered or flat flange beams. Trolleys include drop down lugs and rubber bumpers as standard equipment. Trolley motor includes class F insulation and a disc type motor brake. Motor is rated for 30-minute duty and includes standard thermal motor protection.

\* 5" to 12" on 7-1/2T model.

## ACCOLIFT® HOISTS - HOOK SUSPENSION

### SINGLE SPEED HOOK SUSPENSION

| Cap. (Tons) | Model Number | Std. Lift (ft.) | Push Button Cord Length (ft.) | Lifting Speed (fpm) | Hoist Motor |           |      | Load Chain Diameter (in.) X Chain Fall Lines | Add'l 1 ft. of Lift (lbs.) | Net Wt. (lbs.) |
|-------------|--------------|-----------------|-------------------------------|---------------------|-------------|-----------|------|--|----------------------------|----------------|
|             |              |                 |                               |                     | HP          | Amp. Draw |      |  |                            |                |
|             |              |                 |                               |                     |             | 208/230V  | 460V |  |                            |                |
| 1           | 2130020      | 20              | 18                            | 17                  | 2.0         | 8.8/8.0   | 4.0  | .280 x (1)                                   | 0.75                       | 165            |
| 1           | 2130030      |                 |                               | 27                  | 2.4         | 9.2/8.4   | 4.2  | .280 x (1)                                   | 0.75                       | 165            |
| 2           | 2130040      |                 |                               | 13                  | 2.4         | 9.2/8.4   | 4.2  | .280 x (2)                                   | 1.5                        | 198            |
| 2           | 2130050      |                 |                               | 27                  | 4.7         | 17.2/15.8 | 7.9  | .441 x (1)                                   | 1.84                       | 282            |
| 3           | 2130060      |                 |                               | 17                  | 4.7         | 17.2/15.8 | 7.9  | .374 x (2)                                   | 2.62                       | 337            |
| 3           | 2130065      |                 |                               | 21                  | 4.7         | 17.2/15.8 | 7.9  | .441 x (1)                                   | 1.84                       | 286            |
| 5           | 2130070      |                 |                               | 11                  | 4.7         | 17.2/15.8 | 7.9  | .441 x (2)                                   | 3.68                       | 384            |
| 7.5         | 2130075      |                 |                               | 7                   | 4.7         | 17.2/15.8 | 7.9  | .441 x (3)                                   | 5.52                       | 536            |
| 10          | 2130080      |                 |                               | 11                  | 4.7 x (2)   | 34.4/31.6 | 15.8 | .441 x (4)                                   | 7.36                       | 964            |
| 15          | 2130090      |                 |                               | 7                   | 4.7 x (2)   | 34.4/31.6 | 15.8 | .441 x (6)                                   | 11.04                      | 1786           |
| 20          | 2130095      |                 |                               | 6                   | 4.7 x (2)   | 34.4/31.6 | 15.8 | .441 x (8)                                   | 14.72                      | 2030           |

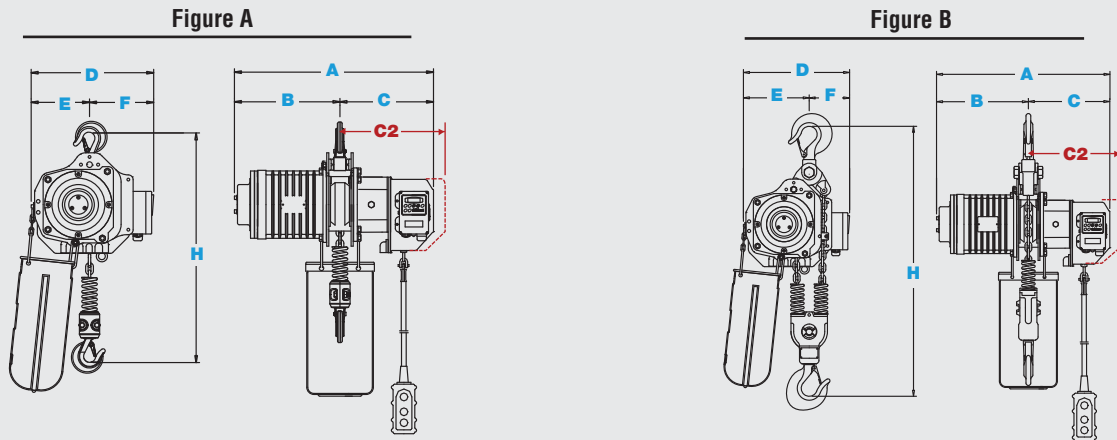
### INVERTER CONTROL HOOK SUSPENSION

| Cap. (Tons) | Model Number      | Std. Lift (ft.) | Push Button Cord Length (ft.) | Lifting Speed (fpm) | Hoist Motor |           |      | Load Chain Diameter (in.) X Chain Fall Lines | Add'l 1 ft. of Lift (lbs.) | Net Wt. (lbs.) |
|-------------|-------------------|-----------------|-------------------------------|---------------------|-------------|-----------|------|--|----------------------------|----------------|
|             |                   |                 |                               |                     | HP          | Amp. Draw |      |  |                            |                |
|             |                   |                 |                               |                     |             | 208/230V  | 460V |  |                            |                |
| 1           | 2130030-VFD       | 20              | 18                            | 21/7                | 2.4         | 9.2/8.4   | 4.2  | .280 x (1)                                   | 0.75                       | 165            |
| 2           | 2130050-VFD       |                 |                               | 21/7                | 4.7         | 18.4/16.8 | 7.9  | .441 x (1)                                   | 1.84                       | 282            |
| 3           | 2130060-VFD       |                 |                               | 15/5                | 4.7         | 18.4/16.8 | 7.9  | .374 x (2)                                   | 2.62                       | 337            |
| 3           | 2130060-VFD-230-1 |                 |                               | 15/5                | 4.7         | 18.4/16.8 | -    | .374 x (2)                                   | 2.62                       | 337            |
| 3           | 2130065-VFD       |                 |                               | 21/7                | 4.7         | 18.4/16.8 | 7.9  | .441 x (1)                                   | 1.84                       | 286            |
| 5           | 2130070-VFD       |                 |                               | 11/4                | 4.7         | 18.4/16.8 | 7.9  | .441 x (2)                                   | 3.68                       | 384            |
| 7.5         | 2130075-VFD       |                 |                               | 7/3                 | 4.7         | 18.4/16.8 | 7.9  | .441 x (3)                                   | 5.52                       | 536            |
| 10          | 2130080-VFD       |                 |                               | 11/4                | 4.7 x (2)   | 34.4/31.6 | 15.8 | .441 x (4)                                   | 7.36                       | 964            |
| 15          | 2130090-VFD       |                 |                               | 7/3                 | 4.7 x (2)   | 34.4/31.6 | 15.8 | .441 x (6)                                   | 11.04                      | 1786           |
| 20          | 2130095-VFD       |                 |                               | 6/2                 | 4.7 x (2)   | 34.4/31.6 | 15.8 | .441 x (8)                                   | 14.72                      | 2030           |

*Authorized Sales & Service*  
**J. HERBERT CORPORATION**  
 Call 1-800-255-0588  
 407-846-0588 Fax: 846-1066  
 info@jherbertcorp.com  
 Visit us online:  
[www.jherbertcorp.com](http://www.jherbertcorp.com)

## DIMENSIONS - HOOK SUSPENSION

### 1 TO 5 TON HOOK SUSPENSION HOISTS:



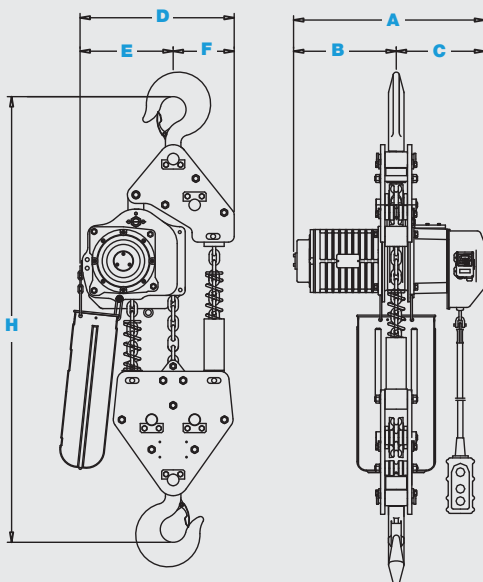
Dimensions in Inches (Nominal). *For hook dimensions, see page 18.*

| Model Number      | A    | B    | C    | C2*  | D    | E    | F    | H    | Figure |
|-------------------|------|------|------|------|------|------|------|------|--------|
| 2130020           | 22.9 | 12.1 | 10.8 | -    | 14.2 | 6.7  | 7.5  | 20   | A      |
| 2130030           | 22.9 | 12.1 | 10.8 | 12.8 | 14.2 | 6.7  | 7.5  | 20   | A      |
| 2130040           | 22.9 | 12.1 | 10.8 | -    | 14.2 | 8.9  | 5.3  | 30   | B      |
| 2130050           | 26.4 | 14.1 | 12.3 | 13.5 | 16.8 | 7.7  | 9.1  | 28.5 | A      |
| 2130060           | 26.4 | 14.1 | 12.3 | 13.5 | 16.8 | 10.2 | 6.6  | 36   | B      |
| 2130060-VFD-230-1 | 27.6 | 14.1 | 13.5 | 13.5 | 16.8 | 10.2 | 6.6  | 36   | B      |
| 2130065           | 26.4 | 14.1 | 12.3 | 13.5 | 16.8 | 7.7  | 9.1  | 30   | A      |
| 2130070           | 26.4 | 14.1 | 12.3 | 13.5 | 16.8 | 10.7 | 6.1  | 42   | B      |
| 2130075           | 26.4 | 14.1 | 12.3 | 13.5 | 21.2 | 12.8 | 8.4  | 57.7 | C      |
| 2130080           | 28.2 | 14.1 | 14.1 | 14.1 | 48.8 | 24.4 | 24.4 | 57.4 | D      |
| 2130090           | 30   | 15   | 15   | 16.2 | 53.9 | 27   | 27   | 70.4 | D      |
| 2130095           | 31.8 | 15.9 | 15.9 | 17.1 | 53.9 | 27   | 27   | 70.4 | D      |

\* Inverter Control Models only.

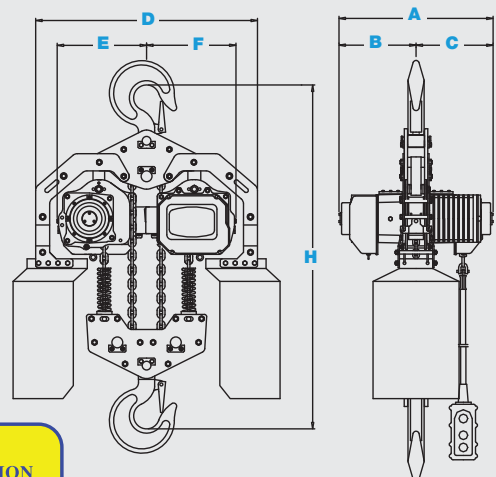
### 7-1/2 TON HOOK SUSPENSION HOIST:

Figure C



### 10 TON TO 20 TON HOOK SUSPENSION HOISTS:

Figure D



Authorized Sales & Service  
**J. HERBERT CORPORATION**  
 Call 1-800-255-0588  
 407-846-0588 Fax: 846-1066  
 info@jherbertcorp.com

Visit us online:  
[www.jherbertcorp.com](http://www.jherbertcorp.com)

## ACCOLIFT® HOISTS - PUSH / PULL TROLLEY

### SINGLE SPEED PUSH / PULL TROLLEY

| Cap.<br>(Tons) | Model<br>Number | Std.<br>Lift<br>(ft.) | Push<br>Button<br>Cord<br>Length<br>(ft.) | Lifting<br>Speed<br>(fpm) | Hoist Motor |              |      | Flange<br>Width<br>Adjustability<br>(in.) | Wheel<br>Diameter | Min.<br>Beam<br>Radius<br>(in.) | Load Chain<br>Diameter<br>(in.) X<br>Chain Fall<br>Lines | Add'l<br>1 ft. of<br>Lift<br>(lbs.) | Net<br>Wt.<br>(lbs.) |
|----------------|-----------------|-----------------------|---|---------------------------|-------------|--------------|------|---|-------------------|---------------------------------|--|-------------------------------------|----------------------|
|                |                 |                       |   |                           | HP          | Amp. Draw    |      |   |                   |                                 |  |                                     |                      |
|                |                 |                       |   |                           |             | 208/<br>230V | 460V |   |                   |                                 |  |                                     |                      |
| 1              | 2130020-PT      | 20                    | 18  | 17                        | 2.0         | 8.8/8.0      | 4.0  | 3.25 to 12                                | 3.7               | 32                              | .280 x (1)   | 0.75                                | 174                  |
| 1              | 2130030-PT      |                       |   | 27                        | 2.4         | 9.2/8.4      | 4.2  | 3.25 to 12                                | 3.7               | 32                              | .280 x (1)   | 0.75                                | 174                  |
| 2              | 2130040-PT      |                       |   | 13                        | 2.4         | 9.2/8.4      | 4.2  | 3.25 to 12                                | 4.3               | 32                              | .280 x (2)   | 1.5                                 | 229                  |
| 2              | 2130050-PT      |                       |   | 27                        | 4.7         | 17.2/15.8    | 7.9  | 3.25 to 12                                | 4.3               | 32                              | .441 x (1)   | 1.84                                | 260                  |
| 3              | 2130060-PT      |                       |   | 17                        | 4.7         | 17.2/15.8    | 7.9  | 3.25 to 12                                | 4.9               | 40                              | .374 x (2)   | 2.62                                | 404                  |
| 3              | 2130065-PT      |                       |   | 21                        | 4.7         | 17.2/15.8    | 7.9  | 3.25 to 12                                | 4.9               | 40                              | .441 x (1)   | 1.84                                | 293                  |
| 5              | 2130070-PT      |                       |   | 11                        | 4.7         | 17.2/15.8    | 7.9  | 3.25 to 12                                | 5.5               | 72*                             | .441 x (2)   | 3.68                                | 523                  |

### INVERTER CONTROL PUSH / PULL TROLLEY

| Cap.<br>(Tons) | Model<br>Number      | Std.<br>Lift<br>(ft.) | Push<br>Button<br>Cord<br>Length<br>(ft.) | Lifting<br>Speed<br>(fpm) | Hoist Motor |              |      | Flange<br>Width<br>Adjustability<br>(in.) | Wheel<br>Diameter | Min.<br>Beam<br>Radius<br>(in.) | Load Chain<br>Diameter<br>(in.) X<br>Chain Fall<br>Lines | Add'l<br>1 ft. of<br>Lift<br>(lbs.) | Net<br>Wt.<br>(lbs.) |
|----------------|----------------------|-----------------------|---|---------------------------|-------------|--------------|------|---|-------------------|---------------------------------|--|-------------------------------------|----------------------|
|                |                      |                       |   |                           | HP          | Amp. Draw    |      |   |                   |                                 |  |                                     |                      |
|                |                      |                       |   |                           |             | 208/<br>230V | 460V |   |                   |                                 |  |                                     |                      |
| 1              | 2130030-VFD-PT       | 20                    | 18  | 21/7                      | 2.4         | 9.2/8.4      | 4.2  | 3.25 to 12                                | 3.7               | 32                              | .280 x (1)   | 0.75                                | 174                  |
| 2              | 2130050-VFD-PT       |                       |   | 21/7                      | 4.7         | 17.2/15.8    | 7.9  | 3.25 to 12                                | 4.3               | 32                              | .441 x (1)   | 1.84                                | 260                  |
| 3              | 2130060-VFD-PT       |                       |   | 15/5                      | 4.7         | 17.2/15.8    | 7.9  | 3.25 to 12                                | 4.9               | 40                              | .374 x (2)   | 2.62                                | 404                  |
| 3              | 2130060-VFD-230-1-PT |                       |   | 15/5                      | 4.7         | 17.2/15.8    | -    | 3.25 to 12                                | 4.9               | 40                              | .374 x (2)   | 2.62                                | 404                  |
| 3              | 2130065-VFD-PT       |                       |   | 21/7                      | 4.7         | 17.2/15.8    | 7.9  | 3.25 to 12                                | 4.9               | 40                              | .441 x (1)   | 1.84                                | 293                  |
| 5              | 2130070-VFD-PT       |                       |   | 11/4                      | 4.7         | 17.2/15.8    | 7.9  | 3.25 to 12                                | 5.5               | 72*                             | .441 x (2)   | 3.68                                | 523                  |

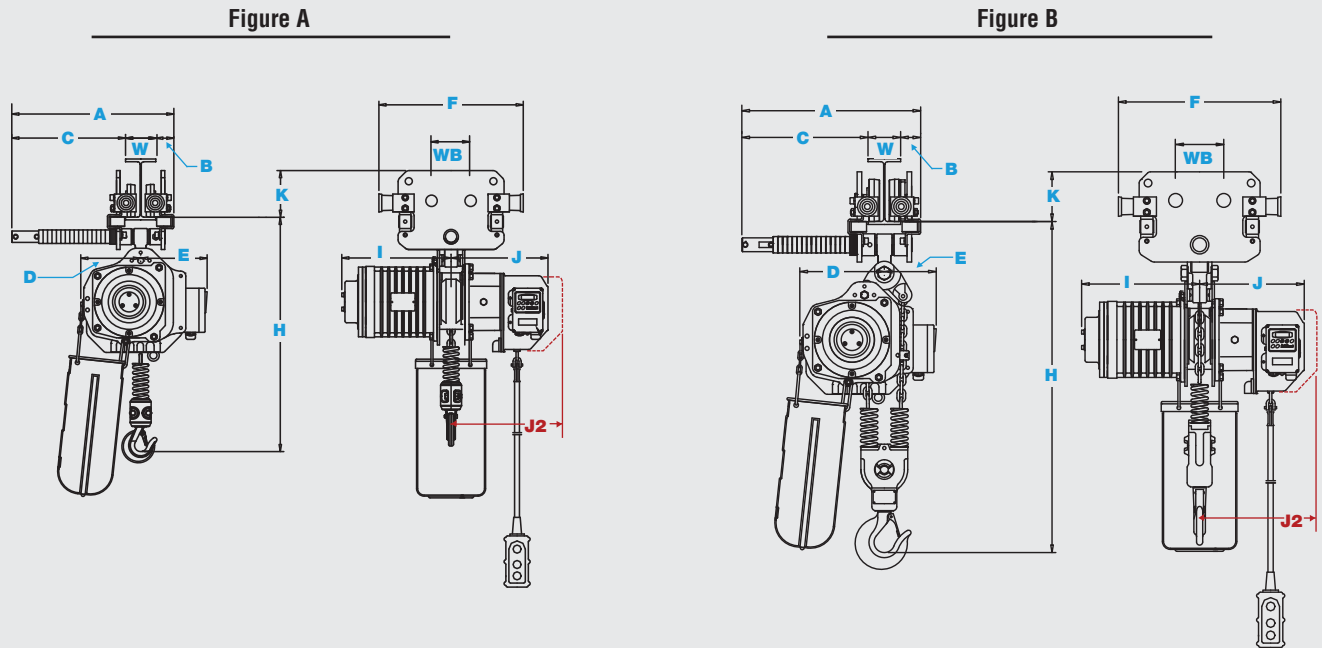
\* Applies to a beam flange width of 4" and over.



Authorized Sales & Service  
**J. HERBERT CORPORATION**  
 Call 1-800-255-0588  
 407-846-0588 Fax: 846-1066  
 info@jherbertcorp.com  
 Visit us online:  
 www.jherbertcorp.com

## DIMENSIONS - PUSH / PULL TROLLEY

### 1 TO 5 TON PUSH / PULL TROLLEY HOISTS:



Dimensions in Inches (Nominal). **For hook dimensions, see page 18.**

| Model Number         | A    | B   | C<br>W = Beam width | D    | E   | F    | H    | I    | J    | J2*  | K   | WB  | Figure |
|----------------------|------|-----|---------------------|------|-----|------|------|------|------|------|-----|-----|--------|
| 2130020-PT           | 17.9 | 2   | 15.9-W              | 6.7  | 7.5 | 16   | 21.5 | 12.1 | 10.8 | -    | 5.2 | 4.4 | A      |
| 2130030-PT           | 17.9 | 2   | 15.9-W              | 6.7  | 7.5 | 16   | 21.5 | 12.1 | 10.8 | 12.8 | 5.2 | 4.4 | A      |
| 2130040-PT           | 18.3 | 2.1 | 16.2-W              | 8.9  | 5.3 | 16.7 | 29.3 | 12.1 | 10.8 | -    | 5.1 | 4.9 | B      |
| 2130050-PT           | 18.3 | 2.1 | 16.2-W              | 7.7  | 9.1 | 16.7 | 28.2 | 14.1 | 12.3 | 13.5 | 5.1 | 4.9 | A      |
| 2130060-PT           | 18.3 | 2   | 16.3-W              | 10.2 | 6.6 | 18   | 36.2 | 14.1 | 12.3 | 13.5 | 5.8 | 5.5 | B      |
| 2130060-VFD-230-1-PT | 18.3 | 2   | 16.3-W              | 10.2 | 6.6 | 18   | 36.2 | 14.1 | 13.5 | 13.5 | 5.8 | 5.5 | B      |
| 2130065-PT           | 18.3 | 2   | 16.3-W              | 7.7  | 9.1 | 18   | 28.8 | 14.1 | 12.3 | 13.5 | 5.8 | 5.5 | A      |
| 2130070-PT           | 19.2 | 2.2 | 17-W                | 10.7 | 6.1 | 20   | 41.7 | 14.1 | 12.3 | 13.5 | 5.7 | 6.1 | B      |

\* Inverter Control Models only.

Authorized Sales & Service  
**J. HERBERT CORPORATION**  
 Call 1-800-255-0588  
 407-846-0588 Fax: 846-1066  
 info@jherbertcorp.com  
 Visit us online:  
 www.jherbertcorp.com



## ACCOLIFT® HOISTS - MOTORIZED TROLLEY

### SINGLE SPEED MOTORIZED TROLLEY

| Cap.<br>(Tons) | Model<br>Number | Std.<br>Lift<br>(ft.) | Push<br>Button<br>Cord<br>Length<br>(ft.) | Lifting<br>Speed<br>(fpm) | Trolley<br>Speed<br>(fpm) | Hoist Motor |              |      | Trolley Motor |              |      | Flange Width<br>Adjustability<br>(in.) | Wheel<br>Dia. | Min.<br>Beam<br>Radius<br>(in.) | Load Chain<br>Diameter<br>(in.) X<br>Chain Fall<br>Lines | Add'l<br>1 ft. of<br>Lift<br>(lbs.) | Net<br>Wt.<br>(lbs.) |
|----------------|-----------------|-----------------------|---|---------------------------|---------------------------|-------------|--------------|------|---------------|--------------|------|--|---------------|---------------------------------|--|-------------------------------------|----------------------|
|                |                 |                       |   |                           |                           | HP          | Amp. Draw    |      | HP            | Amp. Draw    |      |  |               |                                 |  |                                     |                      |
|                |                 |                       |   |                           |                           |             | 208/<br>230V | 460V |               | 208/<br>230V | 460V |  |               |                                 |  |                                     |                      |
| 1              | 2130120         | 20                    | 18  | 17                        | 36                        | 2.0         | 8.8/8.0      | 4.0  | 0.54          | 3.3/3.0      | 1.5  | 3.25 to 12                             | 3.7           | 32                              | .280 x (1)   | 0.75                                | 238                  |
| 1              | 2130130         |                       |   | 27                        | 36                        | 2.4         | 9.2/8.4      | 4.2  | 0.54          | 3.3/3.0      | 1.5  | 3.25 to 12                             | 3.7           | 32                              | .280 x (1)   | 0.75                                | 238                  |
| 2              | 2130140         |                       |   | 13                        | 36                        | 2.4         | 9.2/8.4      | 4.2  | 0.54          | 3.3/3.0      | 1.5  | 3.25 to 12                             | 4.3           | 32                              | .280 x (2)   | 1.5                                 | 293                  |
| 2              | 2130150         |                       |   | 27                        | 36                        | 4.7         | 17.2/15.8    | 7.9  | 0.54          | 3.3/3.0      | 1.5  | 3.25 to 12                             | 4.3           | 32                              | .441 x (1)   | 1.84                                | 388                  |
| 3              | 2130160         |                       |   | 17                        | 33                        | 4.7         | 17.2/15.8    | 7.9  | 1.0           | 4.8/4.4      | 2.2  | 3.25 to 12                             | 4.9           | 40                              | .374 x (2)   | 2.62                                | 507                  |
| 3              | 2130165         |                       |   | 21                        | 33                        | 4.7         | 17.2/15.8    | 7.9  | 1.0           | 4.8/4.4      | 2.2  | 3.25 to 12                             | 4.9           | 40                              | .441 x (1)   | 1.84                                | 449                  |
| 5              | 2130170         |                       |   | 11                        | 33                        | 4.7         | 17.2/15.8    | 7.9  | 1.0           | 4.8/4.4      | 2.2  | 3.25 to 12                             | 5.5           | 72*                             | .441 x (2)   | 3.68                                | 589                  |
| 7.5            | 2130175         |                       |   | 7                         | 33                        | 4.7         | 17.2/15.8    | 7.9  | 1.0x(2)       | 9.6/8.8      | 4.4  | 5 to 12                                | 5.5           | **                              | .441 x (3)   | 5.52                                | 1124                 |
| 10             | 2130180         |                       |   | 11                        | 33                        | 4.7x(2)     | 34.4/31.6    | 15.8 | 1.0x(2)       | 9.6/8.8      | 4.4  | 3.25 to 12                             | 5.5           | **                              | .441 x (4)   | 7.36                                | 1503                 |
| 15             | 2130190         |                       |   | 7                         | 26                        | 4.7x(2)     | 34.4/31.6    | 15.8 | 1.0x(2)       | 9.6/8.8      | 4.4  | 3.25 to 12                             | 6.3           | **                              | .441 x (6)   | 11.04                               | 2244                 |
| 20             | 2130195         |                       |   | 6                         | 26                        | 4.7x(2)     | 34.4/31.6    | 15.8 | 1.0x(2)       | 9.6/8.8      | 4.4  | 3.25 to 12                             | 6.3           | **                              | .441 x (8)   | 14.72                               | 2398                 |

### INVERTER CONTROL MOTORIZED TROLLEY

| Cap.<br>(Tons) | Model<br>Number   | Std.<br>Lift<br>(ft.) | Push<br>Button<br>Cord<br>Length<br>(ft.) | Lifting<br>Speed<br>(fpm) | Trolley<br>Speed<br>(fpm) | Hoist Motor |              |      | Trolley Motor |              |      | Flange Width<br>Adjustability<br>(in.) | Wheel<br>Dia. | Min.<br>Beam<br>Radius<br>(in.) | Load Chain<br>Diameter<br>(in.) X<br>Chain Fall<br>Lines | Add'l<br>1 ft. of<br>Lift<br>(lbs.) | Net<br>Wt.<br>(lbs.) |
|----------------|-------------------|-----------------------|---|---------------------------|---------------------------|-------------|--------------|------|---------------|--------------|------|--|---------------|---------------------------------|--|-------------------------------------|----------------------|
|                |                   |                       |   |                           |                           | HP          | Amp. Draw    |      | HP            | Amp. Draw    |      |  |               |                                 |  |                                     |                      |
|                |                   |                       |   |                           |                           |             | 208/<br>230V | 460V |               | 208/<br>230V | 460V |  |               |                                 |  |                                     |                      |
| 1              | 2130130-VFD       | 20                    | 18  | 21/7                      | 50/17                     | 2.4         | 9.2/8.4      | 4.2  | 0.54          | 3.3/3.0      | 1.5  | 3.25 to 12                             | 3.7           | 32                              | .280 x (1)   | 0.75                                | 248                  |
| 2              | 2130150-VFD       |                       |   | 21/7                      | 50/17                     | 4.7         | 17.2/15.8    | 7.9  | 0.54          | 3.3/3.0      | 1.5  | 3.25 to 12                             | 4.3           | 32                              | .441 x (1)   | 1.84                                | 398                  |
| 3              | 2130160-VFD       |                       |   | 15/5                      | 50/17                     | 4.7         | 17.2/15.8    | 7.9  | 1.0           | 4.8/4.4      | 2.2  | 3.25 to 12                             | 4.9           | 40                              | .374 x (2)   | 2.62                                | 517                  |
| 3              | 2130160-VFD-230-1 |                       |   | 15/5                      | 50/17                     | 4.7         | 17.2/15.8    | -    | 1.0           | 4.8/4.4      | -    | 3.25 to 12                             | 4.9           | 40                              | .374 x (2)   | 2.62                                | 517                  |
| 3              | 2130165-VFD       |                       |   | 21/7                      | 50/17                     | 4.7         | 17.2/15.8    | 7.9  | 1.0           | 4.8/4.4      | 2.2  | 3.25 to 12                             | 4.9           | 40                              | .441 x (1)   | 1.84                                | 459                  |
| 5              | 2130170-VFD       |                       |   | 11/4                      | 50/17                     | 4.7         | 17.2/15.8    | 7.9  | 1.0           | 4.8/4.4      | 2.2  | 3.25 to 12                             | 5.5           | 72*                             | .441 x (2)   | 3.68                                | 599                  |
| 7.5            | 2130175-VFD       |                       |   | 7/3                       | 50/17                     | 4.7         | 17.2/15.8    | 7.9  | 1.0x(2)       | 9.6/8.8      | 4.4  | 5 to 12                                | 5.5           | **                              | .441 x (3)   | 5.52                                | 1142                 |
| 10             | 2130180-VFD       |                       |   | 11/4                      | 50/17                     | 4.7x(2)     | 34.4/31.6    | 15.8 | 1.0x(2)       | 9.6/8.8      | 4.4  | 3.25 to 12                             | 5.5           | **                              | .441 x (4)   | 7.36                                | 1528                 |
| 15             | 2130190-VFD       |                       |   | 7/3                       | 40/13                     | 4.7x(2)     | 34.4/31.6    | 15.8 | 1.0x(2)       | 9.6/8.8      | 4.4  | 3.25 to 12                             | 6.3           | **                              | .441 x (6)   | 11.04                               | 2274                 |
| 20             | 2130195-VFD       |                       |   | 6/2                       | 40/13                     | 4.7x(2)     | 34.4/31.6    | 15.8 | 1.0x(2)       | 9.6/8.8      | 4.4  | 3.25 to 12                             | 6.3           | **                              | .441 x (8)   | 14.72                               | 2428                 |

\* Applies to a beam flange width of 4" and over.

\*\* Contact factory with application.

Authorized Sales & Service  
**J. HERBERT CORPORATION**  
 Call 1-800-255-0588  
 407-846-0588 Fax: 846-1066  
 info@jherbertcorp.com  
 Visit us online:  
 www.jherbertcorp.com

## DIMENSIONS - MOTORIZED TROLLEY

### 1 TO 5 TON MOTORIZED TROLLEY HOISTS:

Figure A

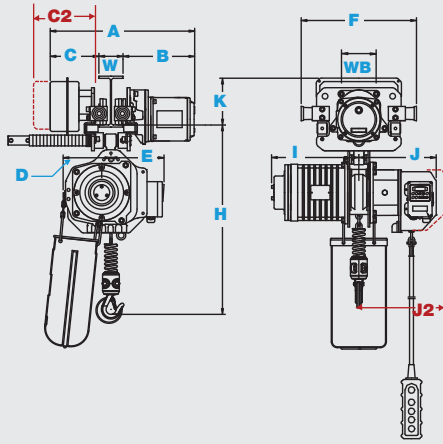
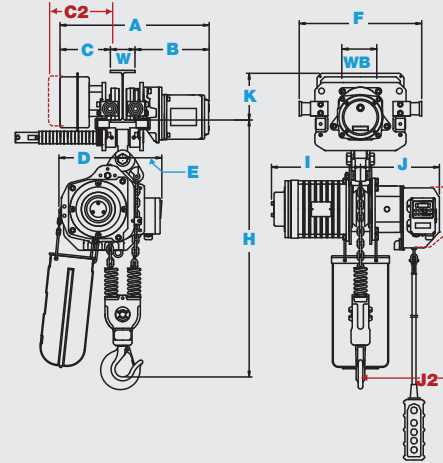


Figure B



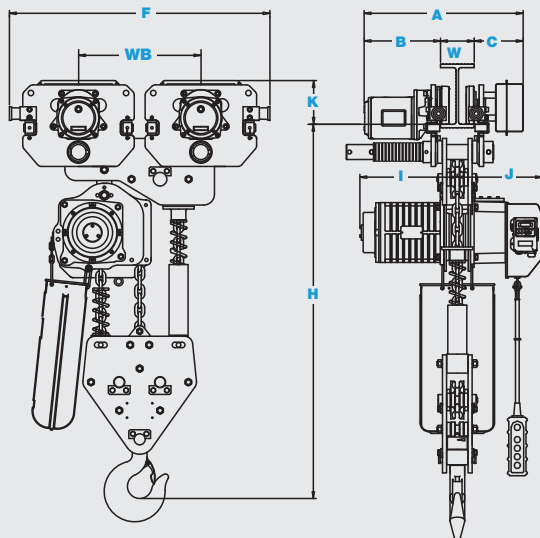
Dimensions in Inches (Nominal). *For hook dimensions, see page 18.*

| Model Number      | A<br><small>W = Beam width</small> | B    | C   | C2* | D    | E   | F    | H  | I    | J    | J2*  | K   | WB   | Figure |
|-------------------|------------------------------------|------|-----|-----|------|-----|------|----|------|------|------|-----|------|--------|
| 2130120           | 16.6 + W                           | 9.9  | 6.7 | -   | 6.7  | 7.5 | 16   | 21 | 12.1 | 10.8 | -    | 6.5 | 4.4  | A      |
| 2130130           | 16.6 + W                           | 9.9  | 6.7 | 8.7 | 6.7  | 7.5 | 16   | 21 | 12.1 | 10.8 | 12.8 | 6.5 | 4.4  | A      |
| 2130140           | 16.9 + W                           | 10.1 | 6.8 | -   | 8.9  | 5.3 | 16.7 | 29 | 12.1 | 10.8 | -    | 6.4 | 4.9  | B      |
| 2130150           | 16.9 + W                           | 10.1 | 6.8 | 8.8 | 7.7  | 9.1 | 16.7 | 28 | 14.1 | 12.3 | 13.5 | 6.4 | 4.9  | A      |
| 2130160           | 17.8 + W                           | 10.9 | 6.9 | 8.9 | 10.2 | 6.6 | 18   | 36 | 14.1 | 12.3 | 13.5 | 6.2 | 5.5  | B      |
| 2130160-VFD-230-1 | 19.8+W                             | 10.9 | 8.9 | 8.9 | 10.2 | 6.6 | 18   | 36 | 14.1 | 13.5 | 13.5 | 6.2 | 5.5  | B      |
| 2130165           | 17.8 + W                           | 10.9 | 6.9 | 8.9 | 7.7  | 9.1 | 18   | 29 | 14.1 | 12.3 | 13.5 | 6.2 | 5.5  | A      |
| 2130170           | 18.4 + W                           | 11.2 | 7.2 | 9.2 | 10.7 | 6.1 | 20   | 42 | 14.1 | 12.3 | 13.5 | 6.3 | 6.1  | B      |
| 2130175           | 18.2 + W                           | 11.1 | 7.1 | 9.1 | -    | -   | 37.8 | 50 | 14.1 | 12.3 | 13.5 | 6.3 | 17.7 | C      |
| 2130180           | 18.4 + W                           | 11.2 | 7.2 | 9.2 | -    | -   | 37.4 | 49 | 14.1 | 14.1 | 14.1 | 6.3 | 17.3 | D      |
| 2130190           | 20.3 + W                           | 12.7 | 7.6 | 9.6 | -    | -   | 47   | 59 | 14.8 | 14.8 | 16   | 7.3 | 22.0 | D      |
| 2130195           | 20.3 + W                           | 12.7 | 7.6 | 9.6 | -    | -   | 47   | 59 | 15.9 | 15.9 | 17.1 | 7.3 | 22.0 | D      |

\* Inverter Control Models only.

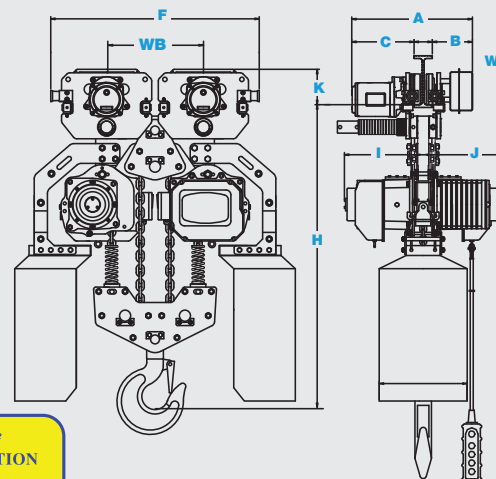
### 7-1/2 TON MOTORIZED TROLLEY HOIST:

Figure C



### 10 TON TO 20 TON MOTORIZED TROLLEY HOISTS:

Figure D



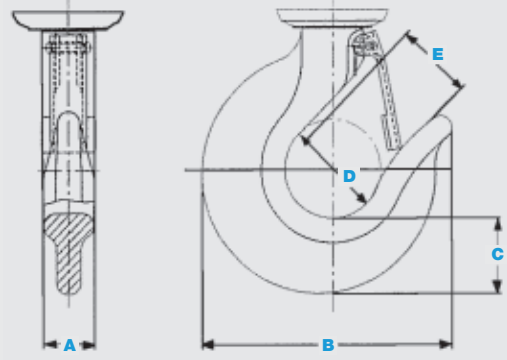
Authorized Sales & Service  
**J. HERBERT CORPORATION**  
 Call 1-800-255-0588  
 407-846-0588 Fax: 846-1066  
 info@jherbertcorp.com  
 Visit us online:  
 www.jherbertcorp.com

## ACCOLIFT® HOISTS - HOOK DIMENSIONS & CHAIN CONTAINER CAPACITIES

### ACCOLIFT® HOISTS - HOOK DIMENSIONS

Dimensions in Inches (Nominal)

| Capacity  | A    | B     | C    | D    | E    |
|-----------|------|-------|------|------|------|
| 1 Ton     | 0.95 | 3.82  | 1.24 | 1.38 | .93  |
| 2 Ton     | 1.18 | 5.73  | 1.69 | 2.11 | 1.54 |
| 3 Ton     | 1.38 | 6.63  | 1.93 | 2.36 | 1.77 |
| 5 Ton     | 1.71 | 7.48  | 2.17 | 2.76 | 2.21 |
| 7 1/2 Ton | 2.17 | 9.21  | 3.43 | 3.54 | 3.05 |
| 10 Ton    | 3.15 | 12.72 | 4.65 | 4.72 | 3.35 |
| 15 Ton    | 3.15 | 12.72 | 4.65 | 4.72 | 3.35 |
| 20 Ton    | 3.15 | 12.72 | 4.65 | 4.72 | 3.35 |



### ACCOLIFT® HOISTS - CHAIN CONTAINER CAPACITIES

| Model Number       | Hoist Capacity | Max. Lift With Standard Chain Bucket (ft.) | Max. Lift With Optional Chain Bucket (ft.) | Max. Lift With Optional Canvas Chain Bag (ft.) |
|--------------------|----------------|--|--|--|
| 2130020<br>2130120 | 1T (17 FPM)    | 49 (71574-1038)                            | 130 (71574-1039)                           | 40 (71574-1264)                                |
| 2130030<br>2130130 | 1T (27 FPM)    | 49 (71574-1038)                            | 130 (71574-1039)                           | 40 (71574-1264)                                |
| 2130040<br>2130140 | 2T (13 FPM)    | 24 (71574-1038)                            | 65 (71574-1039)                            | 20 (71574-1264)                                |
| 2130050<br>2130150 | 2T (27 FPM)    | 20 (71574-1038)                            | 59 (71574-1039)                            | 15 (71574-1264)                                |
| 2130060<br>2130160 | 3T (17 FPM)    | 39 (71574-1039)                            | 57 (71574-1293)<br>81 (71574-1253)         | N/A  |
| 2130065<br>2130165 | 3T (21 FPM)    | 20 (71574-1038)                            | 59 (71574-1039)                            | 15 (71574-1264)                                |
| 2130070<br>2130170 | 5T (11 FPM)    | 30 (71574-1039)                            | 46 (71574-1293)<br>65 (71574-1253)         | N/A  |
| 2130075<br>2130175 | 7.5T (7 FPM)   | 20 (71574-1039)                            | 49 (71574-7239)                            | N/A  |
| 2130080<br>2130180 | 10T (11 FPM)   | 49 (71574-6239)                            | 59 (71574-6239-2)                          | N/A  |

Steel buckets may be available for longer lifts than stated above - please call factory with your application.  
Buckets custom designed for 15T & 20T hoists as application requires.

Authorized Sales & Service  
**J. HERBERT CORPORATION**  
 Call 1-800-255-0588  
 407-846-0588 Fax: 846-1066  
 info@jherbertcorp.com  
 Visit us online:  
 www.jherbertcorp.com