

Authorized Sales & Service
J. HERBERT CORPORATION
 Call 1-800-255-0588
 407-846-0588 Fax: 846-1066
 info@jherbertcorp.com
 Visit us online:
 www.jherbertcorp.com

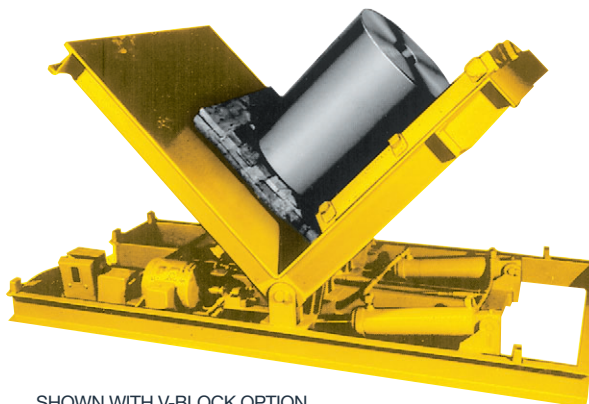
LPU LOW PLATFORM COIL UPENDER

PRODUCT FEATURES:

- Lower platform design offers easier access by operator.
- Fast and convenient way to upend coils to 90°.
- Requires less platform height.
- Magnetic starter with 115 volt pendant control.
- Double acting hydraulic cylinders.
- Relief valve prevents over-capacity rotation.
- Stop limit switches at each end of rotation.

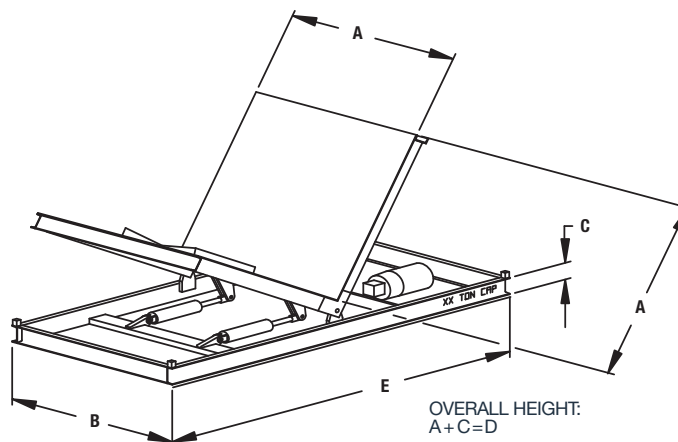
PRODUCT OPTIONS:

- Larger platforms available.
- Unequal platform sizes available.
- V-Block, either standard or urethane faced.
- 180° horizontal rotation, which permits loading and unloading from same side.



SHOWN WITH V-BLOCK OPTION

NOTE: If load is not a coil, specify center of gravity of load being rotated.



OVERALL HEIGHT:
 A + C = D

SPECIFICATIONS

| Model Number | Capacity (tons) | Dimensions (inches) | | | | | Weight (lbs.) |
|--------------|-----------------|---------------------|----|--------|--------|-----|---------------|
| | | A | B | C | D | E | |
| LPU100036 | 1/2 | 36 | 36 | 8-1/4 | 44-1/4 | 78 | 1500 |
| LPU136 | 1 | 36 | 36 | 9-1/4 | 45-1/4 | 78 | 1600 |
| LPU1536 | 1-1/2 | 36 | 36 | 10-1/4 | 46-1/4 | 78 | 1800 |
| LPU236 | 2 | 36 | 36 | 12-1/4 | 48-1/4 | 78 | 2000 |
| LPU2542 | 2-1/2 | 42 | 42 | 13-1/4 | 55-1/4 | 90 | 2200 |
| LPU342 | 3 | 42 | 42 | 14-1/4 | 56-1/4 | 90 | 2300 |
| LPU3542 | 3-1/2 | 42 | 42 | 15-1/4 | 57-1/4 | 90 | 2400 |
| LPU442 | 4 | 42 | 42 | 17-3/8 | 59-3/8 | 90 | 2600 |
| LPU4548 | 4-1/2 | 48 | 48 | 18-3/8 | 66-3/8 | 102 | 2800 |
| LPU548 | 5 | 48 | 48 | 19-3/8 | 67-3/8 | 102 | 3000 |
| LPU648 | 6 | 48 | 48 | 20-3/8 | 68-3/8 | 102 | 3600 |
| LPU7548 | 7-1/2 | 48 | 48 | 20-3/8 | 68-3/8 | 102 | 5000 |

Pallets must not extend over platform sides. Other sizes available, consult factory.