

Authorized Sales & Service

**J. HERBERT CORPORATION**

Call 1-800-255-0588

407-846-0588 Fax: 846-1066

info@jherbertcorp.com

Visit us online:

www.jherbertcorp.com

# INDUSTRIAL-DUTY CABLE REELS



## INDUSTRIAL-DUTY CABLE REELS ARE DESIGNED FOR THE MOST DEMANDING OF INDOOR/OUTDOOR INDUSTRIAL APPLICATIONS

Industrial-duty cable reels such as Pow-R-Mite® and Pow-R-Matic® are spring-powered reels made of precision electrical and mechanical components to accommodate up to 48.8m (160') of 16/3 AWG cable or up to 15.3m (50') of 6/3 AWG cable. Cable reels have NEMA-3 and NEMA-4 ratings for indoor and outdoor use to protect against water and corrosion for weather and dust resistance. Precision collector rings can be specified for up to 36 conductors.

### FEATURES AND BENEFITS

Containerized mainspring	Provides easy and safe replacement of mainspring
NEMA-3 and NEMA-4 enclosure	Provides personal protection against incidental contact; designed for indoor and outdoor use
Anti-lock-out ratchet system	Ensures user will never be locked out of a full cable extension
Modular collector rings	Enables easy replacement of collector rings

### APPLICATIONS

- Fire trucks
- Food and beverage
- Lifting magnets for cranes
- Movable equipment
- Overhead cranes
- Service vehicle
- Standard cranes
- Wastewater treatment

# Cable Reels Industrial Duty Up to 50' Retraction Weight 4 lb

B  
Reels



### Features and Benefits

- NEMA 4 rating provides protection to water or dust, indoor and out
- Cable guide is adjustable every 5° over a 270° arc allowing for the exact configuration to suit the application
- Design prohibits annoying “lock-out” when cable is fully extended
- Containerized main spring allow for safe, simple handling and replacement
- Reels are constructed with spring tension to lift or stretch cable with no more than 10% sag

### Reference Information

UL File No.: E22769  
CSA File No.: LR29921



### Electrical

Cord/Cable: SOW, 600V rated  
Collector Ring Rating: 30A

### Physical

Primary Cord Entry: 1" NPT  
Construction: Cast Aluminum with yellow powder coat finish  
Working End: Flying leads; ball stop not included  
Ratchet Lock: Easily disengaged as needed  
Tension: Easily adjusted  
Junction Box: Large, easy-access  
Spring: Containerized, easily replaceable

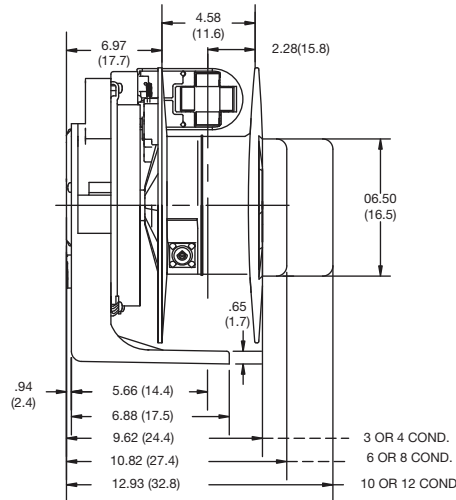
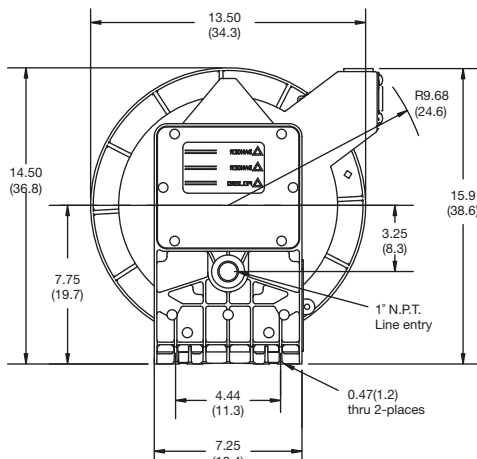
### Environmental

NEMA Rating: NEMA 4

Wire Gauge	Reel without Cable		Conductors	Current	Cable Length	Woodhead No.	Order No.
	Reference No.	Cable Range					
16	095105203	up to 50'	3	9A	9.14m (30.0')	9224	130083-0224
	095105203	up to 50'	3	9A	15.24m (50.0')	9228	130083-0225
	095105204	up to 50'	4	7A	9.14m (30.0')	9234	130083-0227
	095105204	up to 50'	4	7A	15.24m (50.0')	9238	130083-0228
	095105206	up to 50'	6	7A	13.72m (45.0')	9206	130083-0222
	095105208	up to 38'	8	6A	11.58m (38.0')	9208	130083-0223
	095106208	38-50'	8	6A	15.24m (50.0')	92481	130083-0239
	095106210	up to 40'	10	5A	9.14m (30.0')	92401	130083-0229
14	095106212	up to 40'	12	5A	9.14m (30.0')	92411	130083-0231
	095105203	up to 25'	3	13A	7.62m (25.0')	9253	130083-0242
	095104203	25-50'	3	13A	15.24m (50.0')	9358	130083-0249
	095104204	up to 50'	4	11A	7.62m (25.0')	9363	130083-0262
	095104204	up to 50'	4	11A	13.72m (45.0')	9367	130083-0263
	095104206	up to 40'	6	11A	10.67m (35.0')	9306	130083-0247
	095104208	up to 20'	8	8A	6.10m (20.0')	9308	130083-0248
	095106208	20-30'	8	8A	9.14m (30.0')	92482	130083-0240
12	095106210	up to 20'	10	7A	6.10m (20.0')	92402	130083-0230
	095104203	up to 35'	3	18A	7.62m (25.0')	9383	130083-0264
	095104203	up to 35'	3	18A	10.67m (35.0')	9385	130083-0279
	095106203	35-50'	3	18A	15.24m (50.0')	92433	130083-0232
	095104204	up to 30'	4	14A	9.14m (30.0')	9394	130083-0284
	095106204	30-40'	4	14A	12.19m (40.0')	92443	130083-0234
	095106206	up to 30'	6	14A	9.14m (30.0')	92463	130083-0237
	095106208	up to 20'	8	12A			
10	095105203	up to 30'	3	22A	6.10m (20.0')	9242	130084-0318
	095106203	30-40'	3	22A	12.19m (40.0')	92434	130083-0233
	095106204	up to 30'	4	16A	9.14m (30.0')	92444	130083-0236
	095106206	up to 20'	6	14A	6.10m (20.0')	92464	130083-0238

Note: Use pivot base 9501

### Reel Dimensions



## Cable Reels Industrial Duty With Fluorescent Lights 13W



### Features and Benefits

- NEMA 4 (reel only) rating provides protection to water or dust, indoor and out
- Cable guide is adjustable every 5° over a 270° arc allowing for the exact configuration to suit the application
- Design prohibits annoying “lock-out” when cable is fully extended
- Containerized main spring allow for safe, simple handling and replacement
- Rubber handle and butyrate guard mean a durable light and non-conductive guard
- Switch in handle and bulb included for ultimate convenience

### Reference Information

UL File No.: E22769



### Electrical

Cord/Cable: SOW, 600V rated  
Collector Ring Rating: 30A

### Physical


Primary Cord Entry: 1" NPT  
Construction: Cast Aluminum with yellow powder coat finish  
Working End: Has handlamp with ball stop included  
Ratchet Lock: Easily disengaged as needed  
Tension: Easily adjusted  
Junction Box: Large, easy-access  
Spring: Containerized, easily replaceable

### Environmental

NEMA Rating: NEMA 4 (reel only)

B

Reels

Cord Reel	Base Reel		Cord Type	Cord Length	Cord Reel with Light	
	Woodhead No.	Order No.			Woodhead No.	Order No.
	9224	130083-0224	16/3 SOW	9.14m (30.0')	9224-86	130083-0767
	9228	130083-0225	16/3 SOW	15.24m (50.0')	9228-86	130083-0775

## Cable Reels Industrial Duty With Incandescent Lights 100W Incandescent, 30W Low Volt Spot Light



106US

1610S

### Features and Benefits

- NEMA 4 (except handlamp) rating provides protection to water or dust, indoor and out
- Cable guide is adjustable every 5° over a 270° arc allowing for the exact configuration to suit the application
- Design prohibits annoying “lock-out” when cable is fully extended
- Containerized main spring allow for safe, simple handling and replacement
- Handlamps have switch and convenience outlet on handle
- Spot light has switch and is wet location rated and low volt (12V) for added safety

### Reference Information

UL File No.: E22769 (only 9228-106US)



### Electrical


Cord/Cable: SOW, 600V rated  
Collector Ring Rating: 30A

### Physical

Primary Cord Entry: 1" NPT  
Construction: Cast aluminum with yellow powder coat finish  
Working End: Includes a ball stop and light, bulb not included (except for low voltage spot lights, which include a bulb)  
Switch: Included on handle  
Low Voltage Spot Light Version: Includes 125V to 12V transformer on primary side  
Ratchet Lock: Easily disengaged as needed  
Tension: Easily adjusted  
Junction Box: Large, easy-access  
Spring: Containerized, easily replaceable

### Environmental

NEMA Rating: NEMA 4 (except handlamp)

Cord Reel	Base Reel		Cord Type	Cord Length	Light Fixture	Lamp Wattage	Convenience Outlet on Handle	Cord Reel with Light	
	Woodhead No.	Order No.						Woodhead No.	Order No.
	9224	130083-0224	16/3 SOW	9.14m (30.0')	1610S	30W		9224-1610S	130083-0766
	9228	130083-0225	16/3 SOW	15.24m (50.0')	106US	100W	NEMA 5-15	9228-106US	130083-0772
			16/3 SOW	15.24m (50.0')	1610S	30W		9228-1610S	130083-0773
	9253	130083-0242	14/3 SOW	7.62m (25.0')	1610S	30W		9253-1610S	130083-0245
	9358	130083-0249	14/3 SOW	15.24m (50.0')	106US	100W	NEMA 5-15	9358-106US	130083-0250
14/3 SOW			15.24m (50.0')	1610S	30W		9358-1610S	130083-0852	

Authorized Sales & Service

J. HERBERT CORPORATION

Call 1-800-255-0588  
407-846-0588 Fax: 846-1066  
info@jherbertcorp.com

Visit us online:  
www.jherbertcorp.com

molex

B-11

# Cable Reels Industrial Duty With Power Accessories Connector, Duplex Outlet, GFCI Duplex



3000-1



3070-GFI



1547

### Features and Benefits

- NEMA 4 (reel only) rating provides protection to water or dust, indoor and out
- Cable guide is adjustable every 5° over a 270° arc allowing for the exact configuration to suit the application
- Design prohibits annoying “lock-out” when cable is fully extended
- Containerized main spring allow for safe, simple handling and replacement
- Options from one to four outlets provide flexibility for many applications
- GFCI version provides added protection of personnel from electrical hazards associated with ground faults

### Reference Information

UL File No.: E22769 (except reels with 3070-GFI)  
CSA File No.: LR29921 (except 9253-3000 and reels with 3070-GFI)



### Electrical


Cord/Cable: SOW, 600V rated  
Collector Ring Rating: 30A

### Physical

Primary Cord Entry: 1" NPT  
Construction: Cast Aluminum with yellow powder coat finish  
Working End: Includes a ball stop and connector or outlet box  
Ratchet Lock: Easily disengaged as needed  
Tension: Easily adjusted  
Junction Box: Large, easy-access; easily replaceable spring

### Environmental

NEMA Rating: NEMA 4 (reel only)

Cord Reel	Base Reel		Cord Type	Cord Length	Power Accessory	Outlet Type	Number of Outlets	GFCI Protected	Cord Reel with Accessory	
	Woodhead No.	Order No.							Woodhead No.	Order No.
	9253	130083-0242	14/3 SOW	7.62m (25.0')	3000-1	NEMA 5-15	4		9253-3000	130083-0246
	9358	130083-0249	14/3 SOW	15.24m (50.0')	1547	NEMA 5-15	1		9358-1547	130083-0252
			14/3 SOW	15.24m (50.0')	3070-GFI	NEMA 5-15	2	Yes	9358-3070G	130083-0254
			12/3 SOW	7.62m (25.0')	1547	NEMA 5-15	1		9383-1547	130083-0266
	9383	130083-0264	12/3 SOW	7.62m (25.0')	3000-1	NEMA 5-15	4		9383-3000	130083-0269
			12/3 SOW	7.62m (25.0')	3070-GFI	NEMA 5-15	2	Yes	9383-3070G	130083-0270
			12/3 SOW	7.62m (25.0')	1533	NEMA 5-20	1		9383-1533	130083-0265
			12/3 SOW	7.62m (25.0')	3080-10	NEMA 5-20	4		9383-3080	130083-0271
	9385	130083-0279	12/3 SOW	10.67m (35.0')	3080-10	NEMA 5-20	4		9385-3080	130083-0280
			12/3 SOW	15.24m (50.0')	1547	NEMA 5-15	1		92433-1547	130083-0782
	92433	130083-0232	12/3 SOW	15.24m (50.0')	3000-1	NEMA 5-15	4		92433-3000	130083-0784
			12/3 SOW	15.24m (50.0')	3070-GFI	NEMA 5-15	2	Yes	92433-3070G	130083-0786
			12/3 SOW	15.24m (50.0')	1533	NEMA 5-20	1		92433-1533	130083-0781
			12/3 SOW	15.24m (50.0')	3080-10	NEMA 5-20	4		92433-3080	130083-0787
	92434	130083-0233	10/3 SOW	12.19m (40.0')	3080-10	NEMA 5-20	4		92434-3080	130083-0913

Authorized Sales & Service  
**J. HERBERT CORPORATION**  
Call 1-800-255-0588  
407-846-0588 Fax: 846-1066  
info@jherbertcorp.com

Visit us online:  
www.jherbertcorp.com

# Cable Reels

## Heavy Duty

### 20 to 70'

### Retraction Weight 4 lb



#### Features and Benefits

- Containerized main spring allow for safe, simple handling and replacement
- Reels are constructed with spring tension to lift or stretch cable with no more than 10% sag

#### Electrical

Cord/Cable: SOW and Type W, 600V rated  
 Collector Ring Rating: 30A for AWG sizes 10-16  
 Collector Ring Rating: 75A for AWG sizes 6 and 8

#### Reference Information

CSA File No.: LR29921



#### Physical

Construction: Steel with yellow powder coat finish  
 Ball Bearings: Bronze  
 Working End: Flying leads; ball stop not included  
 Ratchet Lock: Easily disengaged as needed  
 Tension: Easily adjusted  
 Junction Box: Large, easy-access  
 Spring: Containerized, easily replaceable  
 Cable Type: SOW for 10-16 AWG  
 Type W for 6 and 8 AWG

#### Environmental

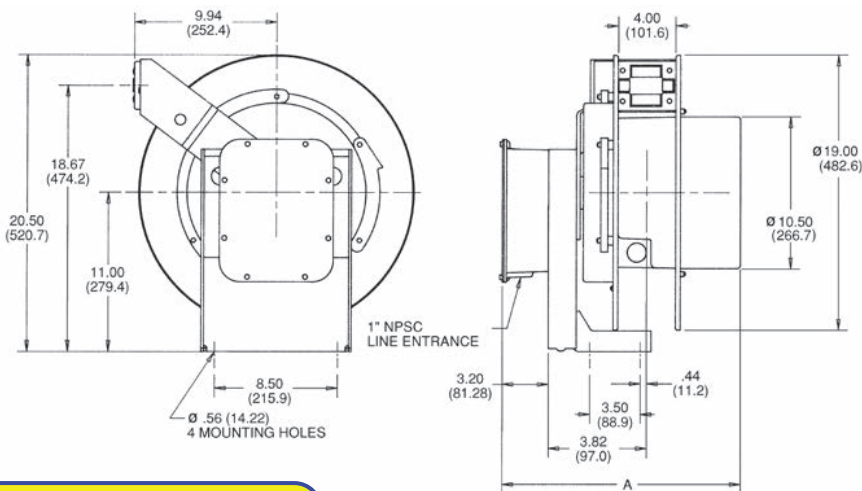
NEMA Rating: NEMA 3



Wire Gauge	Reels without Cable		Conductors	Current	Cable Length	Woodhead No.	Order No.
	Reference No.	Cable Range					
16	10511303G0L000	up to 70'	3	10A	21.34m (70.0')	92531N	130084-0129
	10511304G0L000	up to 70'	4	8A	21.34m (70.0')	92541N	130084-0138
	10511306G0L000	up to 70'	6	8A	21.34m (70.0')	92561N	130084-0146
	10511308G0L000	up to 70'	8	7A	21.34m (70.0')	92581N	130084-0150
	10511310G0L000	up to 50'	10	5A	15.24m (50.0')	92501AN	130084-0119
	10511312G0L000	up to 50'	12	5A	15.24m (50.0')	92511AN	130084-0121
14	10511303G0L000	up to 70'	3	15A	21.34m (70.0')	92532N	130084-0131
	10511304G0L000	up to 70'	4	12A	21.34m (70.0')	92542N	130084-0139
	10511306G0L000	up to 50'	6	12A	15.24m (50.0')	92562AN	130084-0147
	10512306G0L000	50-70'	6	12A	21.34m (70.0')	92562BN	130084-0148
	10512308G0L000	up to 60'	8	10A	18.29m (60.0')	92582N	130084-0151
	10512310G0L000	up to 50'	10	7A	15.24m (50.0')	92502N	130084-0120
	10511312G0L000	up to 30'	12	7A	6.10m (20.0')	92512AN	130084-0123
	10512312G0L000	30-40'	12	7A	12.19m (40.0')	92512BN	130084-0124
12	10511303G0L000	up to 70'	3	20A	21.34m (70.0')	92533N	130084-0132
	10511304G0L000	up to 60'	4	16A	18.29m (60.0')	92543N	130084-0140
	10512306G0L000	up to 60'	6	14A	18.29m (60.0')	92663	130084-0155
	10512308G0L000	up to 50'	8	14A	15.24m (50.0')	92583N	130084-0152
10	10512303G0L000	up to 70'	3	25A	21.34m (70.0')	92534N	130084-0133
	10512304G0L000	up to 70'	4	20A	15.24m (50.0')	92544AN	130084-0141
	10512304G0L000	up to 70'	4	20A	21.34m (70.0')	92544BN	130084-0142
	10513306G0L000	up to 50'	6	20A	15.24m (50.0')	92564N	130084-0149
8	10511403G0L000	up to 30'	3	35A	9.14m (30.0')	92535AN	130084-0134
	10512403G0L000	30-50'	3	35A	15.24m (50.0')	92535BN	130084-0135
	10511404G0L000	up to 20'	4	28A	6.10m (20.0')	92545AN	130084-0143
	10513404G0L000	30-40'	4	28A	12.19m (40.0')	92545BN	130084-0144
6	1051340200L000	40-50'	2	45A	15.24m (50.0')	92526BN	130084-0128
	10513403G0L000	up to 30'	3	45A	9.14m (30.0')	92536N	130084-0136
	10513404G0L000	up to 30'	4	36A	6.10m (20.0')	92546N	130084-0145

Note: Use pivot base 9503

### Heavy Duty Cable Reel Dimensions, 20 to 70'



### 1000 Series Reel

Woodhead Series No. Without Cable	Dimension A	Weight (without Cable)
1051-x-303	423mm (16.67")	81 lb
1051-x-304	423mm (16.67")	81 lb
1051-x-306	423mm (16.67")	82 lb
1051-x-308	479mm (18.84")	82 lb
1051-x-310	479mm (18.84")	83 lb
1051-x-312	479mm (18.84")	83 lb
1051-x-402	423mm (16.67")	81 lb
1051-x-403	423mm (16.67")	81 lb
1051-x-404	479mm (18.84")	82 lb

Authorized Sales & Service  
**J. HERBERT CORPORATION**  
 Call 1-800-255-0588  
 407-846-0588 Fax: 846-1066  
 info@jherbertcorp.com

Visit us online:  
[www.jherbertcorp.com](http://www.jherbertcorp.com)

# Cable Reels Heavy Duty 40 to 160' Retraction Weight 7 lb

Reels



### Features and Benefits

- Containerized main spring allow for safe, simple handling and replacement
- Reels are constructed with spring tension to lift or stretch cable with no more than 10% sag

### Reference Information

CSA File No.: LR29921



### Electrical

Cord/Cable: SOW and Type W, 600V rated  
Collector Ring Rating: 30A for AWG sizes 10-16  
Collector Ring Rating: 75A for AWG sizes 6 and 8

### Physical

Construction: Steel with yellow powder coat finish  
Ball Bearings: Bronze  
Working End: Flying leads; ball stop not included  
Ratchet Lock: Easily disengaged as needed  
Tension: Easily adjusted  
Junction Box: Large, easy-access  
Spring: Containerized, easily replaceable  
Cable Type: SOW for 10-16 AWG,  
Type W for 6 and 8 AWG

### Environmental

NEMA Rating: NEMA 3R

Wire Gauge	Reels without Cable		Conductors	Current	Cable Length	Woodhead No.	Order No.
	Reference No.	Cable Range					
16	114310303G0L	up to 115'	3	9A	35.05m (115.0')	92631*	130085-0359
	114310306G1L	up to 100'	6	7A	30.48m (100.0')	92661*	130085-0365
	114310308G1L	up to 95'	8	6A	28.96m (95.0')	92681*	130085-0366
14	114310303G1L	up to 110'	3	13A	33.53m (110.0')	92632*	130085-0360
	114310304G1L	up to 110'	4	11A	33.53m (110.0')	92642*	130085-0363
	116505304G1L	110-160'	4	11A	48.77m (160.0')	92742†	130085-0373
	116505306G2L	up to 115'	6	11A	35.05m (115.0')	92762†	130085-0379
	116505308G2L	up to 90'	8	8A	27.43m (90.0')	92782†	130085-0381
	116505310G3L	up to 60'	10	7A	18.29m (60.0')	92702†	130085-0367
	116505312G3L	up to 60'	12	6A	18.29m (60.0')	92712†	130085-0368
12	114310303G1L	up to 95'	3	18A	28.96m (95.0')	92633*	130085-0361
	116505303G1L	95-160'	3	18A	48.77m (160.0')	92733†	130085-0370
	114310304G2L	up to 80'	4	14A	24.38m (80.0')	92643*	130085-0364
	116505304G2L	80-140'	4	14A	42.67m (140.0')	92743†	130085-0374
	116505308G3L	up to 60'	8	12A	18.29m (60.0')	92783†	130085-0382
10	116505304G2L	up to 120'	4	16A	36.58m (120.0')	92744†	130085-0375
	116505306G3L	up to 85'	6	14A	25.91m (85.0')	92764†	130085-0025
8	116505403G4L	up to 85'	3	35A	25.91m (85.0')	92735†	130085-0905
	116505404G5L	up to 60'	4	32A	18.29m (60.0')	92745†	130085-0376
6	116505402J4L	up to 65'	2	55A	19.81m (65.0')	92726†	130085-0949
	116505403G5L	up to 50'	3	45A	15.24m (50.0')	92736†	130085-0372
	116505404G6L	up to 40'	4	44A	12.19m (40.0')	92746†	130085-0377

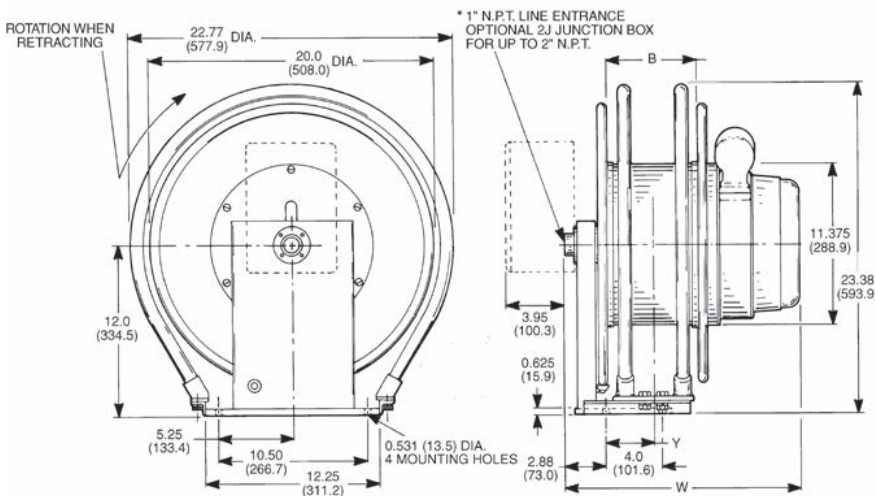
\* Use pivot base 9504

† Use pivot base 9505

### Pivot Base

Reel Series	Woodhead No.	Order No.
9200/9300/92400	9501	130226-1600
92500	9503	130226-1601
92600	9504	120226-1602
92700	9505	130086-0177

### Heavy Duty Cable Reel Dimensions, 40 to 160'



### 1100 Series Reel

Woodhead Series No. Without Cable	Dimension W	Weight (without Cable)
1143-xx-303	416.1mm (16.38")	138 lb
1143-xx-304	416.1mm (16.38")	138 lb
1143-xx-306	466.9mm (18.38")	139 lb
1143-xx-308	466.9mm (18.38")	140 lb
1143-xx-402	466.9mm (18.38")	139 lb
1165-xx-303	527.1mm (20.75")	188 lb
1165-xx-304	527.1mm (20.75")	188 lb
1165-xx-306	577.9mm (22.75")	189 lb
1165-xx-308	577.9mm (22.75")	190 lb
1165-xx-310	628.9mm (24.75")	191 lb
1165-xx-312	628.9mm (24.75")	192 lb
1165-xx-402	577.9mm (22.75")	189 lb
1165-xx-403	577.9mm (22.75")	189 lb
1165-xx-404	577.9mm (22.75")	190 lb