

# TCK Air Powered Hoists with Pendant and Cord Controls and Hook Suspension

*Authorized Sales & Service*  
**J. HERBERT CORPORATION**  
 Call 1-800-255-0588  
 407-846-0588 Fax: 846-1066  
 info@jherbertcorp.com  
 Visit us online:  
 www.jherbertcorp.com

Harrington's TCK air powered air hoists are the best choice for low headroom and fast lifting requirements in demanding industrial settings. These hoists are extremely durable, are packed with top quality features and will far exceed workplace demands.

## Features and Benefits

## Standard Hoist Specifications

<p style="text-align: center;"><b>Unlimited Duty Cycle</b> For continuous operation</p> <p style="text-align: center;"><b>Spring-Loaded Multi-Vane Motor Design</b> Permits very fine feathering control</p> <p style="text-align: center;"><b>Cast Iron Housing</b> For strength and durability</p> <p style="text-align: center;"><b>Powder Coated Finish</b> Proven weather resistant in harsh environments</p> <p style="text-align: center;"><b>Internal Disc Brake</b> Protected from harsh environments</p> <p style="text-align: center;"><b>Extremely Fast Lifting</b> For applications where speed is critical</p> <p style="text-align: center;"><b>Low Noise Levels</b> Adds to operator comfort</p> <p style="text-align: center;"><b>Overload Limiter</b> Adjustable load limiter detects overload automatically and blocks air flow for lifting</p> <p style="text-align: center;"><b>Nickel-Plated Load Chain</b> Resistant to corrosion, abrasion and wear</p>	<p style="text-align: center;"><b>Capacity Range</b> 3 – 6 Ton</p> <p style="text-align: center;"><b>Standard Lift</b> 10' (longer lifts available)</p> <p style="text-align: center;"><b>Standard Pendant or Cord Length</b> Hangs approximately 4 ft. above the hoist's fully extended bottom hook (longer lengths available)</p> <p style="text-align: center;"><b>Air Supply Requirement</b> 60 – 90 psi</p> <p style="text-align: center;"><b>Air Filtration</b> Maximum 5 micron air filter or finer required</p> <p style="text-align: center;"><b>Air Inlet Port</b> 1" NPT</p> <p style="text-align: center;"><b>Air Supply Hose Minimum Size</b> 3/4"</p> <p style="text-align: center;"><b>Air Lubrication Requirement</b> Minimum 10 – 15 drops of oil per minute (0.2 – 0.3 cc/min.)</p> <p style="text-align: center;"><b>Temperature Range</b> +14° – 140°F</p> <p style="text-align: center;"><b>Chain Containers</b> Optional Canvas or Steel</p>
-----------------------------------------------------------------------------------------------------------------------------------------------------------------------------------------------------------------------------------------------------------------------------------------------------------------------------------------------------------------------------------------------------------------------------------------------------------------------------------------------------------------------------------------------------------------------------------------------------------------------------------------------------------------------------------------------------------------------------------------------------------------------------------------------------------------------------------------------------------------------------------------------------------------------------------------------------------------------------------------------------------------------------	--------------------------------------------------------------------------------------------------------------------------------------------------------------------------------------------------------------------------------------------------------------------------------------------------------------------------------------------------------------------------------------------------------------------------------------------------------------------------------------------------------------------------------------------------------------------------------------------------------------------------------------------------------------------------------------------------------------------------------------------------------------------------------------------------------------------------------------------------------------------------------------------------------------------------------------------------------------------------------------------------------------------------------

Authorized Sales & Service  
**J. HERBERT CORPORATION**  
Call 1-800-255-0588  
407-846-0588 Fax: 846-1066  
info@jherbertcorp.com

Visit us online:  
[www.jherbertcorp.com](http://www.jherbertcorp.com)

## **TCK Air Powered Hoists with Pendant and Cord Controls and Hook Suspension**



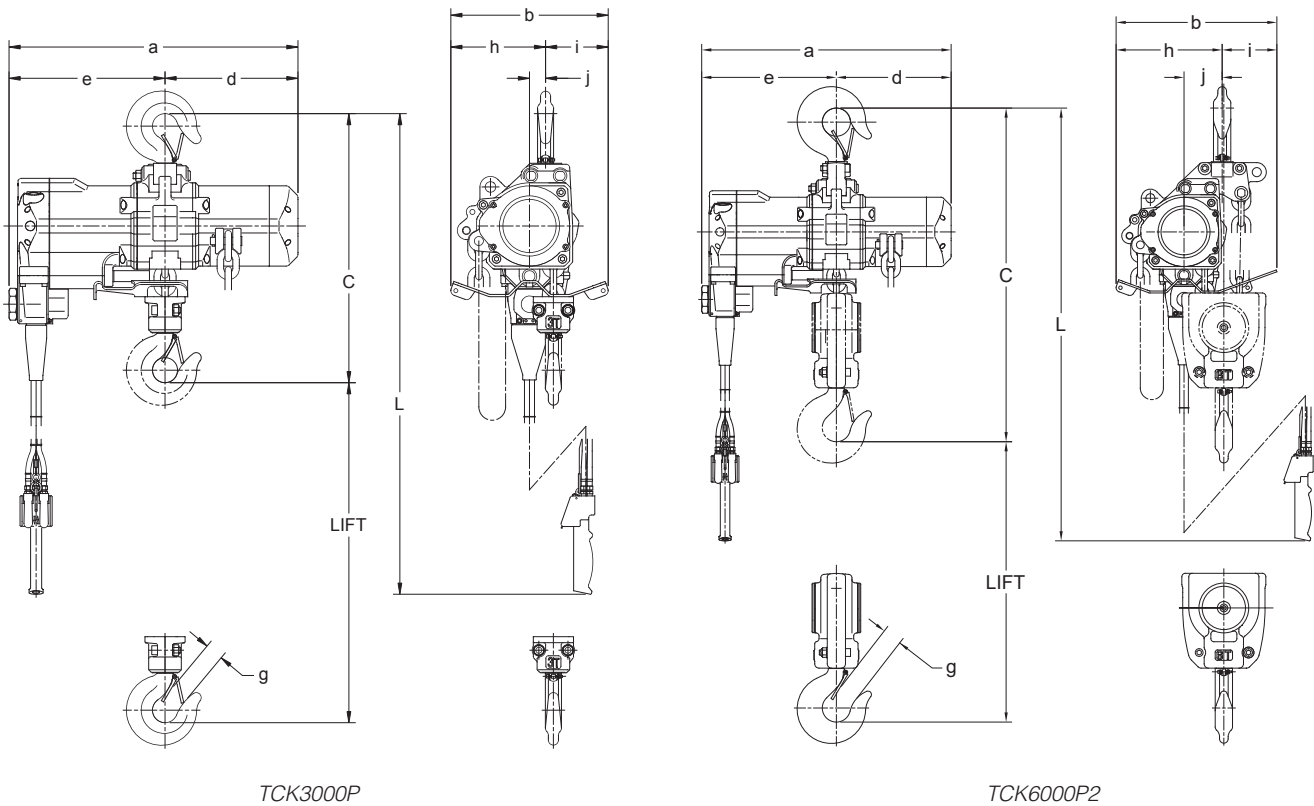
TCK3000P

**PENDANT MODEL—SPECIFICATIONS**

Cap. (Tons)	Product Code	Standard Lift (ft)	Push Button Hose L (ft)	Up/Down Speeds (ft/min @ 90 psi)		Up/Down Air Consumption Rates (cubic ft/min @ 90 psi)		Load Chain Diameter (mm) x Chain Fall Lines	Net Weight (lbs)	Weight for Additional One Foot of Lift (lbs)
				No Load	w/Full Load	No Load	w/Full Load			
3	TCK3000P	10	8.6	37 / 23	18 / 38	148 / 141	124 / 152	12.5 x 1	225	2.3
6	TCK6000P2	10	8.6	18 / 12	9 / 19	148 / 141	124 / 152	12.5 x 2	295	4.6

**PENDANT MODEL—DIMENSIONS**

Cap. (Tons)	Product Code	Headroom C (in)	a (in)	b (in)	d (in)	e (in)	g (in)	h (in)	i (in)	j (in)
3	TCK3000P	21.1	22.7	12.3	10.4	12.2	1.3	7.4	4.9	1.3
6	TCK6000P2	30.3	22.7	14.6	10.4	12.2	1.7	9.6	5.0	3.5



TCK3000P

TCK6000P2

Authorized Sales & Service  
**J. HERBERT CORPORATION**  
 Call 1-800-255-0588  
 407-846-0588 Fax: 846-1066  
 info@jherbertcorp.com  
 Visit us online:  
 www.jherbertcorp.com

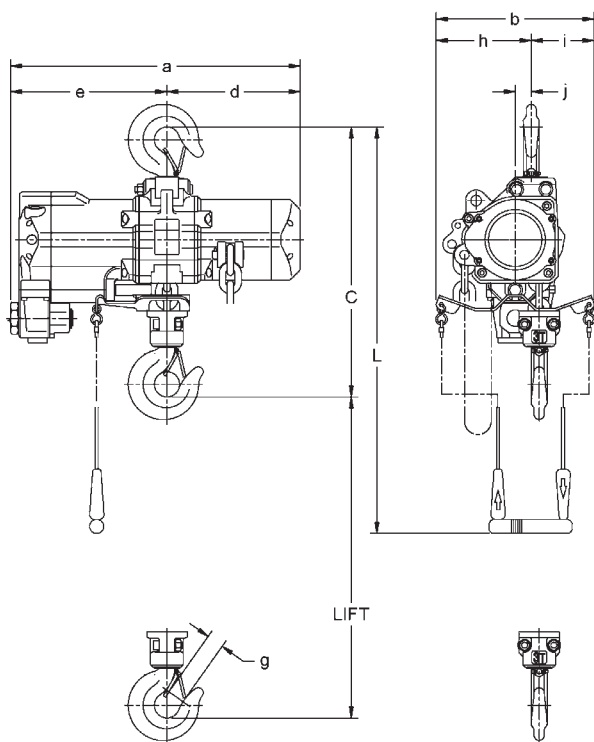
# TCK Air Powered Hoists with Pendant and Cord Controls and Hook Suspension

## CORD MODEL—SPECIFICATIONS

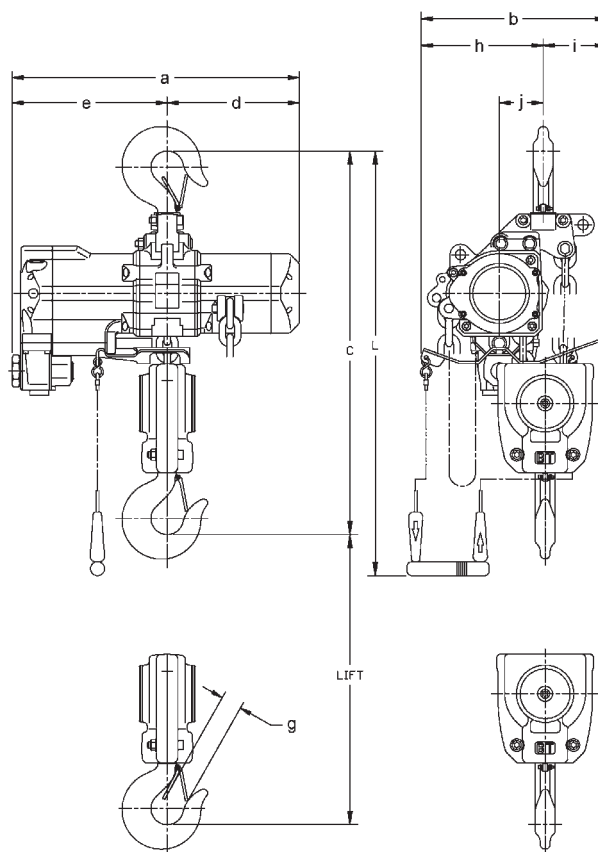
Cap. (Tons)	Product Code	Standard Lift (ft)	Cord L (ft)	Up/Down Speeds (ft/min @ 90 psi)		Up/Down Air Consumption Rates (cubic ft/min @ 90 psi)		Load Chain Diameter (mm) x Chain Fall Lines	Net Weight (lbs)	Weight for Additional One Foot of Lift (lbs)
				No Load	Full Load	No Load	Full Load			
3	TCK3000C	10	7.3	37 / 23	18 / 38	148 / 141	124 / 152	12.5 x 1	223	2.3
6	TCK6000C2	10	7.3	18 / 12	9 / 19	148 / 141	124 / 152	12.5 x 2	293	4.6

## CORD MODEL—DIMENSIONS

Cap. (Tons)	Product Code	Headroom C (in)	a (in)	b (in)	d (in)	e (in)	g (in)	h (in)	i (in)	j (in)
3	TCK3000C	21.1	22.7	12.3	10.4	12.2	1.3	7.4	4.9	1.3
6	TCK6000C2	30.3	22.7	14.6	10.4	12.2	1.7	9.6	5.0	3.5



TCK3000C



TCK6000C2