

- **Medium duty**
- **Powered or manual end gripping grabs for all applications**
- **Designed for safety and ease of use**
- **Available in any required load capacity**

G1595 End Gripping Grabs

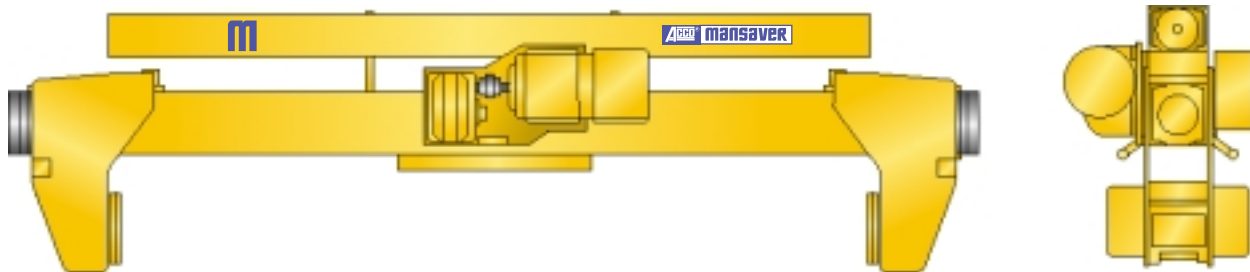
G1595 END GRIPPING PAPER ROLL GRABS

Mansaver[®] offers G1595 end gripping grabs in both standard configurations or special designs to meet the specific requirements of your lifting applications.

This style grab is used most often to handle paper rolls, but is readily adaptable to handle other loads.

This style of grab provides two distinct advantages. One, the required headroom is minimal when compared to the space required to operate tong style end gripping grabs. Two, this type of grab can handle a wide range of roll widths.

All ACCO lifters conform to ASME B30.20 standards for below-the-hook lifters. Standard paint is ACCO safety yellow machine enamel.



- **Paper roll grab with twin sheave pocket beam suspension**
- **For direct reaving into hoist system**

Authorized Sales & Service

J. HERBERT CORPORATION

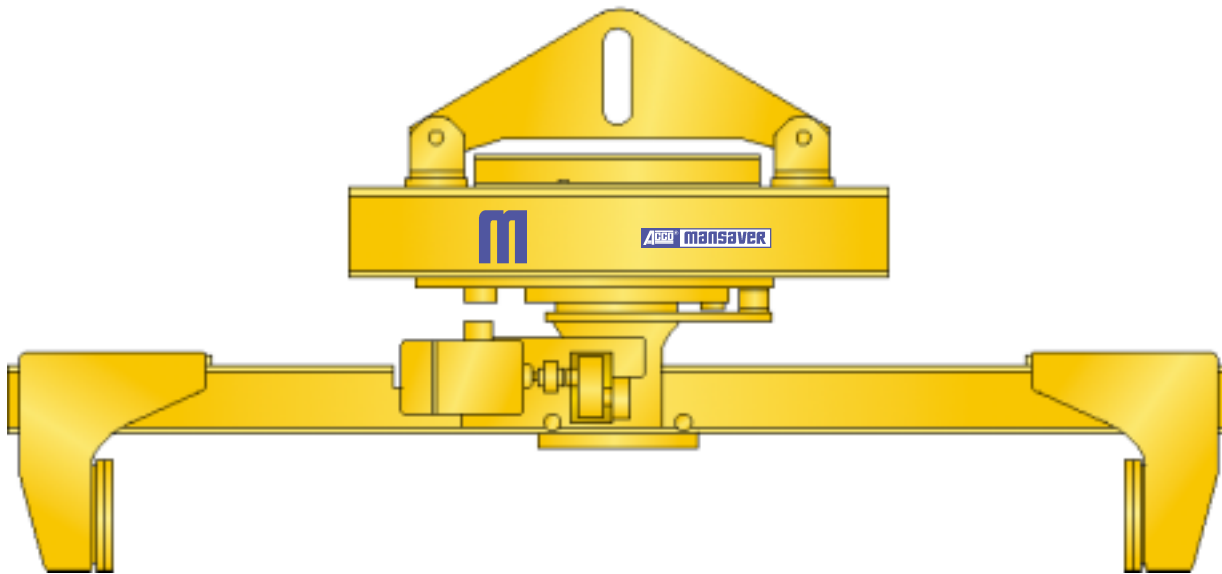
Call 1-800-255-0588
407-846-0588 Fax: 846-1066
info@jherbertcorp.com

Visit us online:
www.jherbertcorp.com

mansaver[®]

"The Lifting Power You Need."

G1595 End Gripping Grabs



- Grab with motorized grip and rotation functions

7.6.2 

Authorized Sales & Service
J. HERBERT CORPORATION
Call 1-800-255-0588
407-846-0588 Fax: 846-1066
info@jherbertcorp.com

Visit us online:
www.jherbertcorp.com

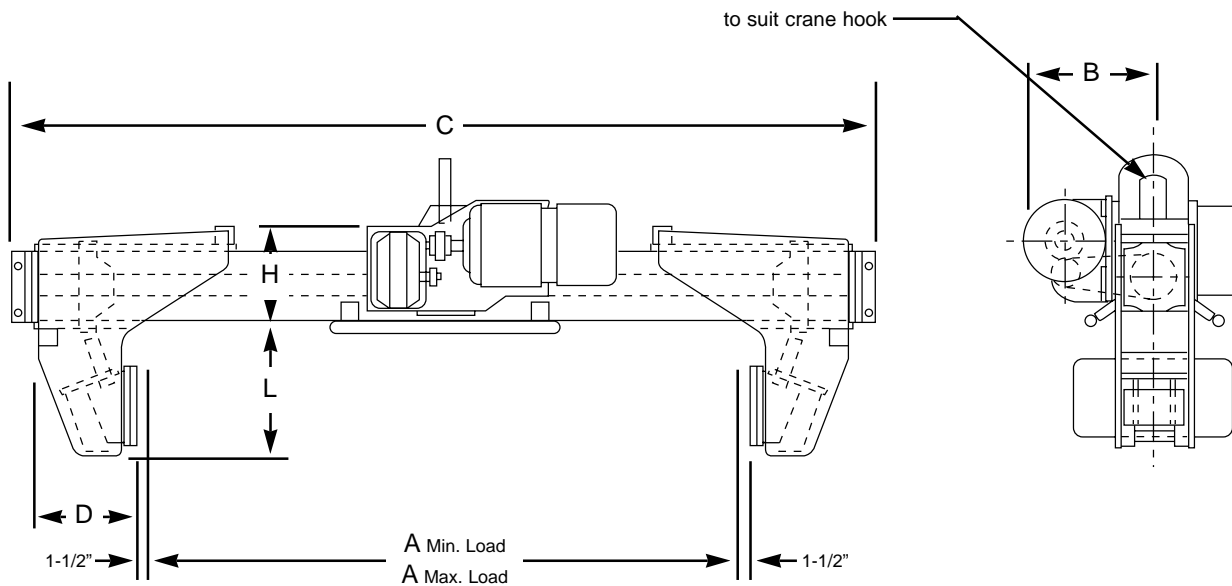


G1595 End Gripping Grabs

Standard Roll Grabs

Capacity in lbs.	Roll Width		L	B	C	D	H	Est. wt. lbs.
	Min. A	Max. A						
2,000	24	72	13	7	105	9	7	650
6,000	24	72	13	7	109	9	7	750
10,000	30	90	15	16	130	12	11	1,500
20,000	40	104	21-1/2	20	144	14	13-1/2	3,000

All dimensions shown are in inches and are approximate.



Authorized Sales & Service
J. HERBERT CORPORATION
 Call 1-800-255-0588
 407-846-0588 Fax: 846-1066
 info@jherbertcorp.com
 Visit us online:
 www.jherbertcorp.com

Authorized Sales & Service
J. HERBERT CORPORATION
Call 1-800-255-0588
407-846-0588 Fax: 846-1066
info@jherbertcorp.com
Visit us online:
www.jherbertcorp.com



G1595 End Gripping Grabs

Selection Guide

All Mansaver® G1595 grabs are designed to perform specific lifting tasks in conjunction with other lifting equipment. The grab examples and standard model descriptions on the pre-

ceding pages are intended to assist in determining what style grab is best suited to your lifting application. Please supply available application information and submit to the ACCO

Mansaver® sales department for pricing and further assistance in equipment choice.

All ACCO MANSAYER® Products meet or exceed ANSI B.30.20* for "Below The Hook" lifting devices.

All ACCO MANSAYER® Products have a one year warranty on workmanship and materials.**

* Please refer to ANSI Standards B.30.20 and B.30.9 for all lifting applications and guidelines.

** Consult the factory for further details.

LOAD INFORMATION:

Load material: _____

Load diameter and length range: _____

Maximum load weight: _____

GRAB INFORMATION:

Required grab capacity: _____

Manual or powered: _____

Capacity of the hoist the grab will used with: _____

Grab suspension (single or double, pin or plate bail, other): _____

Options (powered rotation, bail interlock switch, other): _____

Lifting Hoist Hook Information on reverse side

Clear Form

Authorized Sales & Service
J. HERBERT CORPORATION
Call 1-800-255-0588
407-846-0588 Fax: 846-1066
info@jherbertcorp.com
Visit us online:
www.jherbertcorp.com



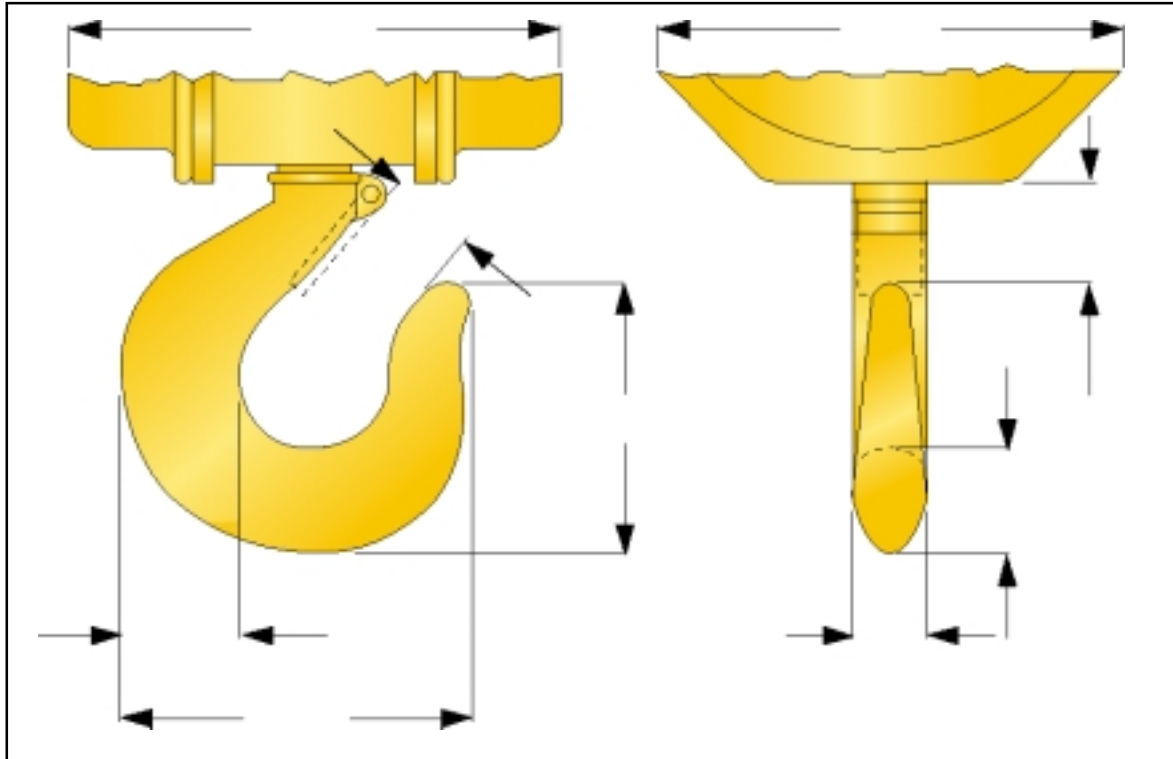
mansaver[®]

"The Lifting Power You Need."

G1595 End Gripping Grabs

Lifting Hoist Hook Information

(Please Fill Out Completely)



Acco[®] Acco Chain & Lifting Products Division

76 Acco Drive, Box 792, York, PA 17405
Telephone 800-967-7333 Fax 800-715-8897
www.accolifting.com

PART OF THE **FKI** GROUP OF COMPANIES

Acco[®] 7.6.6

Authorized Sales & Service
J. HERBERT CORPORATION
Call 1-800-255-0588
407-846-0588 Fax: 846-1066
info@jherbertcorp.com

Visit us online:
www.jherbertcorp.com