

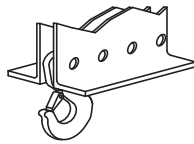
LLL B LOAD LEVELING LIFTING BEAM

Authorized Sales & Service
J. HERBERT CORPORATION
 Call 1-800-255-0588
 407-846-0588 Fax: 846-1066
 info@jherbertcorp.com
 Visit us online:
 www.jherbertcorp.com

LIFTING BEAMS

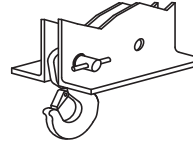
PRODUCT FEATURES

- Handles off center loads by adjusting the bail before a lift.
- Infinite adjustment of bail within range.
- Swivel hooks with hook latches standard.
- Wide range of sizes and capacities available.
- Complies with ASME standards.



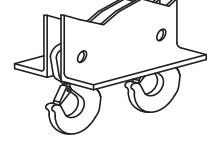
OPTION A
Extra Holes

Allows for multiple hook positioning. Specify number and spread(s) required.
 *Could increase headroom.



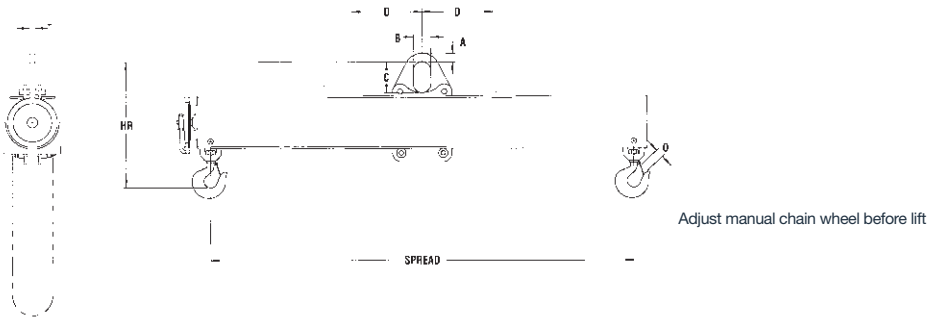
OPTION B
Faspins

For ease of positioning hooks with quick release. Specify number of faspins required.



OPTION C
Extra hooks

Allows for multiple pick points. Specify number of hooks required.



SPECIFICATIONS (chain wheel model only)

Rated Capacity (tons)	Model Number HR Headroom (in.) Weight (lbs.)	Spread (feet)										Other Dimensions (in.)	
		4	6	8	10	12	14	16	18	20	24		
2	Model Number	LLL B24	LLL B26	LLL B28	LLL B210	LLL B212	LLL B214	LLL B216	LLL B218	LLL B220	LLL B224	A=1-1/2 B=3 C=5	T=5/8 O=1
	HR Headroom	15-1/8	15-1/8	16-1/8	17-1/8	17-1/8	18-1/8	18-1/8	19-1/8	19-1/8	20-1/8		
	Weight	135	185	260	329	377	481	538	680	750	1265		
5	Model Number	LLL B54	LLL B56	LLL B58	LLL B510	LLL B512	LLL B514	LLL B516	LLL B518	LLL B520	LLL B524	A=2 B=4 C=7	T=1 O=1
	HR Headroom	21-1/2	21-1/2	23-1/2	23-1/2	25-1/2	25-1/2	25-1/2	28-1/2	28-1/2	28-1/2		
	Weight	170	270	382	475	681	777	950	1455	1603	2345		
10	Model Number	LLL B104	LLL B106	LLL B108	LLL B1010	LLL B1012	LLL B1014	LLL B1016	LLL B1018	LLL B1020	LLL B1024	A=2 B=4 C=7	T=1-1/4 O=1-3/4
	HR Headroom	25-3/4	28-3/4	28-3/4	31-3/4	31-3/4	31-3/4	31-3/4	34-3/4	34-3/4	34-3/4		
	Weight	257	440	500	940	1094	1243	1388	1875	2056	2560		
15	Model Number	LLL B154	LLL B156	LLL B158	LLL B1510	LLL B1512	LLL B1514	LLL B1516				A=2-1/2 B=5 C=9	T=1-1/2 O=1-3/4
	HR Headroom	30-1/2	33-1/2	33-1/2	33-1/2	36-1/2	36-1/2	36-1/2					
	Weight	376	565	622	972	1319	1418	1513					
20	Model Number	LLL B204	LLL B206	LLL B208	LLL B2010	LLL B2012						A=2-1/2 B=5 C=9	T=1-1/2 O=2
	HR Headroom	34	37	37	37	37							
	Weight	445	798	900	1050	1353							

Bail Adjustment (in.)	D=8	D=12	D=16	D=20	D=24	D=28	D=32	D=36	D=40	D=48
-----------------------	-----	------	------	------	------	------	------	------	------	------