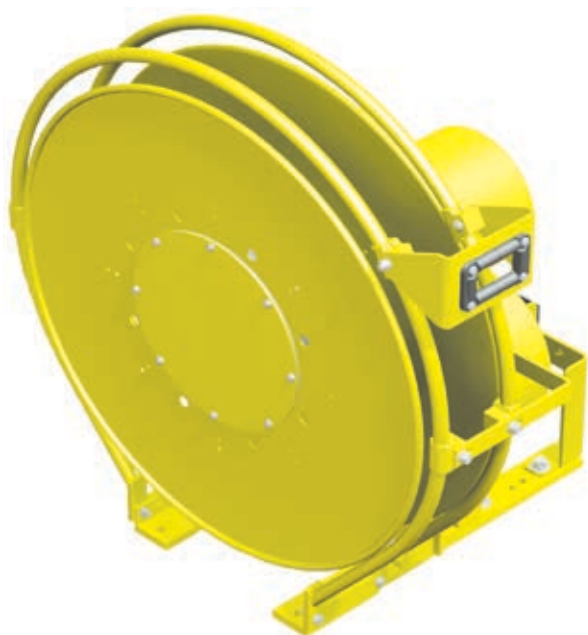


3200 & 3600 Series PowerReel®

Our Heavy-Duty 3200 and 3600 Series Cable Reels are designed for larger, more robust applications. These reels will handle cables ranging from 16 AWG to 1 AWG cables, having up to 36 conductors, and in lengths up to 200 feet (60 m).

Reels are generally sized for type SOOW-A, Type W or Type G-GC cable.



3200 - 3600 Series Reels are ideal for:

- Overhead cranes & hoists
- Theater lighting cables
- Conveyors & trippers
- Any very demanding application

Standard Features

- All-steel modular construction with yellow powder coated finish
- Roller-guide able to be mounted anywhere along a 345° arc
- Safety-sealed, lifetime lubricated spring motor canisters with **Quick-Change** feature
- External spring torque adjustment
- Reel lifting eyes
- Integrated junction box and spool guard rails
- Sealed slip ring housing (NEMA 4)

Reel Options

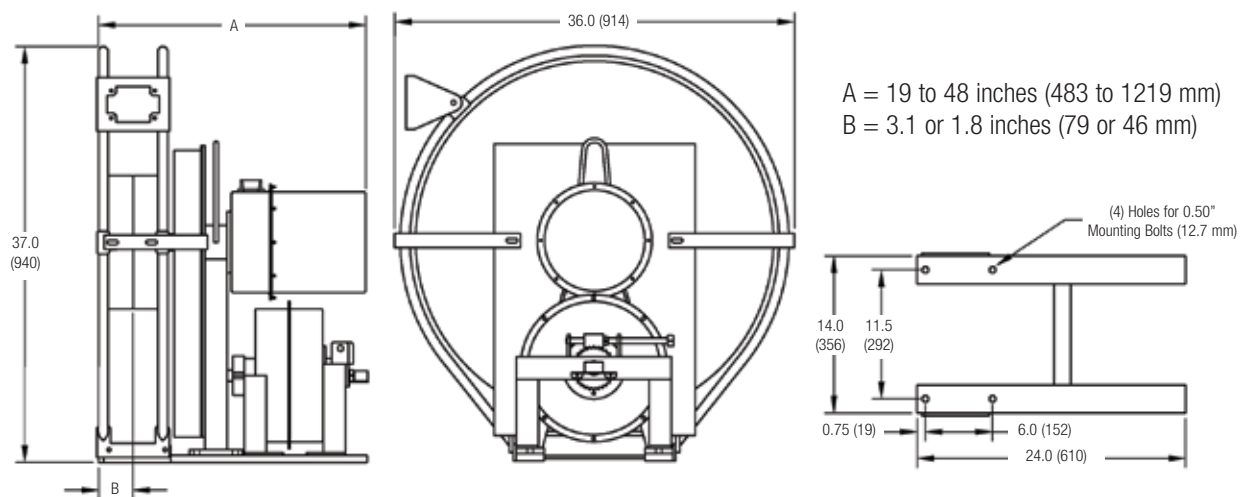
- Left Hand Rotation - contact factory
- Spool Lock (page 26)
- Limit Switch (page 27)
- Marine Duty (page 27)
- Pivot Base (page 24)
- Ratchet (page 26)
- ReelSafe Brake (Retraction Governor, page 26)

Other Custom Features - Contact Conductix-Wampfler

Choosing a 3200-3600 Series Cable Reel

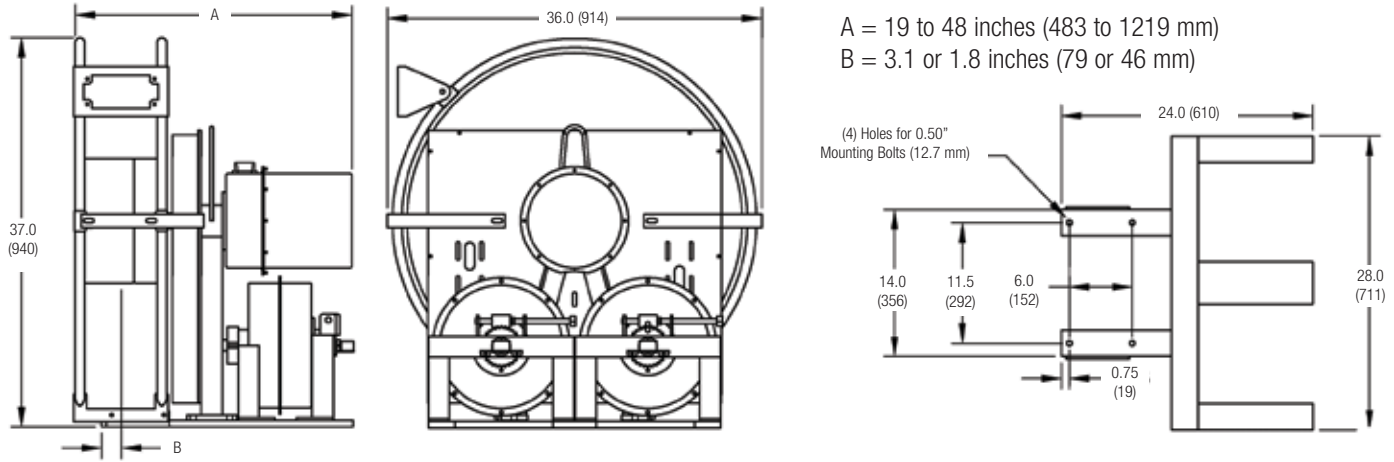
- Use the Specification Data Sheets on pages 4-5 to determine your needs. Contact the factory for quotations.
- Be sure to specify enough cable - see "Cable Length Needed" on page 5.

3200 Series Dimensions, Single Motor

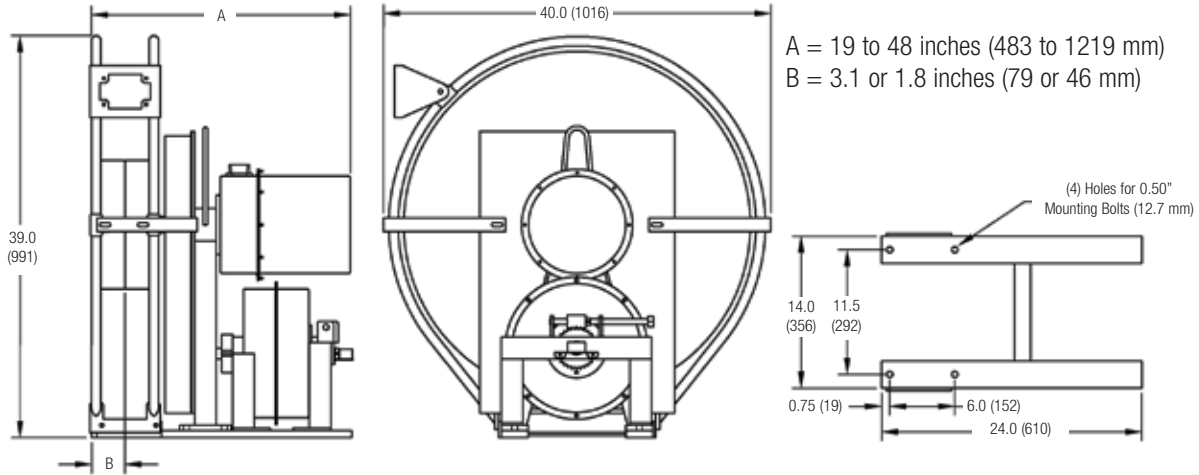


3200 & 3600 Series PowerReel® Dimensions

3200 Series Dimensions, Dual Motor



3600 Series Dimensions, Single Motor



3600 Series Dimensions, Dual Motor

