

Authorized Sales & Service
J. HERBERT CORPORATION
 Call 1-800-255-0588
 407-846-0588 Fax: 846-1066
 info@jherbertcorp.com
 Visit us online:
 www.jherbertcorp.com

FSB FIXED SPREADER BEAM

PRODUCT FEATURES

- Ideal where headroom is not limited.
- Adds stability to lift.
- Available with standard chain or wire rope rigging.
- Available with Adjust-A-Leg® rigging for off center load adjustment (minimum lifting capacity will be approximately 10-15% of beam rating).
- Wide range of additional sizes and capacities available.
- Complies with ASME standards.

Specify Top Rigging



TOP RIGGING OPTIONS

OPTION C

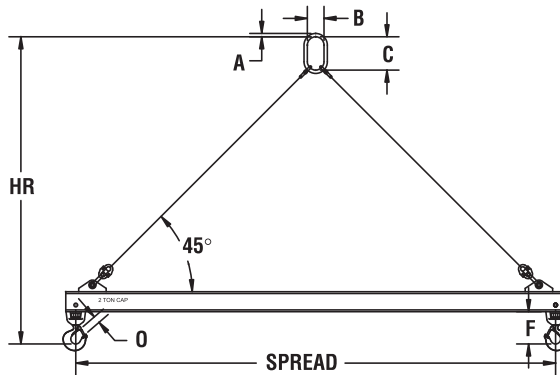
Chain top rigging from beam to crane hook.

OPTION W

Wire rope top rigging from beam to crane hook.

OPTION A

Adjust-A-Leg® sling top rigging for off-center load adjustment (not included in QuickShip Program).



SPECIFICATIONS

Capacity (tons)	Model Number HR Headroom (in.) Weight (lbs.)	Spread (feet)								Other Dimensions (in.)	
		4	6	8	10	12	16	20	24		
2	Model Number	FSB24	FSB26	FSB28	FSB210	FSB212	FSB216	FSB220	FSB224	A=1/2	F=4-1/4
	HR Headroom	34	46	58	70	82	106	132	156	B=2-1/2	O=31/32
5	Model Number	FSB54	FSB56	FSB58	FSB510	FSB512	FSB516	FSB520	FSB524	A=1	F=6
	HR Headroom	37	49	61	73	83	110	134	158	B=3-1/2	O=1-1/16
10	Model Number	FSB104	FSB106	FSB108	FSB1010	FSB1012	FSB1016	FSB1020	FSB1024	A=1-1/4	F=8-1/8
	HR Headroom	41	53	64	77	86	113	138	163	B=4-3/8	O=1-1/2
15	Model Number	FSB154	FSB156	FSB158	FSB1510	FSB1512	FSB1516	FSB1520	FSB1524	A=1-1/2	F=9-1/4
	HR Headroom	43	55	65	80	92	116	140	167	B=5-1/4	O=1-3/4
20	Model Number	FSB204	FSB206	FSB208	FSB2010	FSB2012	FSB2016	FSB2020	FSB2024	A=1-3/4	F=9-3/4
	HR Headroom	46	58	69	82	94	118	140	170	B=6	O=2
30	Model Number		FSB306	FSB308	FSB3010	FSB3012	FSB3016	FSB3020		A=1-3/4	F=9-3/4
	HR Headroom		60	70	83	95	120	145		B=6	O=2
40	Model Number		FSB406	FSB408	FSB4010	FSB4012	FSB4016			A=2	F=13
	HR Headroom		65	77	89	102	127			B=7	O=2-3/4
	Weight		563	695	781	1058	1364			C=14	

NOTE: Weight = Beam and hooks only - (no top rigging).