

# 1400 Series PowerReel®

Authorized Sales & Service  
**J. HERBERT CORPORATION**  
Call 1-800-255-0588  
407-846-0588 Fax: 846-1066  
info@jherbertcorp.com  
Visit us online:  
www.jherbertcorp.com

The **1400 Series PowerReel®** is the leading industrial grade cable reel in its class. These reels are the “professionals’ choice”. The reel is modular and built with a minimum of components for maximum reliability. This reel will give you years of service with little or no maintenance. It has all the features you need for demanding industrial applications.

## 1400 Series PowerReels are ideal for:

- Assembly and fabrication work areas
- Extendable conveyors
- Automotive and truck work bays
- Class A-C overhead cranes / hoists
- Schools and theaters
- Truck cranes, utility, and ladder trucks

## Standard Features

- Rugged, steel frame construction with safety chain hole for overhead-mounted reels.
- Precision-built main spring housed in a safety-sealed canister
- Durable yellow powder coated finish, with black thermoplastic slip ring cover
- Available with cable in common sizes - see page 12.
- Operating Temperature Range: -22°F to 194°F (-30°C to 90°C)

## Each 1400 PowerReel includes:

- **Adjustable Guide Arm:** Directs the cable to where you need it. Guide has 12 possible positions. Includes smooth-running 4 roller guide for minimum cable stress.
- **Ratchet:** Locks the spool to maintain the desired cable extension, until the user releases it with a pull on the cable. The ratchet can be disabled for constant tension (“stretch”) applications - see page 4 for definition.
- **Adjustable Ball Stop:** Limits cable retraction and prevents damage to cord-end accessories. Included only with “Lift/Drag” reels listed on page 12. Available as an option for other reels - see page 21.
- **Precision Slip Ring Assembly:** Provides flawless contact and long operational life. Enclosed in NEMA 4 weather-proof, gasketed enclosure. Ring #1 is grounded to the enclosure for safety.



UL and CSA Listed For indoor and outdoor use - if we supply the cable



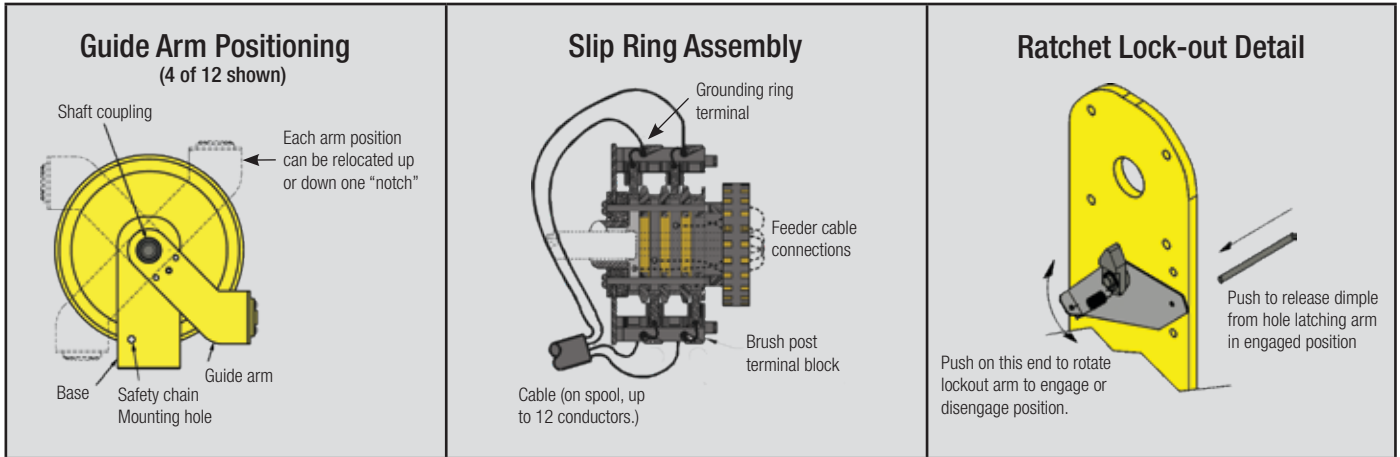
## Choosing a 1400 Series PowerReel

- The reels on page 12 are sized for Lift/Drag applications, such as ceiling or wall/bench mounting - See page 4 for definitions.
- This reel can accommodate other applications - see Specification Data Sheets on page 4-5.
- Cable length is actual length. Be sure to order enough cable - see “Cable Length Needed” on page 5.

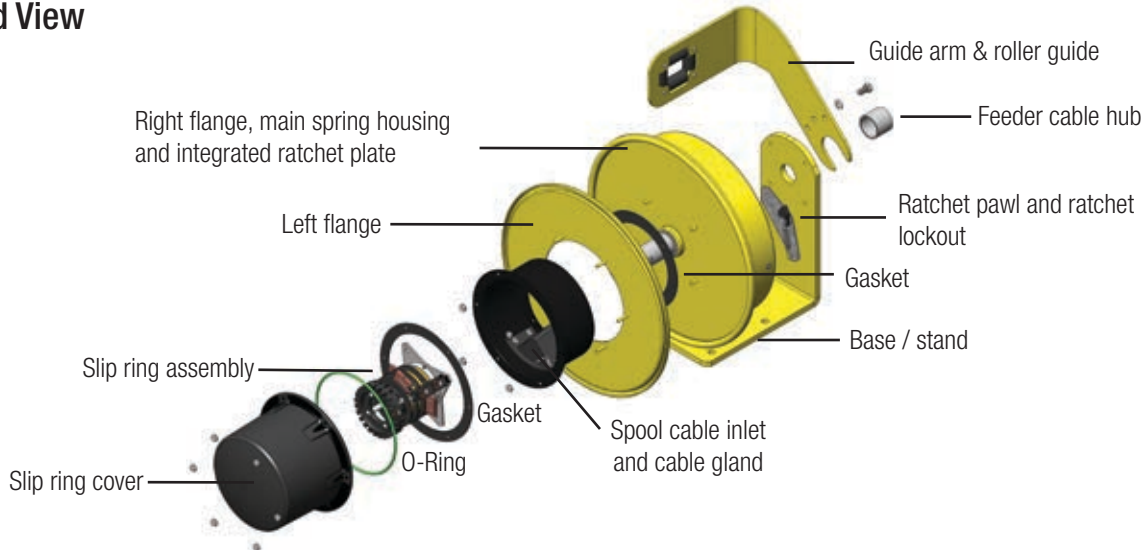
Visit [www.conductix.us](http://www.conductix.us) for the most current information.

# 1400 Series PowerReel® Features

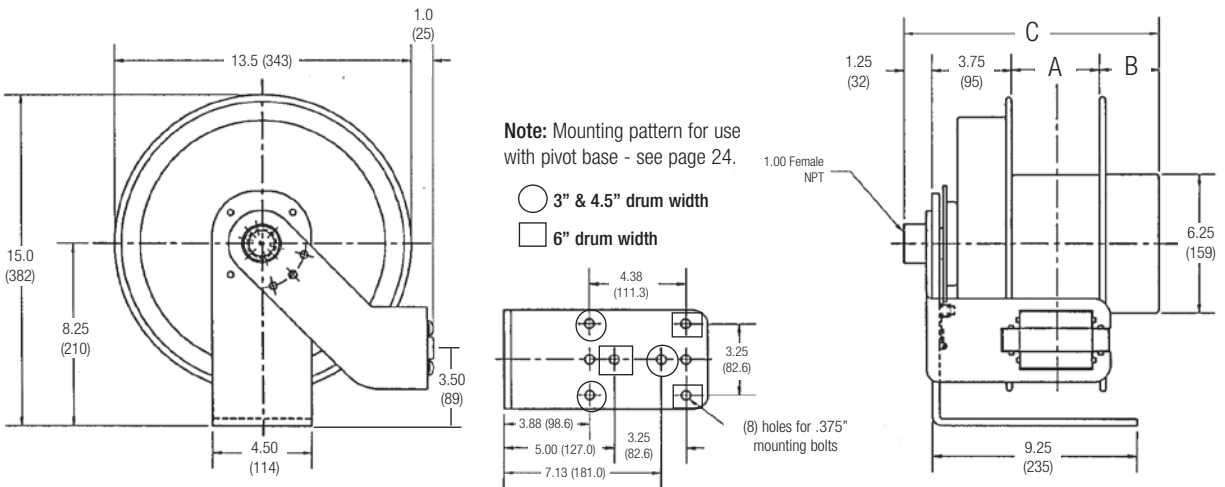
Authorized Sales & Service  
**J. HERBERT CORPORATION**  
 Call 1-800-255-0588  
 407-846-0588 Fax: 846-1066  
 info@jherbertcorp.com  
 Visit us online:  
 www.jherbertcorp.com



## Exploded View



## Dimensions - Inches (mm) A, B, and C dimensions depend on the exact reel configuration - Contact Factory



- A = 3.0 to 6.0 (76-152)
- B = 3.5 to 8.5 (89-216)
- C = 13.0 to 18.0 (330-457)

For more information, please download the 1400 Series Manual from [www.conductix.us](http://www.conductix.us)

# 1400 Series PowerReel® Selection Chart

The most common 1400 Series configurations are listed below. Cable lengths listed are the total length of cable on the spool, plus some allowance for safety wraps and connections internal to the reel.

Reels operate best when the cable is payed out parallel with the guide and retracted the same way. If necessary, the payout angle can be a maximum of 15° from parallel. For greater payout angles, we recommend adding a pivot base (pages 13 or 24) or swivel base (page 25).

- The reels below:
- Are UL and CSA listed to NEMA 4
  - Come with one conductor grounded to the reel.  
e.g: 3 conductors (single-phase) = 2 live conductors + 1 ground
  - Come with Type SOOW-A cable pre-installed
  - Come with ball stop (3 or 4 conductors only)

Cable AWG / # of Con.	Available Cable Length in Feet (Meters)						
	20 (6.10)	30 (9.14)	40 (12.19)	50 (15.24)	60 (18.29)	70 (21.33)	80 (24.38)
16/3	1421603020**	1421603030**	1421603040**	1421603050**	1421603060**	1421603070**	1421603080**
16/4	1421604020**	1421604030**	1421604040**	1421604050**	1421604060**	1421604070XX	1421604080XX
16/6	1421606020**	1421606030**	1421606040**	1421606050**	+	+	+
16/8	1421608020**	1421608030**	1421608040**	1421608050**	+	+	+
16/10	1421610020**	1421610030**	1421610040**	+	+	+	+
16/12	1421612020**	1421612030**	1421612040XX	+	+	+	+
14/3	1421403020**	1421403030**	1421403040**	1421403050**	1421403060XX	1421403070XX	+
14/4	1421404020**	1421404030**	1421404040**	1421404050**	1421404060XX	142140407031	+
14/6	1421406020**	1421406030**	1421406040**	1421406050XX	+	+	+
14/8	1421408020**	1421408030**	+	+	+	+	+
14/10	1421410020**	+	+	+	+	+	+
14/12	+	+	+	+	+	+	+
12/3	1421203020**	1421203030**	1421203040**	1421203050**	1421203060XX	+	+
12/4	1421204020**	1421204030**	1421204040**	1421204050**	142120406031	+	+
12/6	1421206020**	1421206030**	+	+	+	+	+
12/8	1421208020**	+	+	+	+	+	+
10/3	1421003020**	1421003030**	1421003040**	142100305031	142100306031	+	+
10/4	1421004020**	1421004030**	1421004040XX	142100405031	+	+	+
10/6	1421006020**	1421006030**	+	+	+	+	+

\*\* Add the two-digit code from the list below to the above part numbers to ensure that the reel is properly set up for the desired application. Refer to page 4 for application details.

- 11 = Lift or Drag Application
- 21 = Stretch Application
- 31 = Retrieve Application

XX = Reels can be used in Lift/Drag (11) or Retrieve (31) applications only.

31 = Reels can be used in a "Retrieve" application only.

**IMPORTANT**

If the reel will be:

- Paying out and retracting at a very high cycle rate
  - Operating in an exceptionally harsh environment
- you may need **Premium Cable** - see Appendix VII, page 43, and contact Conductix-Wampfler for details.

**Don't see the cable reel you need in our catalog? Contact Conductix-Wampfler!**  
**We have wide variety of reels designed for special applications.**

# Common 1400 Series PowerReel® Accessories

## Pivot Base

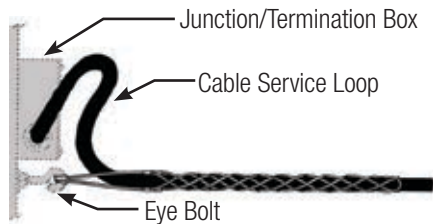


The Pivot Base allows reels to swivel up to 345 degrees left-to-right. The unit bolts to the base of the reel in the field (see page 24 for more details). Also fits 1200 Series reels.

Part No.	Wt lb (kg)
PVB	7.5 (3.41)

For 360° Swivel Base, see page 25

## Cord/Cable Grips



Cable Grips (or “Kellems Grips”) relieve the concentrated strain at the cable termination point, thereby increasing cable life. Grips are recommended for all applications. In most installations, the eye of the cable grip is connected to an eye bolt or U-bolt. Allow for a cable service loop to minimize the strain on the cable.

Part No.	Description
03622	Cable grip for cable O.D. ranges 0.430” to 0.610”
03623	Cable grip for cable O.D. ranges 0.611” to 0.740”
03624	Cable grip for cable O.D. ranges 0.741” to 0.990”
03625	Cable grip for cable O.D. ranges 0.991” to 1.24”
03626	Cable grip for cable O.D. ranges 1.25” to 1.49”

## Incandescent Hand Lamp



The HSR has a high impact yellow handle with recessed on/off switch and 15 amp, 125 volt outlet on the side. Features a grounded steel reflector cage with swivel hanger. Accepts up to 14/3 SJ00W-A cable. 100-watt rough service bulb not included.

UL listed for indoor use.

Part No.	Wt lb (kg)
HSR	1.3 (0.59)

## Fluorescent Hand Lamp

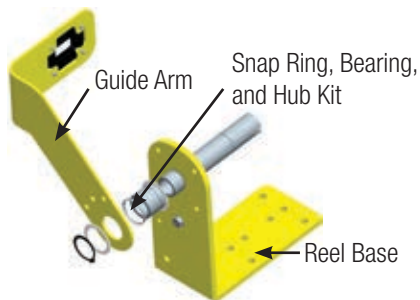


The FHL has rubber handles with switch and hanger. Features a plastic non-glare shield with cool operating 13-watt lamp (included). Ballast is mounted on the feeder cord. For use with 16 or 14 AWG 3 conductor SJ00W-A cable only.

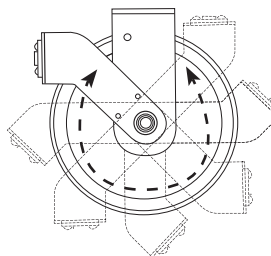
UL listed for indoor use.

Part No.	Wt lb (kg)
FHL	1.2 (.55)

## Flop-Over Guide Kit



The Flop-Over Guide Kit consisting of a new guide arm assembly, special hub, snap ring, and bearings. The kit modifies the standard stationary guide arm to let it freely pivot around the shaft hub. Ideal for overhead reels that require a back and forth payout. For 1200 and 1400 Series only.



Part No.	Reel	Color
XA-41012FGK	1200	Yellow
XA-41012FGKBLK	1200	Black
XA-41012FGKTBW	1200	White
XA-PR87-3FGK	1400 A Width	Yellow
XA-PR87-3FGKBLK	1400 A Width	Black
XA-PR87-3FGKTBW	1400 A Width	White
XA-PR87-4FGK	1400 B Width	Yellow
XA-PR87-4FGKBLK	1400 B Width	Black
XA-PR87-4FGKTBW	1400 B Width	White
XA-PR87-6FGK	1400 C Width	Yellow
XA-PR87-6FGKBLK	1400 C Width	Black
XA-PR87-6FGKTBW	1400 C Width	White

Receptacle Boxes - see page 23.

Ball Stops - see page 21.