

- Tong style roll grabs for all applications
- Designed for safety and ease of use
- Available in any required load capacity

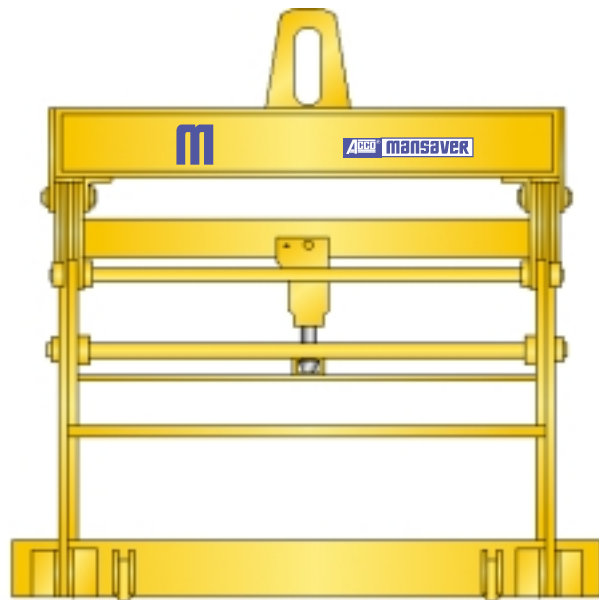
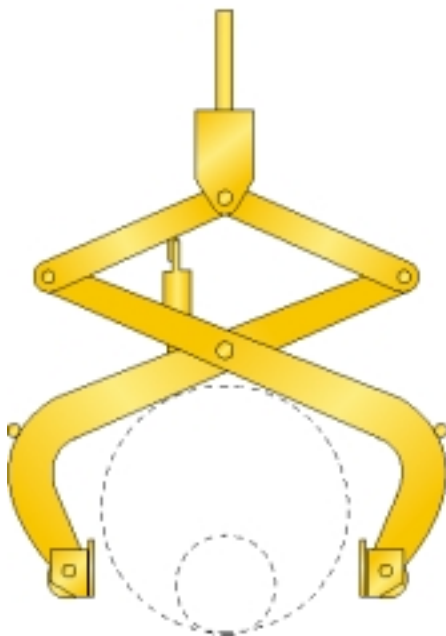
G1527 Roll Grabs

G1527 ROLL GRABS

Mansaver® offers G1527 grabs in configurations to meet the specific requirements of your lifting applications. Tong style circumference gripping roll grabs are usually used to handle paper roll but also are often used to lift rolls of metals and other materials. Minimum grip diameter for this type of grab is usually no less than 2/3 of the maximum desired grip diameter.

These lifters have the advantage of being fully mechanical, requiring no external power. All of these grabs are equipped with mechanical latches providing automatic hold-open and grip-release cycling.

All ACCO lifters conform to ASME B30.20 standards for below-the-hook lifters. Standard paint is ACCO safety yellow machine enamel.



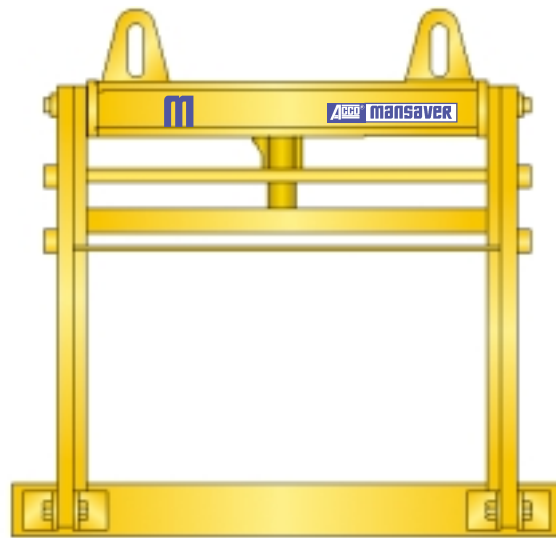
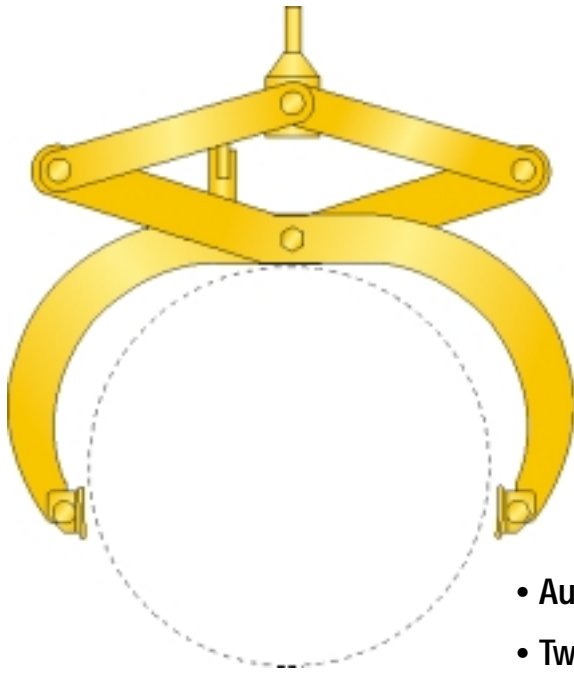
- Automatic roll grab with swiveling grip pads
- Grip pads equipped with rollers to aid opening and closing on smaller diameter rolls

Authorized Sales & Service
J. HERBERT CORPORATION
Call 1-800-255-0588
407-846-0588 Fax: 846-1066
info@jherbertcorp.com
Visit us online:
www.jherbertcorp.com

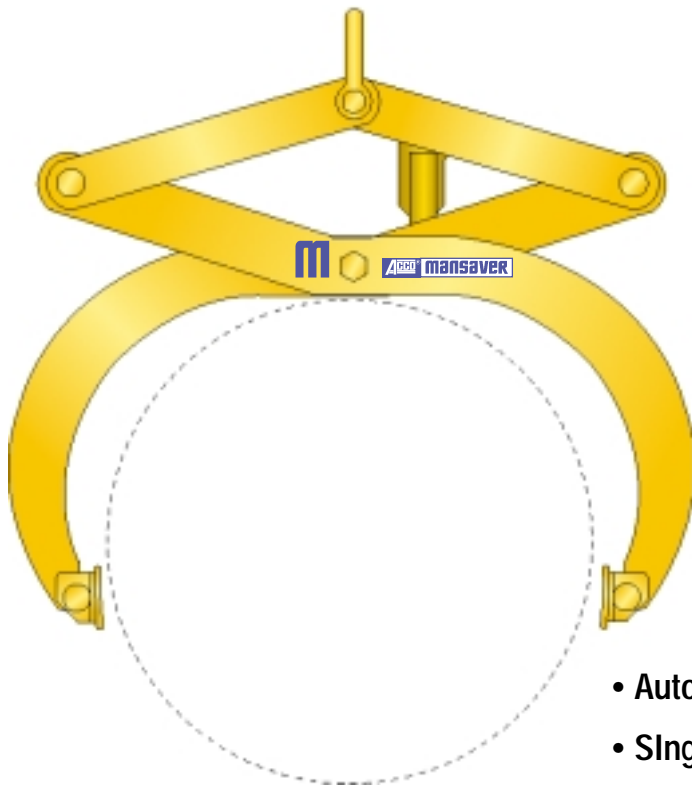
mansaver[®]

"The Lifting Power You Need."

G1527 Roll Grabs



- Automatic roll grab with swiveling grip pads
- Twin suspension plate type bails



- Automatic roll grab with swiveling grip pads
- Single set of legs for narrower roll widths

7.4.2 **ACCO**[®]

Authorized Sales & Service
J. HERBERT CORPORATION
Call 1-800-255-0588
407-846-0588 Fax: 846-1066
info@jherbertcorp.com

Visit us online:
www.jherbertcorp.com

© 2000 FKI Industries Inc. 6991-0018 JGD 2M 0600 Printed in U.S.A.



G1527 Roll Grabs

Selection Guide

All Mansaver® G1527 roll grabs are designed to perform specific lifting tasks in conjunction with other lifting equipment. The grab examples on the preceding page are

intended to assist in determining what style grab is best suited for your lifting task. Please supply available application information below and submit to the Mansaver® sales department for

pricing and further assistance in equipment choice.

All ACCO MANSAYER® Products meet or exceed ANSI B.30.20* for "Below The Hook" lifting devices.

All ACCO MANSAYER® Products have a one year warranty on workmanship and materials.**

* Please refer to ANSI Standards B.30.20 and B.30.9 for all lifting applications and guidelines.

** Consult the factory for further details.

LOAD INFORMATION:

Load description (paper, metal, or other rolls): _____

O.D. range: _____

Roll face width range: _____

Maximum load weight: _____

GRAB INFORMATION:

Required grab capacity: _____

Capacity of the hoist the grab will used with: _____

Lifter suspension (single, double): _____

Options (grip pad rollers, special grip pad facings, special paint, other): _____

Lifting Hoist Hook Information on reverse side

Clear Form

Authorized Sales & Service
J. HERBERT CORPORATION
Call 1-800-255-0588
407-846-0588 Fax: 846-1066
info@jherbertcorp.com
Visit us online:
www.jherbertcorp.com

ACCO® 7.4.3

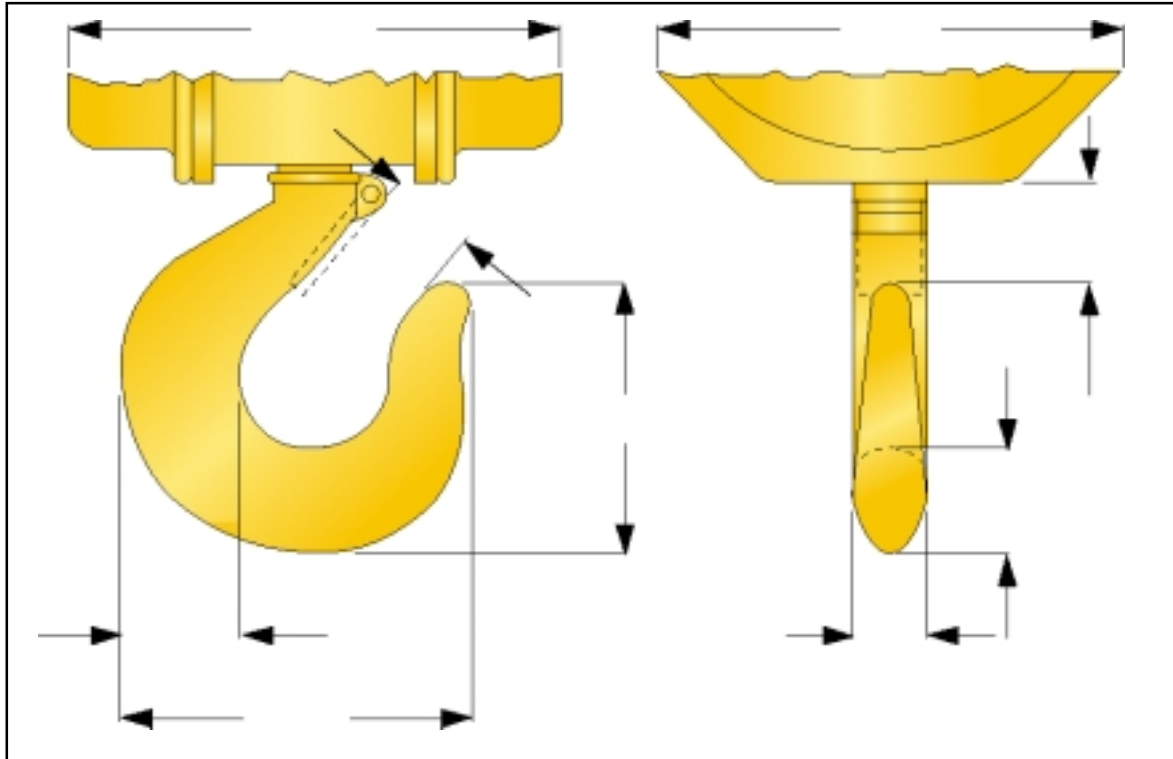
mansaver[®]

"The Lifting Power You Need."

G1527 Roll Grabs

Lifting Hoist Hook Information

(Please Fill Out Completely)



Acco[®] Acco Chain & Lifting Products Division

76 Acco Drive, Box 792, York, PA 17405
Telephone 800-967-7333 Fax 800-715-8897
www.accolifting.com

PART OF THE  FKI GROUP OF COMPANIES

Acco[®] 7.4.4

Authorized Sales & Service

J. HERBERT CORPORATION

Call 1-800-255-0588
407-846-0588 Fax: 846-1066
info@jherbertcorp.com

Visit us online:
www.jherbertcorp.com