

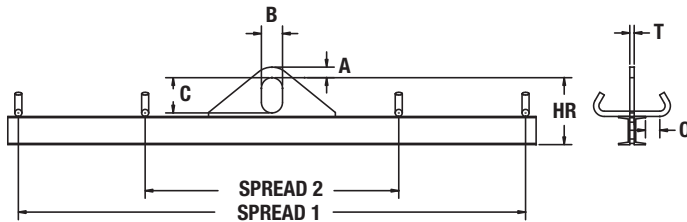
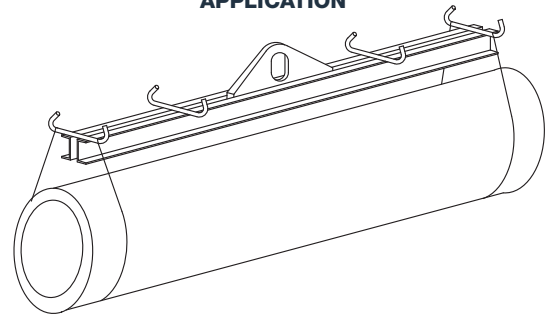
TBSB FIXED TWIN BASKET SLING LIFTING BEAM



PRODUCT FEATURES

- Designed to be used with slings in a basket hitch.
- Provides greatest clearance in low headroom applications.
- Two sets of bent bar hooks are standard on units with a spread of 6 feet and greater.
- Spread 2 is 1/2 of spread 1.
- Hooks are designed to handle up to a 2" sling eye width.
- Complies with ASME standards.

APPLICATION



SPECIFICATIONS

Capacity (tons)	Model Number HR Headroom (in.) Weight (lbs.)	Spread (feet)						Other Dimensions (in.)	
		3*	4*	6	8	10	12		
1/2	Model Number	TBSB10003	TBSB10004	TBSB10006	TBSB10008	TBSB100010	TBSB100012	A=7/8	T=3/4
	HR Headroom	8-1/2	8-1/2	8-1/2	8-1/2	8-1/2	9-1/2	B=3	O=2
1	Weight	40	48	78	95	113	171	C=5	
	Model Number	TBSB13	TBSB14	TBSB16	TBSB18	TBSB110	TBSB112	A=7/8	T=3/4
2	HR Headroom	8-1/2	8-1/2	9-1/2	10-1/2	10-1/2	11-1/2	B=3	O=2
	Weight	40	48	93	136	175	239	C=5	
5	Model Number	TBSB23	TBSB24	TBSB26	TBSB28	TBSB210	TBSB212	A=7/8	T=3/4
	HR Headroom	9-1/2	10-1/2	10-1/2	11-1/2	12-1/2	13-1/2	B=3	O=2
7 1/2	Weight	52	75	139	169	246	326	C=5	
	Model Number	TBSB53	TBSB54	TBSB56	TBSB58	TBSB510	TBSB512	A=2	T=1-1/4
7 1/2	HR Headroom	13-1/2	14-1/2	15-1/2	16-1/2	17-1/2	19-1/2	B=4	O=2
	Weight	104	135	211	310	423	618	C=7	
7 1/2	Model Number	TBSB753	TBSB754	TBSB756	TBSB758			A=2	T=1-1/4
	HR Headroom	12	14	15	17			B=4	O=2
7 1/2	Weight	125	185	315	475			C=7	

* 3 ft. and 4 ft. beams are provided with one set of bent bar hooks.

Authorized Sales & Service
J. HERBERT CORPORATION
 Call 1-800-255-0588
 407-846-0588 Fax: 846-1066
 info@jherbertcorp.com
 Visit us online:
 www.jherbertcorp.com