

# Rotating Crane Hooks

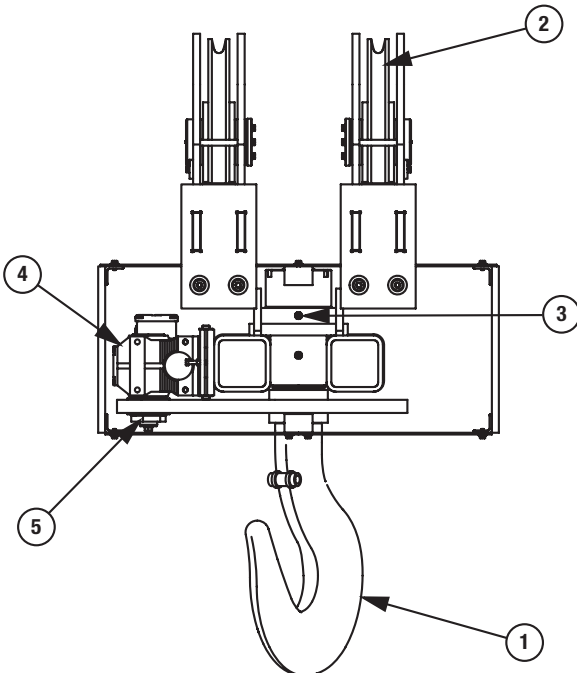
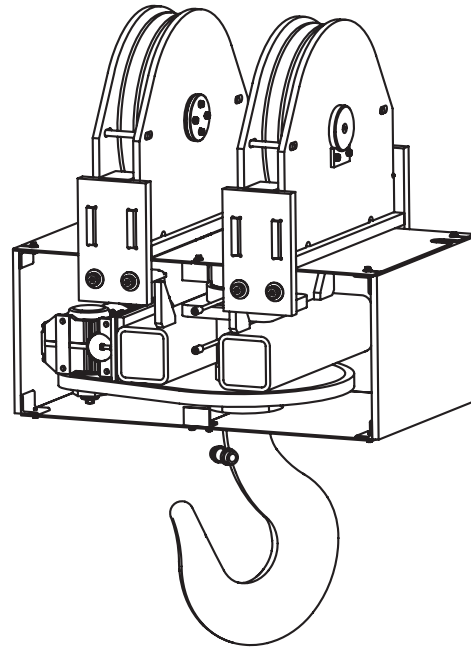
## Model 50 - Motorized Rotating Crane Hook



Shown with optional load scale.

### PRODUCT FEATURES:

- Custom designed to fit your applications.
- Allows for independent and precise position of load.
- Full 360° rotation @ 1-1/2 RPM.
- Controls feature soft-starting capability.
- Designed to operate on either direct or alternating power supply.



### Authorized Sales & Service

#### J. HERBERT CORPORATION

Call 1-800-255-0588  
407-846-0588 Fax: 846-1066  
info@jherbertcorp.com

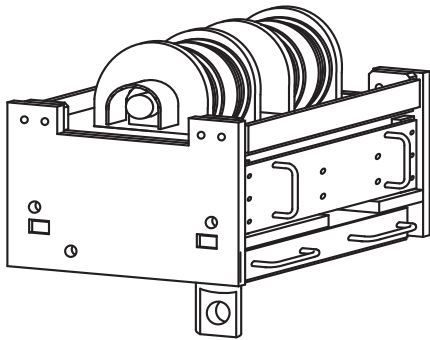
Visit us online:  
[www.jherbertcorp.com](http://www.jherbertcorp.com)

### STANDARD DESIGN FEATURES:

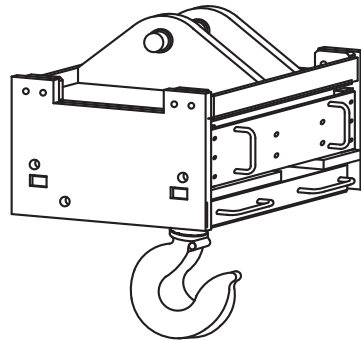
1. Heat treated forged steel hook with latch.
2. Steel sheaves with hardened rope grooves and tapered roller bearings.
3. High capacity thrust bearing.
4. Heavy duty helical-worm gear motor.
5. Chain and sprocket final drive.
6. Easy access for maintenance.
7. Controls include starter with overload, VFD (variable frequency drive) NEMA - 12 enclosure and pigtail.

# Rotating Crane Hooks

## Clevis Style



## Pin Bail



## Application Evaluation

1. CMAA Crane Duty Class: \_\_\_\_\_
2. Capacity of crane: \_\_\_\_\_
3. Number of sheaves: \_\_\_\_\_
4. Sheave diameter: \_\_\_\_\_
5. Sheave spacing (A): \_\_\_\_\_ (X): \_\_\_\_\_
6. Type of sheave bearings: \_\_\_\_\_
7. Wire rope diameter: \_\_\_\_\_
8. Maximum degree of rotation required: \_\_\_\_\_
9. Will a motorized grab be suspended from the hook?  
 Yes     No

10. Operating voltage: \_\_\_\_\_
11. Describe load to be rotated:
  - a. Weight \_\_\_\_\_
  - b. Length \_\_\_\_\_
  - c. Width \_\_\_\_\_
  - d. Height \_\_\_\_\_
  - e. Shape \_\_\_\_\_

12. Will hook be outdoors?

- Yes     No

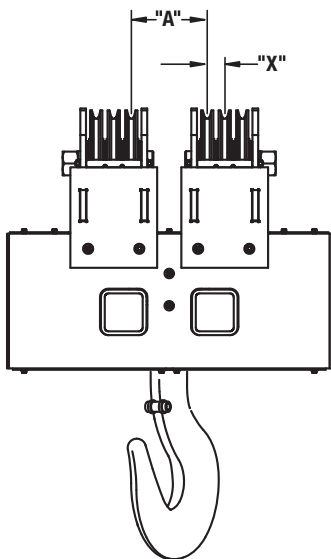
13. Operation controlled from:

- Cab     Pendant     Remote

14. Load scale required?     Yes     No

Describe requirements: \_\_\_\_\_

15. Options required: \_\_\_\_\_



For a price quote on your specific application, please complete the above form and fax to The Caldwell Group at **815-229-5686** or you can complete this form online at [www.caldwellinc.com/applications](http://www.caldwellinc.com/applications).

Contact: \_\_\_\_\_

Company: \_\_\_\_\_

Address: \_\_\_\_\_

City, State, Zip: \_\_\_\_\_

Phone: \_\_\_\_\_

Fax: \_\_\_\_\_

Email: \_\_\_\_\_