

- **Mechanical ingot grabs for all applications**
- **Designed for safety and ease of use**
- **Available in any required load capacity**

## **G1511 Ingot & Billet Grabs**

### **G1511 INGOT & BILLET GRABS**

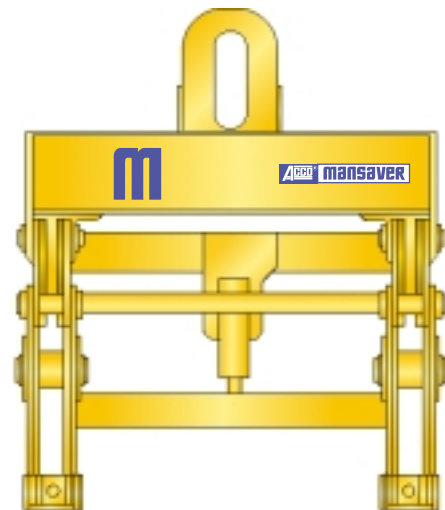
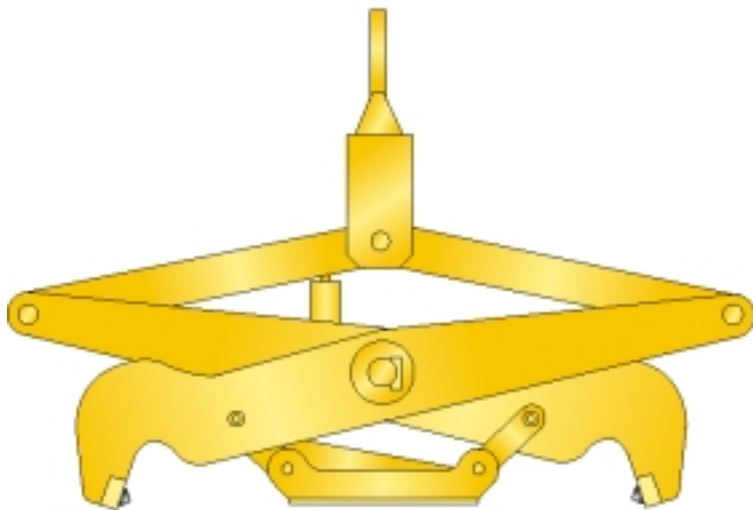
Mansaver® offers G1511 ingot grabs in both standard configurations or special designs to meet the specific requirements of your lifting applications.

These lifters have the advantage of being fully mechanical, requiring no external power. All of these grabs are equipped with mechanical latches providing automatic hold-open and grip-release cycling.

This type of grab is usually used to handle steel or aluminum ingots, but is readily adaptable for other applications where grip lifting is suitable.

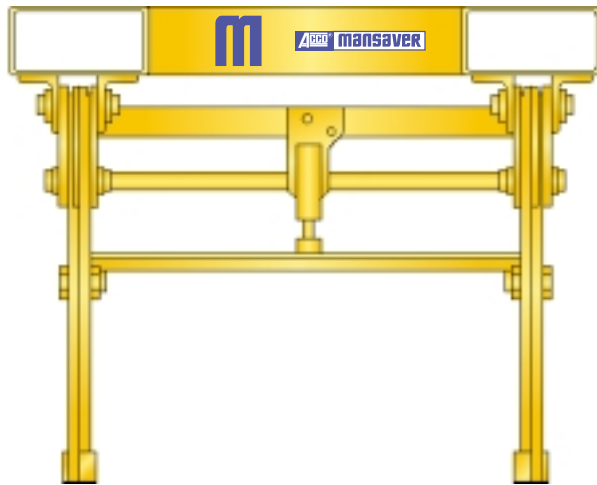
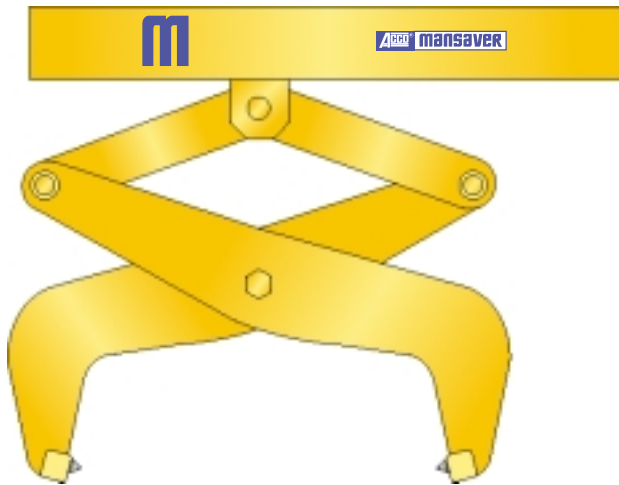
Double tong sets, shown below, are used to handle horizontal loads. G1511 grabs are also produced in single tong set versions, for use where a horizontal load orientation is not required.

All ACCO lifters conform to ASME B30.20 standards for below-the-hook lifters. Standard paint is ACCO safety yellow machine enamel.

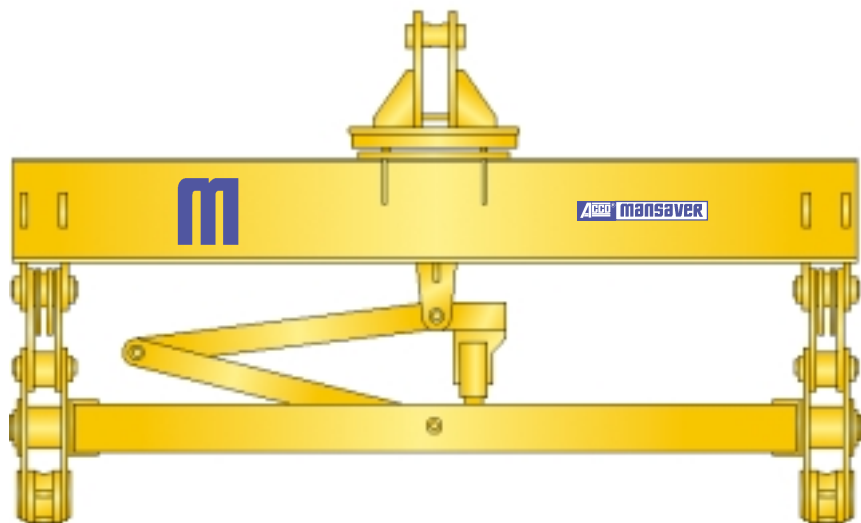
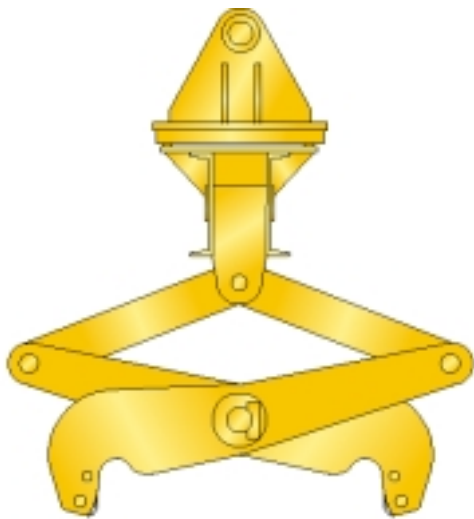


- **Fully automatic horizontal ingot tongs**
- **Interlinked load rest pad system**

# G1511 Ingot & Billet Grabs



- Automatic horizontal ingot tongs designed for fork lift operation

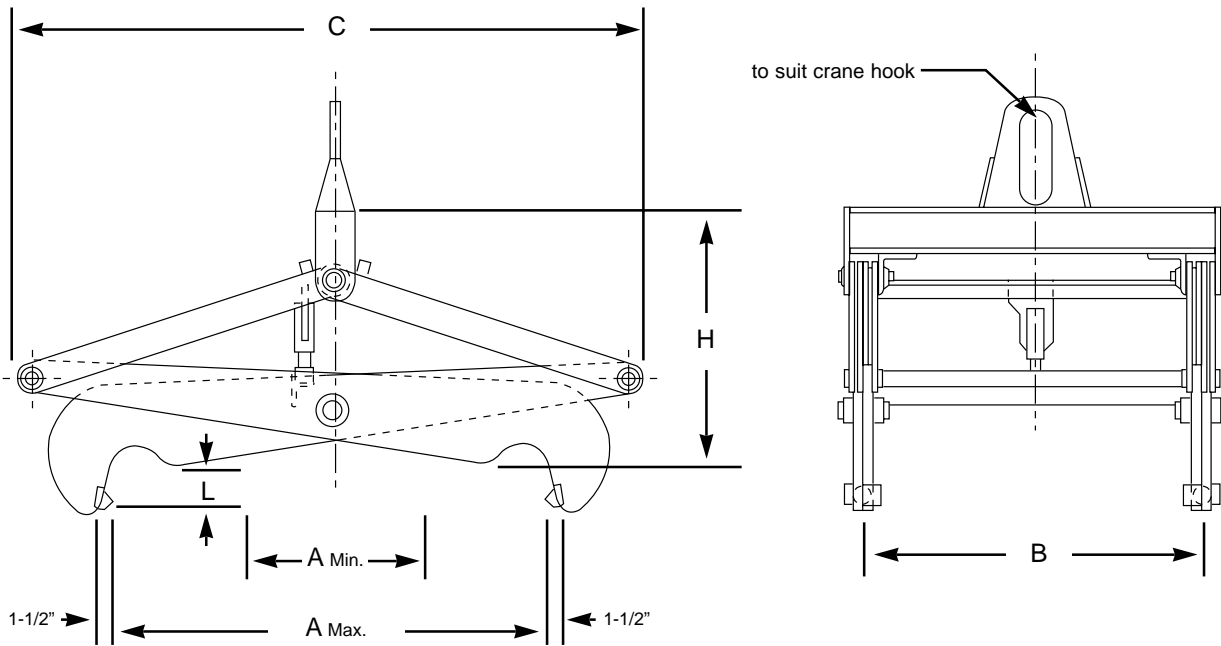


- Automatic tongs with power rotation
- Replaceable, serrated style grip jaws

## Standard Ingot Grabs

Capacity in Tons	Ingot Width		Depth L	Width C	Height		Point Centers B	Est. wt. lbs.
	Min. A	Max. A			Min. H	Max. H		
5	24	48	4	72	33	87	48	1,800
7-1/2	24	48	4	72	33	87	48	2,500
10	30	60	5	94	40	107	48	3,300
15	30	60	5	94	40	107	60	4,200
20	36	60	6	92	50	100	60	5,200
25	36	60	6	92	60	110	72	8,000
30	36	60	6	92	60	110	72	10,000
40	36	72	8	120	65	132	72	13,000
50	36	72	8	120	65	132	72	18,000

All dimensions shown are in inches and are approximate.



Authorized Sales & Service  
**J. HERBERT CORPORATION**  
 Call 1-800-255-0588  
 407-846-0588 Fax: 846-1066  
 info@jherbertcorp.com  
 Visit us online:  
 www.jherbertcorp.com

*Authorized Sales & Service*  
**J. HERBERT CORPORATION**  
Call 1-800-255-0588  
407-846-0588 Fax: 846-1066  
info@jherbertcorp.com  
**Visit us online:**  
[www.jherbertcorp.com](http://www.jherbertcorp.com)



# G1511 Ingot & Billet Grabs

## Selection Guide

All Mansaver® G1511 grabs are designed to perform specific lifting tasks in conjunction with other lifting equipment. The grab examples and standard model descriptions on the preceding

pages are intended to assist in determining what style grab is best suited to your lifting application. Please supply available application information and submit to the ACCO Mansaver®

sales department for pricing and further assistance in equipment choice.

All ACCO MANSAYER® Products meet or exceed ANSI B.30.20\* for "Below The Hook" lifting devices.

All ACCO MANSAYER® Products have a one year warranty on workmanship and materials.\*\*

\* Please refer to ANSI Standards B.30.20 and B.30.9 for all lifting applications and guidelines.

\*\* Consult the factory for further details.

### LOAD INFORMATION:

Load material: \_\_\_\_\_

Load size range: \_\_\_\_\_

Load temperature: \_\_\_\_\_

Maximum load weight: \_\_\_\_\_

### GRAB INFORMATION:

Required grab capacity: \_\_\_\_\_

Single or double tongs style: \_\_\_\_\_

Capacity of the hoist the grab will used with: \_\_\_\_\_

Grab suspension (single, double, other): \_\_\_\_\_

Bail style (plate, pin, sheaves): \_\_\_\_\_

Options (powered rotation, special paint, other): \_\_\_\_\_

Lifting Hoist Hook Information on reverse side

Clear Form

Authorized Sales & Service
J. HERBERT CORPORATION
Call 1-800-255-0588
407-846-0588 Fax: 846-1066
info@jherbertcorp.com
Visit us online:
www.jherbertcorp.com



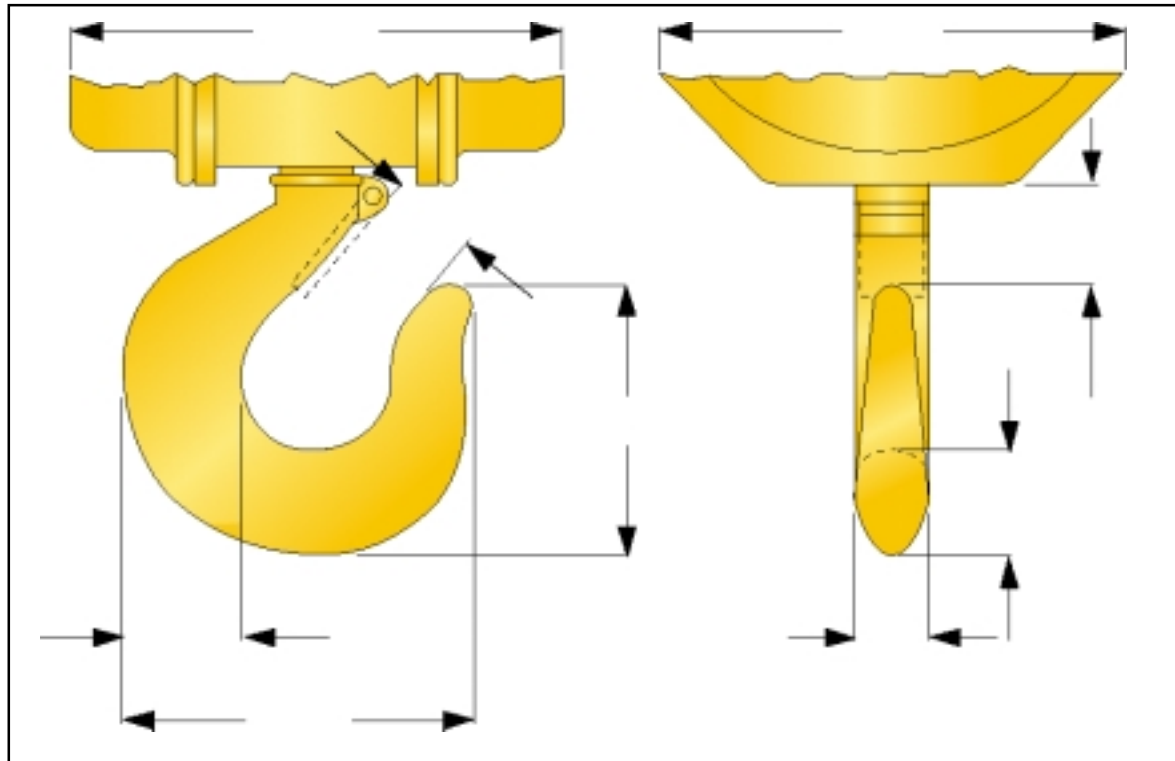
**mansaver<sup>®</sup>**

*"The Lifting Power You Need."*

# G1511 Ingot & Billet Grabs

## Lifting Hoist Hook Information

*(Please Fill Out Completely)*



**Acco<sup>®</sup> Acco Chain & Lifting Products Division**

76 Acco Drive, Box 792, York, PA 17405  
Telephone 800-967-7333 Fax 800-715-8897  
www.accolifting.com

PART OF THE **FKI** GROUP OF COMPANIES

**Acco<sup>®</sup> 6.1.6**

*Authorized Sales & Service*

**J. HERBERT CORPORATION**  
Call 1-800-255-0588  
407-846-0588 Fax: 846-1066  
info@jherbertcorp.com

Visit us online:  
www.jherbertcorp.com