

# Pipe & Manhole Handling

Authorized Sales & Service  
**J. HERBERT CORPORATION**  
 Call 1-800-255-0588  
 407-846-0588 Fax: 846-1066  
 info@jherbertcorp.com  
 Visit us online:  
 www.jherbertcorp.com

**Caldwell** The Caldwell Group • 800-628-4263 • www.caldwellinc.com 2014-2016 Master Catalog RIG-MASTER® Section

## Model PLT - Pipe Tongs



### PRODUCT FEATURES:

- Pipe Tongs are made of sturdy construction to handle pipe, round bars and cast pipe.
- Tongs are provided with steel curved gripping arms.
- Optional replaceable polyurethane pads available to protect smooth or polished surfaces.
- Load must be balanced and controlled when lifting.
- Use in pairs with a lifting/spreader beam for added stability.
- Complies with ASME standards.

**INSTOCK PROGRAM**

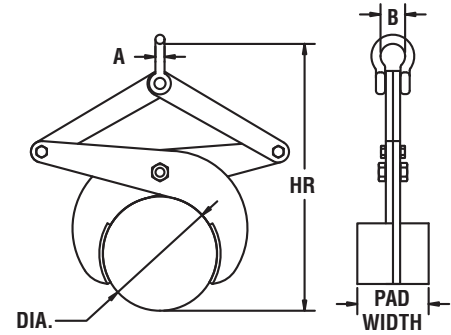
**QUICKSHIP PROGRAM**

### SPECIFICATIONS - Fixed Diameter

Model Number	Rated Capacity (lbs.)	Dia. (in.)	HR Headroom (in.)	A (in.)	B (in.)	Weight (lbs.)
108-1/2-5	1000	5	15.50	0.5	1.31	17
108-1-8	2000	8	23.50	0.5	1.31	25

### SPECIFICATIONS - Adjustable Diameter

Model Number	Rated Capacity (lbs.)	Bare Steel Range Min.-Max. (in.)	Urethane Pad Range Min.-Max. (in.)	HR Headroom Min.-Max. (in.)	Pad Width (in.)	A (in.)	B (in.)	Wt. (lbs.)
108-1/2-2/4	1000	2 - 4	1.25 - 3.25	11.21 - 15.15	2.5	0.5	1.31	8
108-1-4/8	2000	4 - 8	3.25 - 7.25	19.18 - 26.49	5	0.5	1.31	29
108-1-7/12	2000	7 - 12	6.25 - 11.25	25.95 - 35.81	6	0.5	1.31	49
108-1-10/15	2000	10 - 15	9.25 - 14.25	30.03 - 38.67	6	0.5	1.31	77
108-1-15/20	2000	15 - 20	14.25 - 19.25	59.53 - 64.72	8	.97	2.28	225



## Operation



**WARNING**  
 Use only for vertical lifting.