



SERIES 602 & 603

MINI RATCHET LEVER HOISTS

SERIES 602 WORKING LOAD LIMIT: 550 LBS.
SERIES 603 WORKING LOAD LIMIT: 1,100 LBS.

The CM Series 602 & 603 Mini-Ratchet Lever Hoists are the most compact ratchet lever hoists on the market. They perform just like the larger models, but can be easily transported and stored in a toolbox.

BENEFITS & FEATURES

- Plated load chain is standard.
- Weston-type load brake.
- Rubber hand grip for better comfort and security.
- Lightweight design for easy portability. Use in confined spaces with one-hand operation.
- Forged upper and lower hooks with latches standard.
- Impact-resistant, all-steel frame, gear case and cover.
- Hardened link-type alloy steel load chain for strength and long wear.
- Free wheeling feature allows for quick load attachment.
- Metric rated.



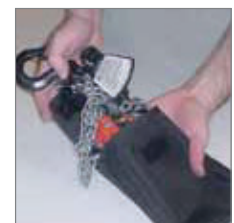
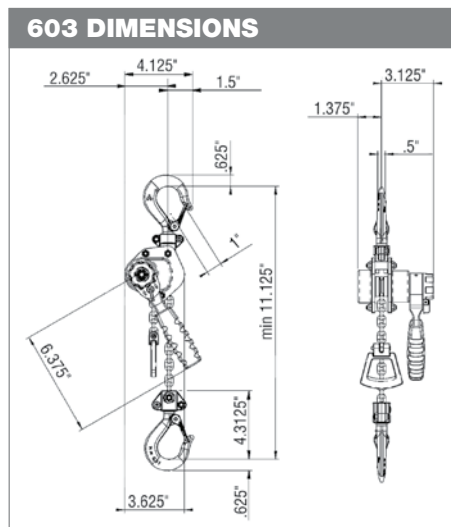
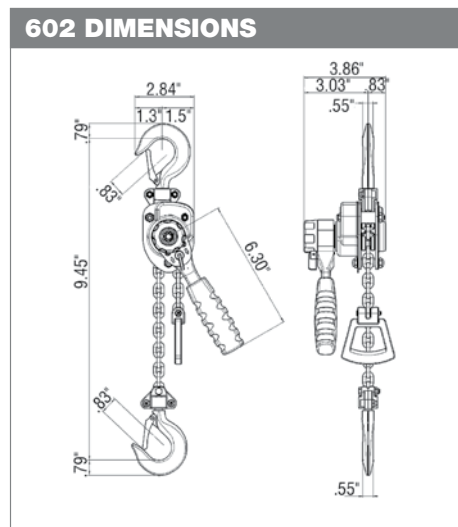
SERIES 602

SERIES 603

Product Code	Model Number	Rated Capacity		Lift (ft.)	Number of Chainfalls	Minimum Distance Between Hooks (in.)	Lift with One Full Lever Turn (in.)	Handle Length (in.)	Handle Pull @ W.L.L. (lbs.)	Weight (lbs.)
		lbs.	kg.							
0210	Series 602	550	250	5	1	9.45	3.15	6.300	56	6.0
0214	Series 602	550	250	10	1	9.45	3.15	6.300	56	7.0
0212	Series 602 Carry Bag	-	-	-	-	-	-	-	-	0.3
0215	Series 603	1,100	500	5	1	11.125	1.57	6.375	78	7.0
0216	Series 603	1,100	500	10	1	11.125	1.57	6.375	78	8.0
0217	Series 603 Carry Bag	-	-	-	-	-	-	-	-	0.3



Perform just like larger hoists, but small enough to fit in the palm of your hand.



Convenient Carry Bag

Authorized Sales & Service
J. HERBERT CORPORATION
 Call 1-800-255-0588
 407-846-0588 Fax: 846-1066
 info@jherbertcorp.com
 Visit us online:
 www.jherbertcorp.com