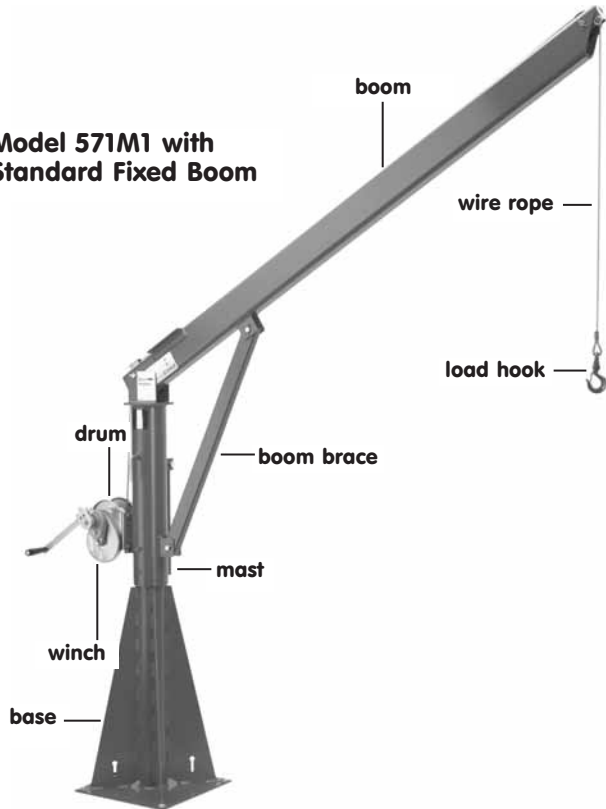


Model 571M1 with Standard Fixed Boom

Model 571M2 with Adjustable Boom Option (screw-jack sold separately)

Series 571 and 572 Fre Rol Davit Cranes

Hand or Power Winch Operation
 Up to 2200 lb capacity

- **Hand Winch Operated Models** include spur gear or worm gear hand winch with brake for load control. Model 571M2 can be drill driven, 400 rpm max.
- **Power Winch Operated Models** include 115 volt 1 phase AC electric winch with pendant control and brake. Other power options available, please contact factory.
- **Fixed Boom** – Boom Position C
- **Adjustable Boom Option** – adjusts between Boom Position A and D – with hand operated ratchet style screw-jack, used to adjust height and reach.
 Optional screw-jack sold separately.
- **Mast and Boom Rotate** on tapered roller bearings for smooth 360° load movement. Mast locks in one of four positions with hand tightened lock bolt. Handle on the mast makes rotation easy.
- **Gusset Style Base** for permanent installation and stability under load.
- **Epoxy Finish** available for improved protection against corrosion.
- **Wire Rope Assemblies** sold separately. See tables on following pages.
- **Two-year Limited Warranty**

Authorized Sales & Service
J. HERBERT CORPORATION
 Call 1-800-255-0588
 407-846-0588 Fax: 846-1066
 info@jherbertcorp.com

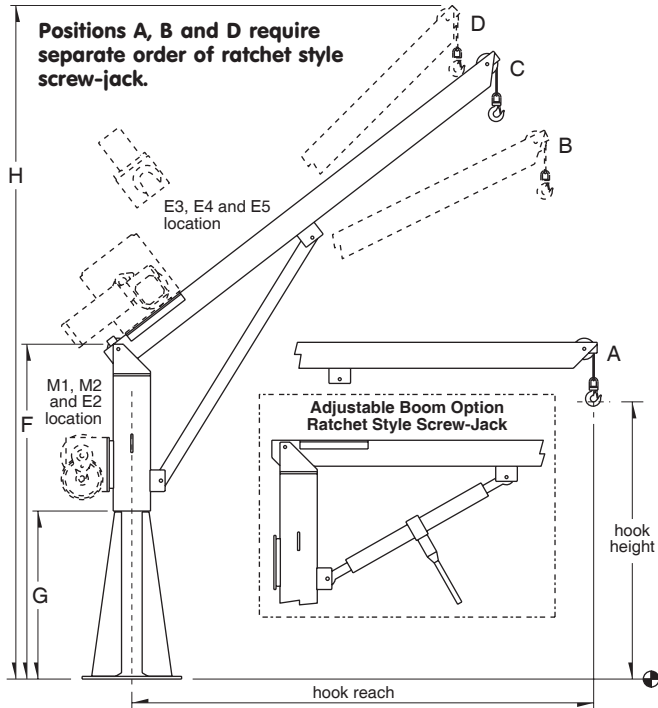
Visit us online:
www.jherbertcorp.com

Series 571 and 572 – Crane Configurations, Bases, and Options – Section 4

| model | description | approx. ship wt. |
|-------|--|------------------|
| 571M1 | up to 1500 lb – with M4312PB-K spur gear hand winch | 425 lb |
| 571M2 | up to 1500 lb – with 4WM2V-K worm gear hand winch | 450 lb |
| 571E2 | up to 1500 lb – with 4WP2-K electric winch – 115 VAC, 1 phase, 6 ft pendant control | 475 lb |
| 571E4 | up to 1500 lb – with 4777-K electric winch – 115 VAC, 1 phase, 6 ft pendant control | 489 lb |
| 572M1 | up to 2200 lb – with M452B-K spur gear hand winch | 720 lb |
| 572E3 | up to 2000 lb – with 4771-K electric winch – 115 VAC, 1 phase, 6 ft pendant control | 750 lb |
| 572E5 | up to 2200 lb – with 4WS3M6-K electric winch – 115 VAC, 1 phase, 6 ft pendant control (other configurations available, please contact factory) | 1050 lb |
| SJ1 | ratchet style screw-jack for Series 571 (replaces standard boom brace) | 37 lb |
| SJ2 | ratchet style screw-jack for Series 572 (replaces standard boom brace) | 97 lb |

Please contact factory or nearest Thern Distributor for firm fixed price and delivery.

See Dimensions on Next Page



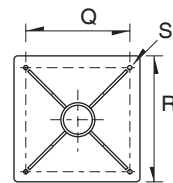
Series 571 and 572 Crane Dimensions

| | Series 571 | Series 572 |
|---------------|------------|------------|
| F | 67.19 in | 77.41 in |
| G | 32.88 in | 38.62 in |
| H | 131.19 in | 155.75 in |
| Q | 16.00 in | 20.00 in |
| R | 18.00 in | 23.00 in |
| S (hole dia.) | .56 in | .81 in |

Dimensions are for reference only and subject to change without notice.

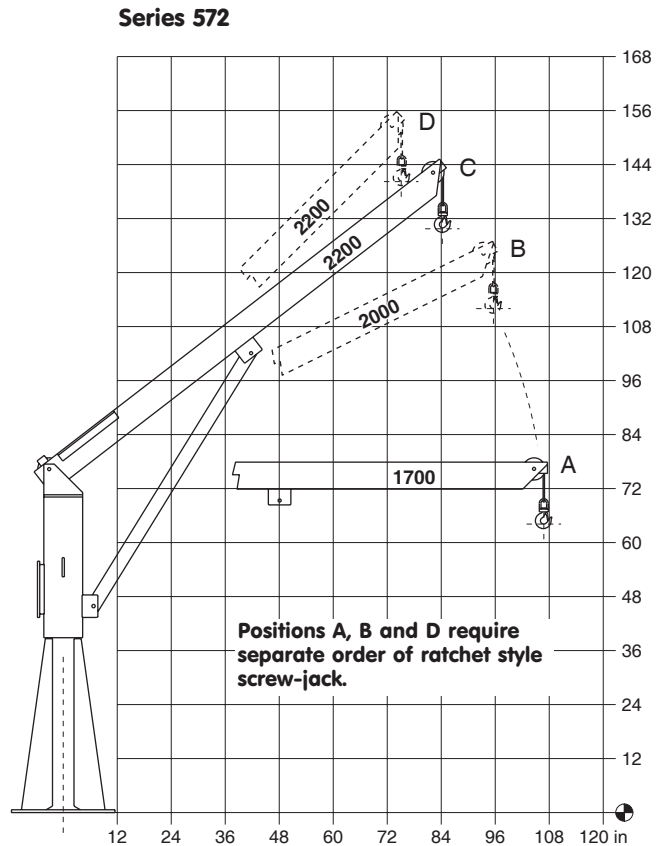
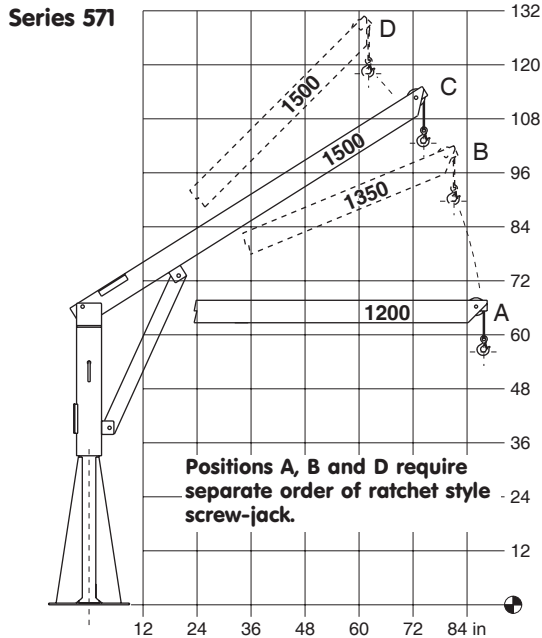
Important:

Load rating will vary with wire rope length and boom position. Please see Performance Characteristics table on the following page.



Important:

It is the owner's or operator's responsibility to determine the suitability of the equipment to its intended use. Study all applicable codes, manuals, and regulations. Be sure to read the Owner's Manual supplied with the equipment before operating it.



Series 571 and 572 – Height and Reach

| series | boom position | hook reach | hook height |
|--------|----------------|------------|-------------|
| 571 | A ¹ | 87.88 in | 56.00 in |
| | B ¹ | 81.25 in | 90.00 in |
| | C (fixed) | 74.56 in | 102.00 in |
| | D ¹ | 62.25 in | 118.00 in |
| 572 | A ¹ | 106.75 in | 64.00 in |
| | B ¹ | 95.50 in | 112.00 in |
| | C (fixed) | 84.25 in | 130.00 in |
| | D ¹ | 75.00 in | 140.00 in |

Dimensions are for reference only and subject to change without notice.

¹ Boom position requires purchasing the screw-jack option.

Important:

Base installation is purchaser's responsibility. Thern recommends consulting a civil engineer or other qualified professional.

WIRE ROPE ASSEMBLIES – sold separately

- Galvanized or Stainless Steel wire rope assemblies.

Wire Rope Assemblies – Section 9

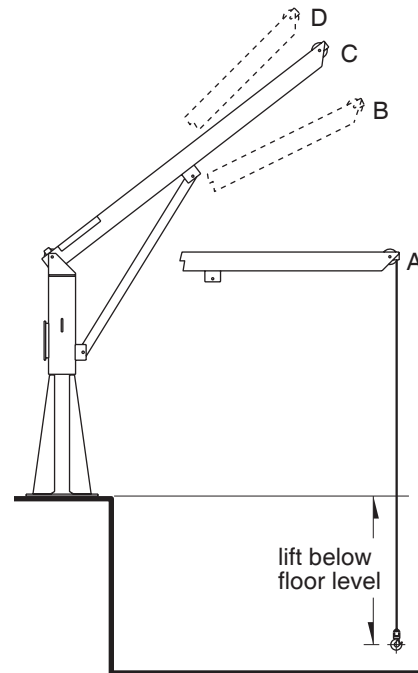
| model number | wire rope diameter x length | approx. ship weight |
|--|-----------------------------|---------------------|
| galvanized aircraft cable with swivel hook and swaged ball fitting | | |
| WA25-28NS | 1/4 in x 28 ft | 5 lb |
| WA25-36NS | 1/4 in x 36 ft | 6 lb |
| WA25-45NS | 1/4 in x 45 ft | 7 lb |
| WA25-60NS | 1/4 in x 60 ft | 9 lb |
| WA25-75NS | 1/4 in x 75 ft | 10 lb |
| 304 stainless steel wire rope with SS eye hook and swaged ball fitting - swivel hook also available please contact factory | | |
| WS25-28NE | 1/4 in x 28 ft | 5 lb |
| WS25-36NE | 1/4 in x 36 ft | 6 lb |
| WS25-45NE | 1/4 in x 45 ft | 7 lb |
| WS25-60NE | 1/4 in x 60 ft | 8 lb |
| WS25-75NE | 1/4 in x 75 ft | 10 lb |
| galvanized aircraft cable with swivel hook and unfinished end | | |
| WA31-28DS | 5/16 in x 28 ft | 7 lb |
| WA31-36DS | 5/16 in x 36 ft | 9 lb |
| WA31-45DS | 5/16 in x 45 ft | 10 lb |
| WA31-60DS | 5/16 in x 60 ft | 13 lb |
| WA31-75DS | 5/16 in x 75 ft | 15 lb |
| 304 stainless steel wire rope with SS eye hook and unfinished end - swivel hook also available please contact factory | | |
| WS31-28DE | 5/16 in x 28 ft | 7 lb |
| WS31-36DE | 5/16 in x 36 ft | 9 lb |
| WS31-45DE | 5/16 in x 45 ft | 11 lb |
| WS31-60DE | 5/16 in x 60 ft | 14 lb |
| WS31-75DE | 5/16 in x 75 ft | 17 lb |

Please contact factory or nearest Thern Distributor for firm fixed price and delivery.

Important:

It is the owner's or operator's responsibility to determine the suitability of the equipment to its intended use. Study all applicable codes, manuals, and regulations. Be sure to read the Owner's Manual supplied with the equipment before operating it.

Positions A, B and D require separate order of ratchet style screw-jack.


Series 571 Performance Characteristics

| wire rope dia. | wire rope length | load rating for 571M1, 571M2 and 571E2 | | | | load rating for 571E4 ¹ | | | | lift below floor level (min – max) ² |
|----------------|------------------|--|------------|------------|------------|------------------------------------|------------|------------|------------|---|
| | | position A | position B | position C | position D | position A | position B | position C | position D | |
| 1/4 in | 28 ft | 1200 lb | 1350 lb | 1500 lb | 1500 lb | 1200 lb | 1350 lb | 1500 lb | 1500 lb | 4 – 9 ft |
| 1/4 in | 36 ft | 1200 lb | 1350 lb | 1500 lb | 1500 lb | 1200 lb | 1350 lb | 1500 lb | 1500 lb | 12 – 17 ft |
| 1/4 in | 45 ft | 1200 lb | 1350 lb | 1400 lb | 1400 lb | 1200 lb | 1350 lb | 1500 lb | 1500 lb | 21 – 26 ft |
| 1/4 in | 60 ft | 1200 lb | 1300 lb | 1300 lb | 1300 lb | 1200 lb | 1350 lb | 1400 lb | 1400 lb | 36 – 41 ft |
| 1/4 in | 75 ft | – | – | – | – | 1200 lb | 1300 lb | 1300 lb | 1300 lb | 51 – 56 ft |

¹ Add 2 ft to lift below floor level for Model 571E4.

² Lift below floor level varies depending on boom position and winch configuration. For longer lifts contact factory.

Series 572 Performance Characteristics

| wire rope dia. | wire rope length | load rating for 572M1 and 572E5 ¹ | | | | load rating for 572E3 ¹ | | | | lift below floor level (min – max) ² |
|----------------|------------------|--|------------|------------|------------|------------------------------------|------------|------------|------------|---|
| | | position A | position B | position C | position D | position A | position B | position C | position D | |
| 5/16 in | 28 ft | 1700 lb | 2000 lb | 2200 lb | 2200 lb | 1700 lb | 1700 lb | 1700 lb | 1700 lb | -1 – 5 ft |
| 5/16 in | 36 ft | 1700 lb | 2000 lb | 2200 lb | 2200 lb | 1700 lb | 1700 lb | 1700 lb | 1700 lb | 7 – 13 ft |
| 5/16 in | 45 ft | 1700 lb | 2000 lb | 2200 lb | 2200 lb | 1500 lb | 1500 lb | 1500 lb | 1500 lb | 16 – 22 ft |
| 5/16 in | 60 ft | 1700 lb | 2000 lb | 2200 lb | 2200 lb | 1300 lb | 1300 lb | 1300 lb | 1300 lb | 31 – 37 ft |
| 5/16 in | 75 ft | 1700 lb | 2000 lb | 2200 lb | 2200 lb | 1300 lb | 1300 lb | 1300 lb | 1300 lb | 46 – 52 ft |

¹ Add 3 ft to lift below floor level for Model 572E3 and 572E5.

² Lift below floor level varies depending on boom position and winch configuration. For longer lifts contact factory.