

Series 5122 Portable Davit Cranes

Hand Winch Operation Up to 500 lb capacity

Ordering your crane is as easy as 1...2...3...
 Select the option that best suits your needs for each item. Fill in the boxes below to create your crane part number.

1 Crane	2 Winch	3 Optional Finish*
5122		

i.e. 5122M1GAL

*Leave blank for standard powder coat finish

4 Order your **Base, Wire Rope Assembly** and **Optional Accessories** separately. See next page.

■ **Two-year Limited Warranty**

Cranes
Section 4

Crane Model

- **Adjustable Boom** with 2 different positions for operation.
- **Crane Rotates 360°** in a sleeve bearing in the base.
- **Crane** folds down for storage or transport.

1 Base Model 5122 – Section 4

base model	description	approx. ship wt.
5122 ¹	up to 500 lb – portable davit	54 lb

Please contact factory or nearest Thern Distributor for firm fixed price and delivery.

¹ Base Model includes corrosion resistant electrostatic powder coated finish. Other finishes available see Option 3.

Winch Models

- **Hand Winch Operation** with spur gear hand winch equipped with automatic disc brake for load control.
- **Quick Disconnect Anchor** for quickly attaching or removing wire rope equipped with a swaged ball fitting.

2 Winch Options – Section 4

winch	description	approx. ship wt.
M1	M4022PB-K – zinc plated spur gear hand winch	17
M3	M4042PBSS-K – stainless steel spur gear hand winch	24

Optional Finishes

- **Galvanized Finish** provides extra protection against corrosion.
- **Stainless Steel Models** are constructed from all stainless steel with an electro-polished finish for superior corrosion resistance.

3 Optional Finish (crane only) – Section 4

finish	description
GAL	galvanized finish – crane only
SS	stainless steel construction – crane only

4 Series 5122 Bases, Wire Rope Assemblies and Accessories
INDEPENDENT BASES – sold separately

- **Pedestal, Socket, or Wall** mount style.
- **Wheel Base** for floor crane operation. Base includes steel front wheels and rear caster wheels for 360° maneuverability. See Model 514.
- **Important:** Base installation is purchaser's responsibility. Thern recommends consulting a civil engineer or other qualified professional. Contact factory for installation guidelines.

Independent Bases – Section 4

base	description	approx. ship wt.
522	pedestal/socket base – powder coat finish (upright or flush mount)	18 lb
522GAL	pedestal/socket base – galvanized finish (upright or flush mount)	18 lb
522SS	pedestal/socket base – stainless steel (upright or flush mount)	18 lb
522W	wall mount base – powder coat finish	21 lb
522WGAL	wall mount base – galvanized finish	21 lb
522SSW	wall mount base – stainless steel	21 lb
514	wheel base – enamel finish	80 lb

WIRE ROPE ASSEMBLIES – sold separately

- **Galvanized or Stainless Steel** wire rope assemblies with swaged ball fitting to work with the quick disconnect anchor on the winch.

Wire Rope Assemblies – Section 9

model number	wire rope diameter x length	approx. ship weight
galvanized aircraft cable with swivel hook and swaged ball fitting		
WA19-20NS	3/16 in x 20 ft	3 lb
WA19-28NS	3/16 in x 28 ft	4 lb
WA19-36NS	3/16 in x 36 ft	4 lb
WA19-45NS	3/16 in x 45 ft	5 lb
304 stainless steel wire rope with SS oval hook and swaged ball fitting - swivel hook also available please contact factory		
WS19-20NO	3/16 in x 20 ft	3 lb
WS19-28NO	3/16 in x 28 ft	3 lb
WS19-36NO	3/16 in x 36 ft	3 lb
WS19-45NO	3/16 in x 45 ft	4 lb
WS19-60NO	3/16 in x 60 ft	9 lb
WS19-75NO	3/16 in x 75 ft	11 lb

ACCESSORIES – Section 4

Base Cover – plastic cover fits in the mast hole in the base to help keep water from collecting inside the base when the crane is removed.



Model No. TK2P

Cable Spool – 316 stainless steel reel winds up wire rope when detached from crane.

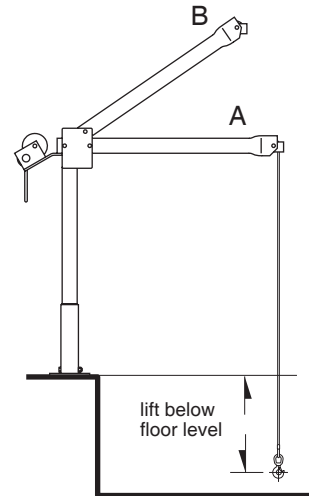


Model No. RW50 12 lb

Wire Rope Keeper – metal bracket attaches to base or other structure to hold free end of the wire rope when detached from crane.



Model No. B1766


Series 5122 Performance Characteristics

wire rope dia.	wire rope length	5122 Series with M1 winch		5122 Series with M3 winch		lift below floor level (min – max) ¹
		load rating position A	load rating position B	load rating position A	load rating position B	
3/16 in	20 ft	500 lb	500 lb	500 lb	500 lb	9 – 10 ft
3/16 in	28 ft	500 lb	500 lb	500 lb	500 lb	17 – 18 ft
3/16 in	36 ft	500 lb	500 lb	500 lb	500 lb	25 – 26 ft
3/16 in	45 ft	500 lb	500 lb	500 lb	500 lb	34 – 35 ft
3/16 in	60 ft	–	–	500 lb	500 lb	49 – 50 ft
3/16 in	75 ft	–	–	500 lb	500 lb	64 – 65 ft

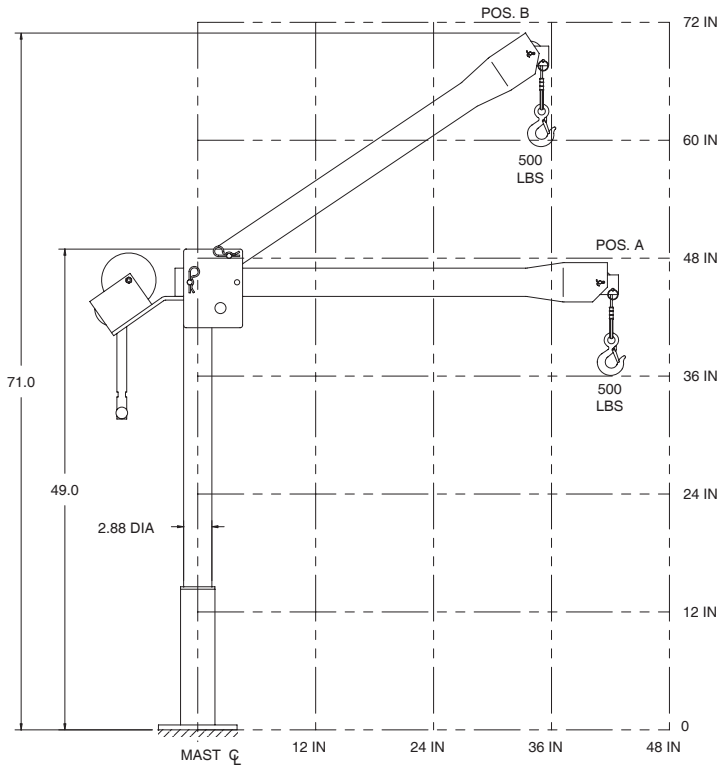
¹ Lift below floor level varies depending on boom position and base configuration. For longer lifts, please contact factory.

Important:

It is the owner's or operator's responsibility to determine the suitability of the equipment to its intended use. Study all applicable codes, manuals, and regulations. Be sure to read the Owner's Manual supplied with the equipment before operating it.

See Dimensions on Next Page

5122 with pedestal/socket base mounted upright

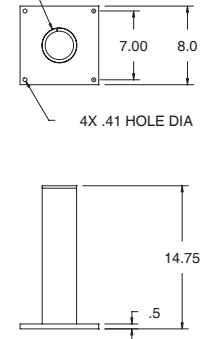


5122 Upright – Height and Reach

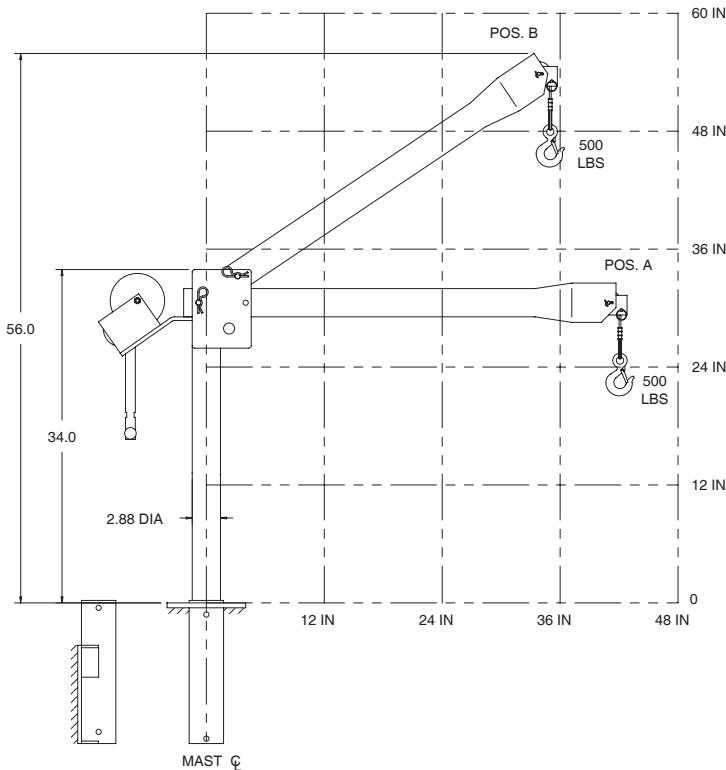
boom position	hook reach	hook height
A	42 in	37 in
B	35 in	60 in

Dimensions are for reference only and subject to change without notice.

522 and 522GAL
3.5 X 3/16 TUBE STEEL
522SS
3.0 SCH 40 PIPE



**5122 with wall mount base
or pedestal/socket base mounted flush**

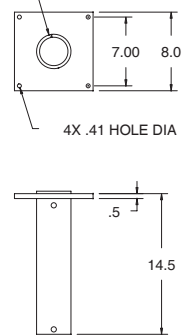


5122 Flush – Height and Reach

boom position	hook reach	hook height
A	42 in	22 in
B	35 in	45 in

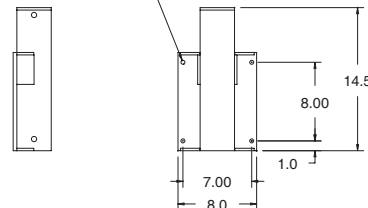
Dimensions are for reference only and subject to change without notice.

522F and 522FGAL
3.5 X 3/16 TUBE STEEL
522SSF
3.0 SCH 40 PIPE



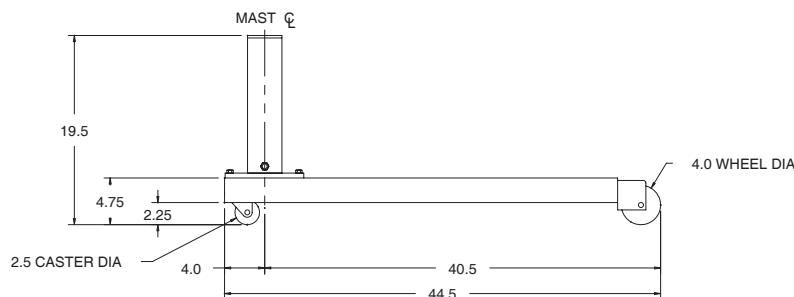
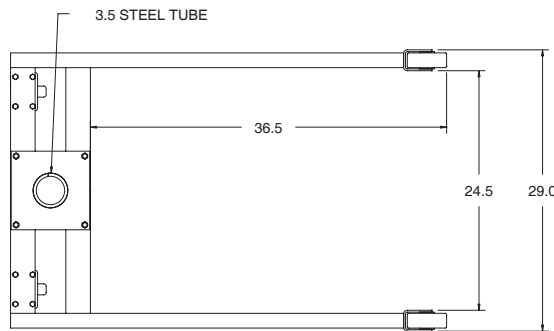
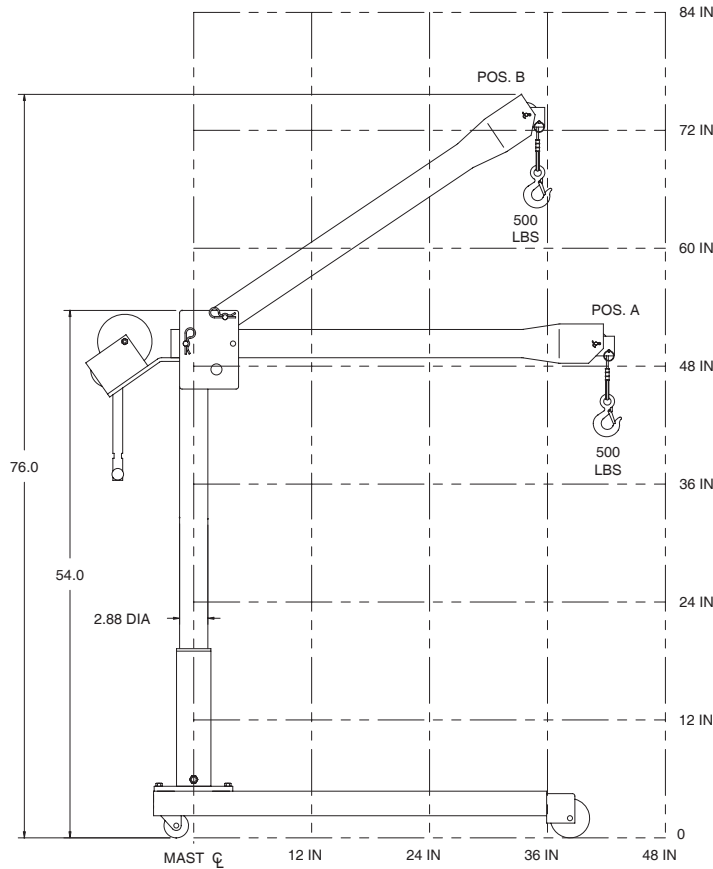
522W and 522WGAL
3.5 X 3/16 TUBE STEEL
522SSW
3.0 SCH 40 PIPE

4X .41 HOLE DIA



See Additional Dimensions on Next Page

5122 with Model 514 wheel base



5122 with 514 Wheel Base –
Height and Reach

boom position	hook reach	hook height
A	42 in	42 in
B	35 in	65 in

Dimensions are for reference only and subject to change without notice.

Important:

Crane DOES NOT rotate in base when assembled in 514 wheel base.



Wheel Base sold separately for floor crane operation. See Wheel Base Model 514 on page 31.

Authorized Sales & Service
J. HERBERT CORPORATION
Call 1-800-255-0588
407-846-0588 Fax: 846-1066
info@jherbertcorp.com
Visit us online:
www.jherbertcorp.com

Important:
It is the owner's or operator's responsibility to determine the suitability of the equipment to its intended use. Study all applicable codes, manuals, and regulations. Be sure to read the Owner's Manual supplied with the equipment before operating it.