

Electric Worm Gear Series

1500 and 2000 lb (682 and 909 kg) capacity



Standard features:

- Fully reversing, totally enclosed, non-ventilated (TENV) motors; 15 minute duty cycle for EBT1500; 10 for EBT2000
- Spring set, electromagnetically released automatic shoe style brake with manual release for emergency operation
- Bronze worm gear provides automatic self-locking for extra safety
- Fully enclosed anti-friction bearings
- Hand crank for emergency manual operation

- Aluminum frame and drum
- Belt driven

Options:

- Control package:
 - NEMA 4, watertight enclosure
 - NEMA 4, magnetic reversing starters
 - NEMA 3R or 4, pushbutton controls
 - NEMA 1 or 4, reversing drum switch
- Single or three phase motors
- 12" (305 mm) drum
- Free spool feature
- Chain drive
- Electronic overload protection



EBT2000B20-5

Specifications

Model no.	Line pull 2nd layer		Line speed 2nd layer		Duty cycle min	hp	Maximum drum storage for rope diameter of								Shipping weight	
	lbs	kg	fpm	m/min			ft	3/16"	1/4"	5/16"	3/8"	lbs	kg			
EBT1500A20-5	1500	682	20	6	15	1 1/2	338	103	200	61	122	37	87	27	129	59
EBT1500A20-12	1500	682	20	6	15	1 1/2	811	247	600	183	292	89	208	63	145	66
EBT2000B20-5	2000	909	20	6	10	1 1/2	338	103	200	61	122	37	87	27	129	59
EBT2000B20-12	2000	909	20	6	10	1 1/2	811	247	600	83	292	89	208	63	145	66

Notes: For three phase, replace "A" (single) in model number with the letter "B". EBT2000 not available in single phase. A=115/230-1-60, B=230/460-3-60, re-connectable dual voltage. Amp draw at 230v: EBT1500A = 10.5 amps; EBT2000B = 5.0 amps

Line pull / lifting capacity at various rope layers

3/16" (5 mm) wire rope; maximum number of layers: 10

Model number	Cap. layer no. 5 (mid-layer)		Cap. layer no. 10	
	lbs	kg	lbs	kg
EBT1500A20-*	1200	545	900	409
EBT2000B20-*	1600	727	1210	550

1/4" (6 mm) wire rope; maximum number of layers: 10

Model number	Cap. layer no. 3 (mid-layer)		Cap. layer no. 6	
	lbs	kg	lbs	kg
EBT1500A20-*	1140	518	810	368
EBT2000B20-*	1520	691	1080	491

5/16" (8 mm) wire rope; maximum number of layers: 6

Model number	Cap. layer no. 3 (mid-layer)		Cap. layer no. 6	
	lbs	kg	lbs	kg
EBT1500A20-*	1330	605	1000	455
EBT2000B20-*	1780	809	1330	605

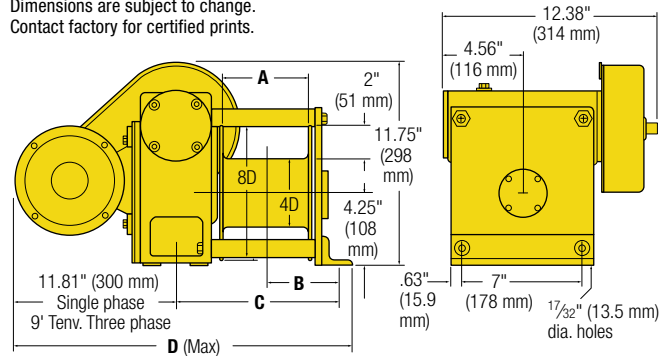
3/8" (10 mm) wire rope; maximum number of layers: 5

Model number	Cap. layer no. 3 (mid-layer)		Cap. layer no. 6	
	lbs	kg	lbs	kg
EBT1500A20-*	1310	595	1040	473
EBT2000B20-*	1740	791	1390	632

Dimensions

Model	Drum length A		B		C		D	
	in.	mm	in.	mm	in.	mm	in.	mm
EBT1500A20-5	5	127	4.38	111	9.44	240	13.63	346
EBT1500A20-12	12	305	7.88	200	16.44	418	20.63	524
EBT2000B20-5	5	127	4.25	108	9.44	240	21.75	552
EBT2000B20-12	12	305	7.75	197	16.44	418	28.75	730

Dimensions are subject to change. Contact factory for certified prints.



How to Order:

Complete the model below by adding the appropriate code for the desired voltage. Add option codes as required. Example: EBT1500B20-5-4C

Series	Line pull 2nd layer (lbs)	Model single/three phase	Line speed 2nd layer (fpm)	Drum length (inches)	Voltage	Options (all factory installed)
EBT	1500	B	20	5	4	C
EBT	1500	A = Single phase		5 = 5 inches (127 mm)	1 = 115V	C = Free spool ²
	2000	B = Three phase		12 = 12 inches (305 mm)	2 = 230V	D1 = NEMA 1 drum switch
					3 = 380V	D4 = NEMA 4 drum switch
					4 = 460V	Q = Special paint; please specify
					5 = 575V	R = Chain drive
						S = Rotary limit switch ²
						Y = Electronic overload ¹

Note: Magnetic reversing starter and pushbutton controls are sold separately.
 1 Requires the purchase of a magnetic reversing starter (see control options)
 2 Mutually exclusive-cannot provide both (C & S) options on same winch.